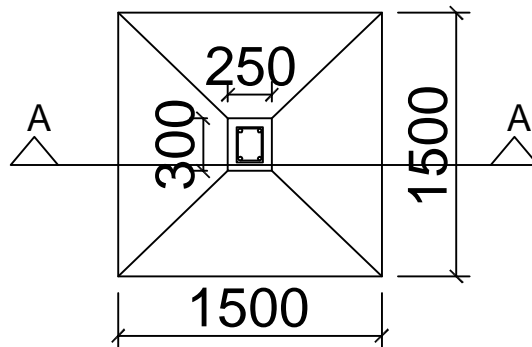


## SECTION A-A



## DETAIL OF FOUNDATION

# Structure Detail