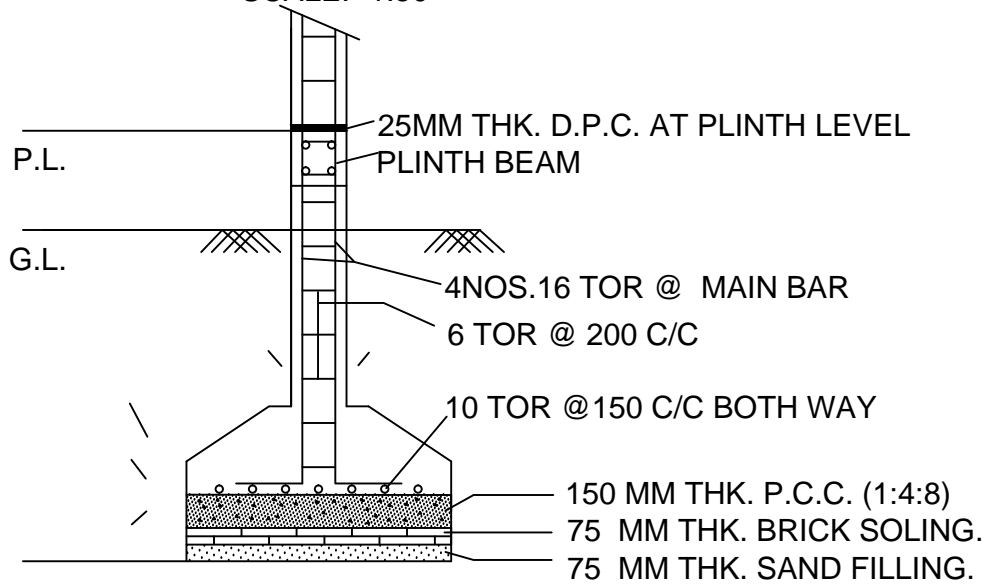


PRODUCED BY AN AUTODESK EDUCATIONAL PRODUCT

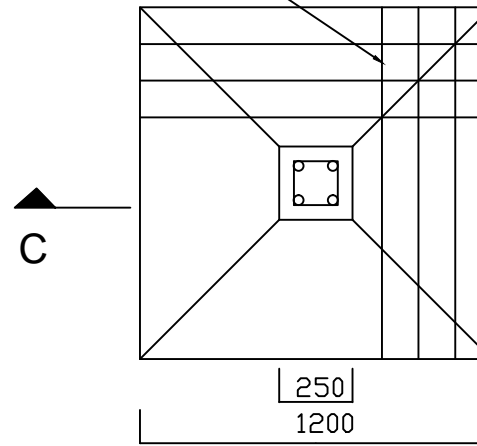
DETAIL OF FOUNDATION

SCALE:- 1:50



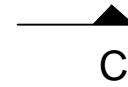
SECTION -CC

10 TOR @ 150 C/C BOTH WAY
R.C.C. JALI



PLAN

75 MM THICK R.C.C.
PERFORATED WALL
OR RING



PRODUCED BY AN AUTODESK EDUCATIONAL PRODUCT

Structure Detail