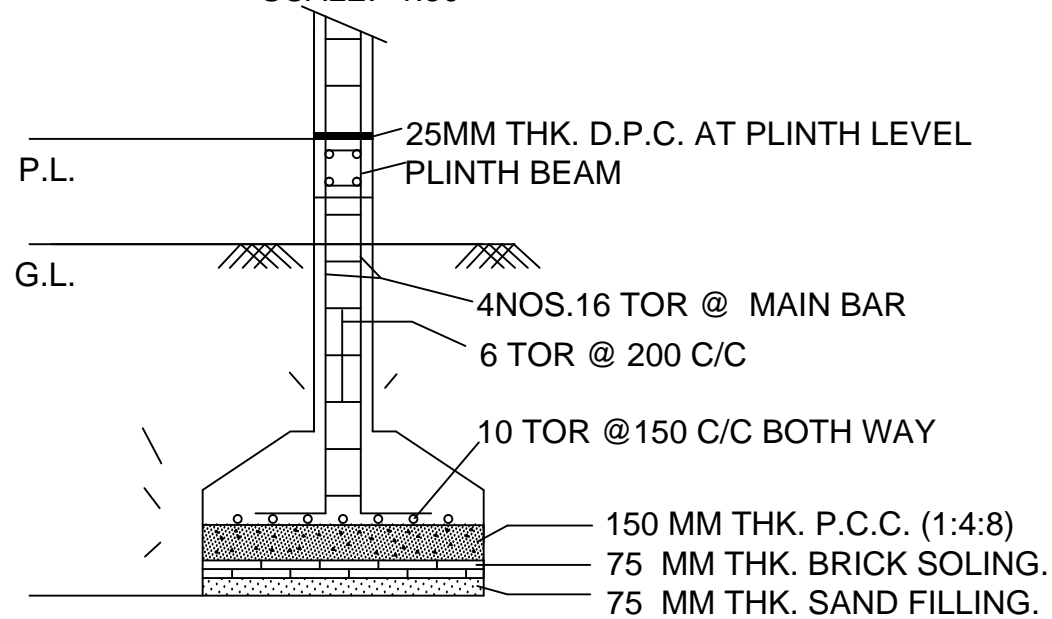


PLAN

DETAIL OF FOUNDATION

SCALE:- 1:50



SECTION -CC