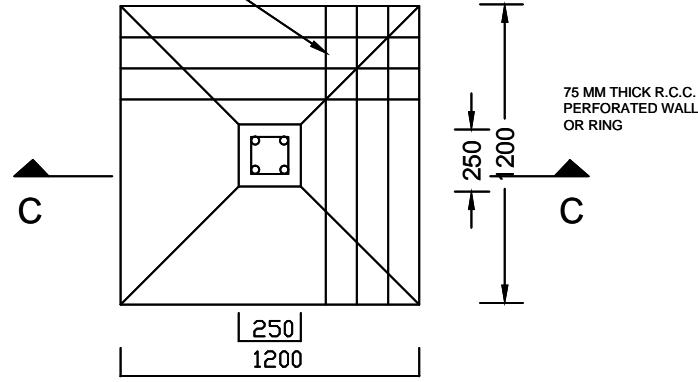


PRODUCED BY AN AUTODESK EDUCATIONAL PRODUCT

10 TOR @150 C/C BOTH WAY

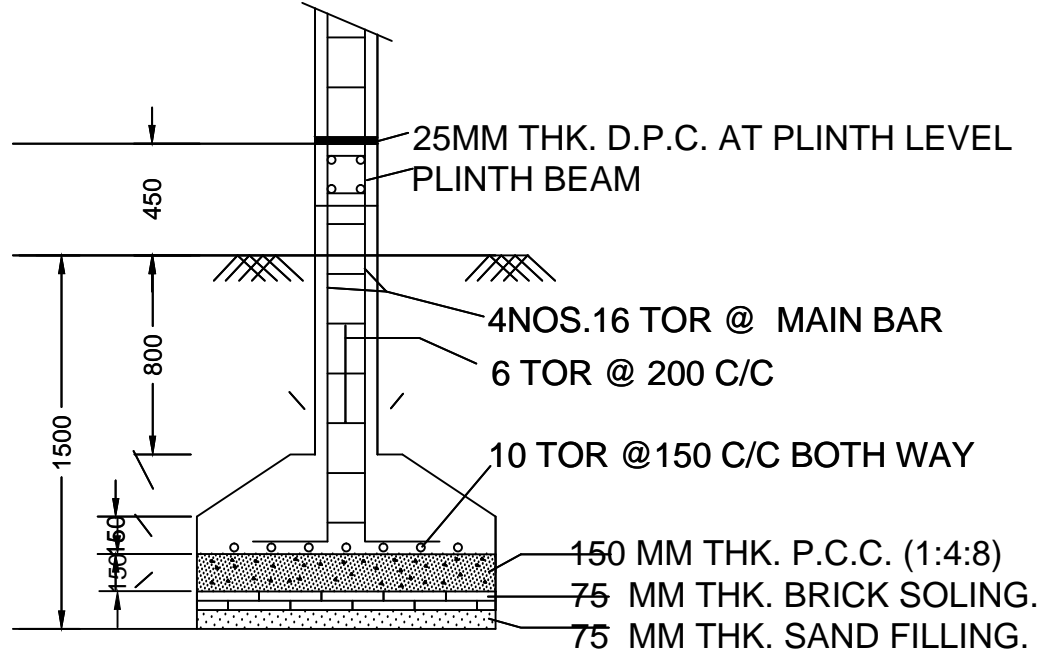
R.C.C. JALI



PLAN

DETAIL OF FOUNDATION

SCALE:- 1:50



SECTION -CC