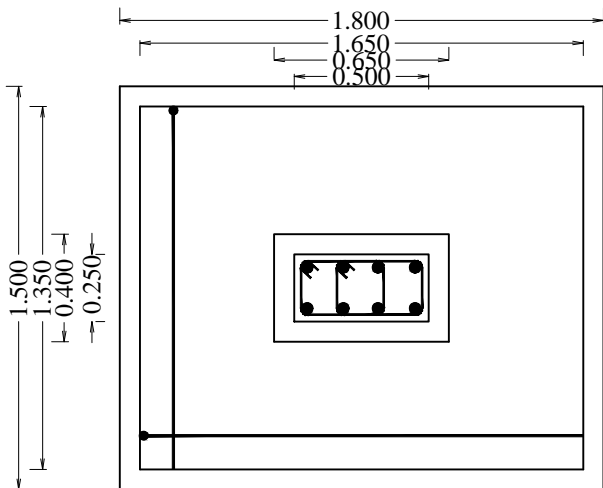
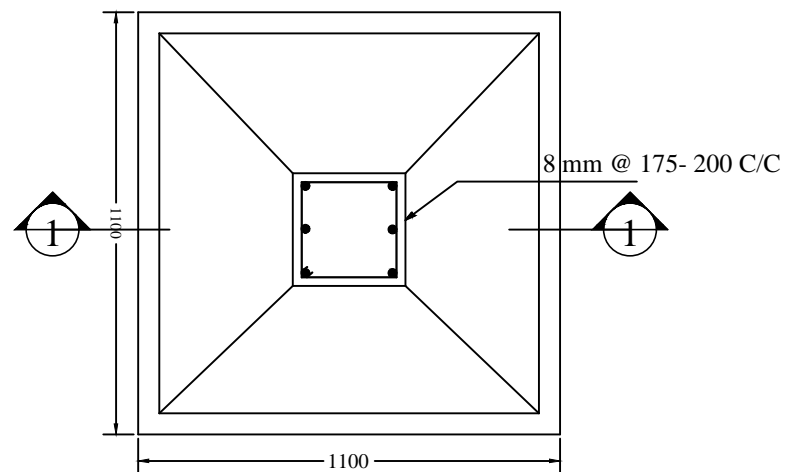
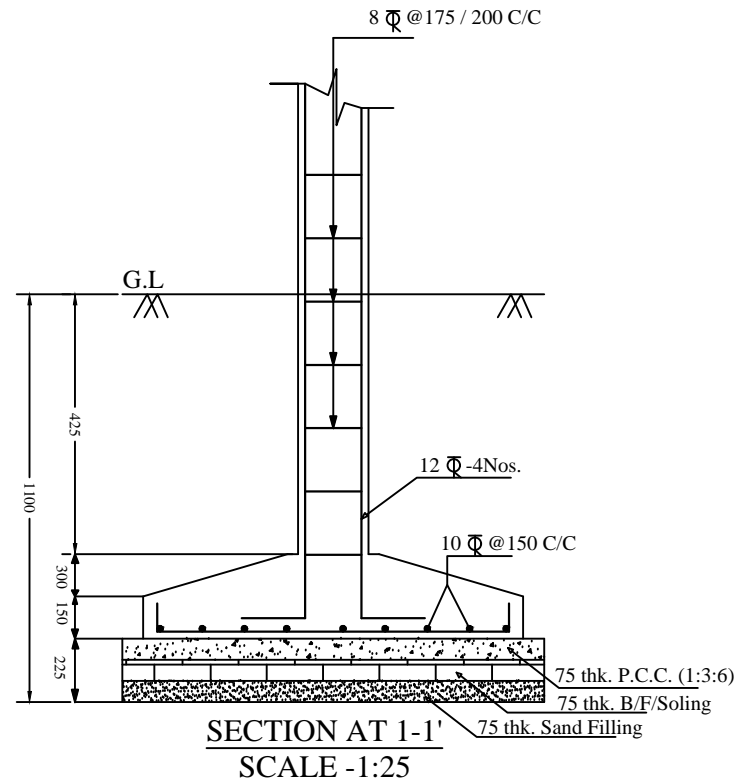


**FOOTING SECTION**



**FOOTING PLAN**



6 Nos.- 12 mm Dia Bar  
**TYPICAL FOUNDATION**  
SCALE - 1:25