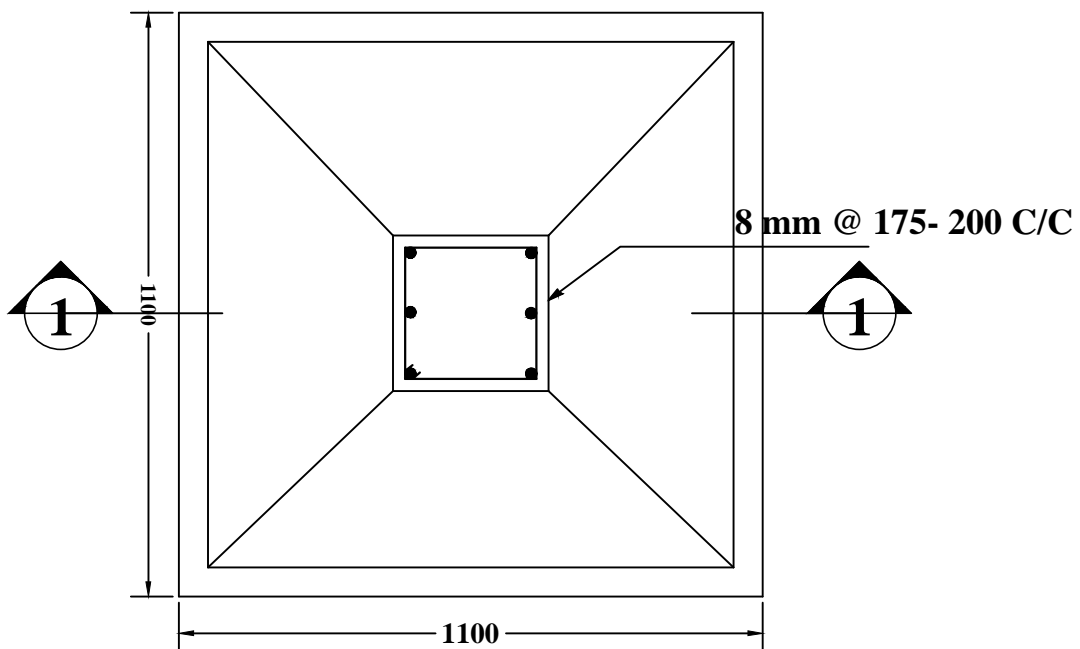


SECTION AT 1-1'
SCALE -1:25



6 Nos.- 12 mm Dia
TYPICAL FOUNDATION

FOOTING DETAILS SCALE -1:25