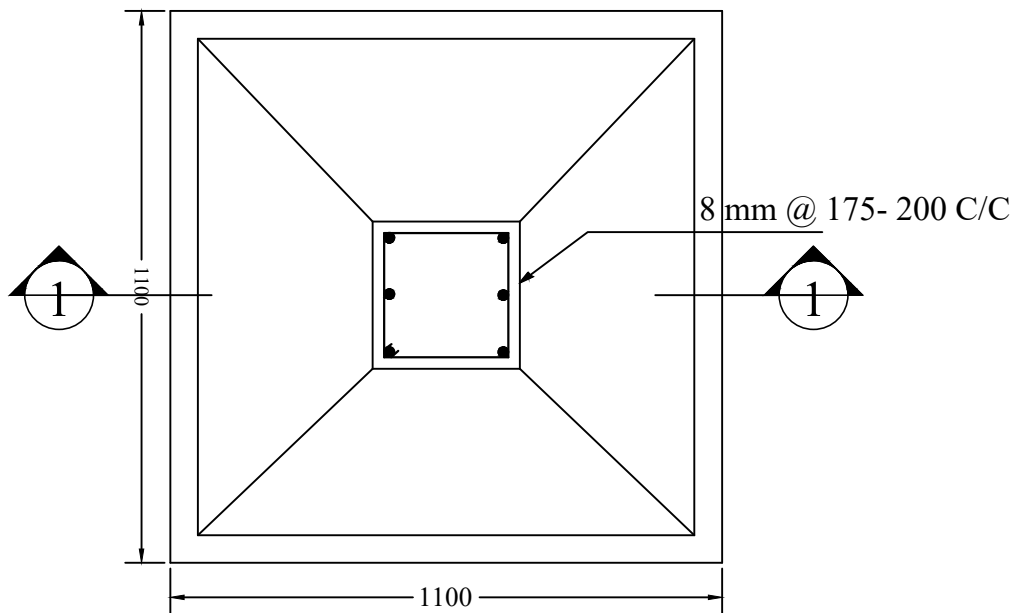


SCALE -1:25



6 Nos.- 12 mm Dia Bar

TYPICAL FOUNDATION

SCALE -1:25