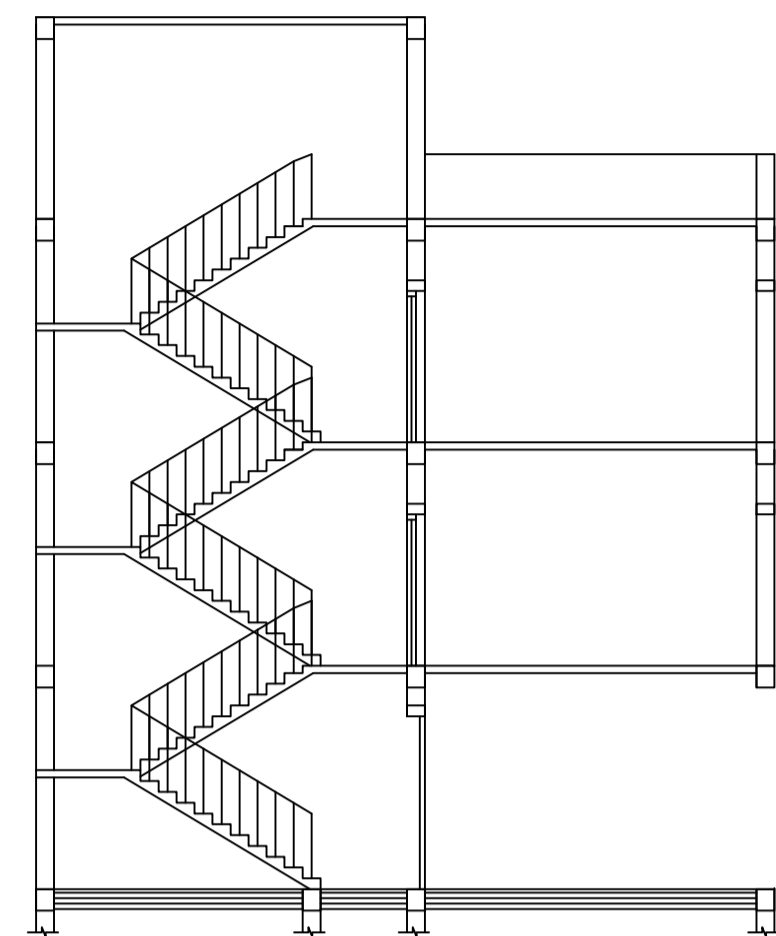
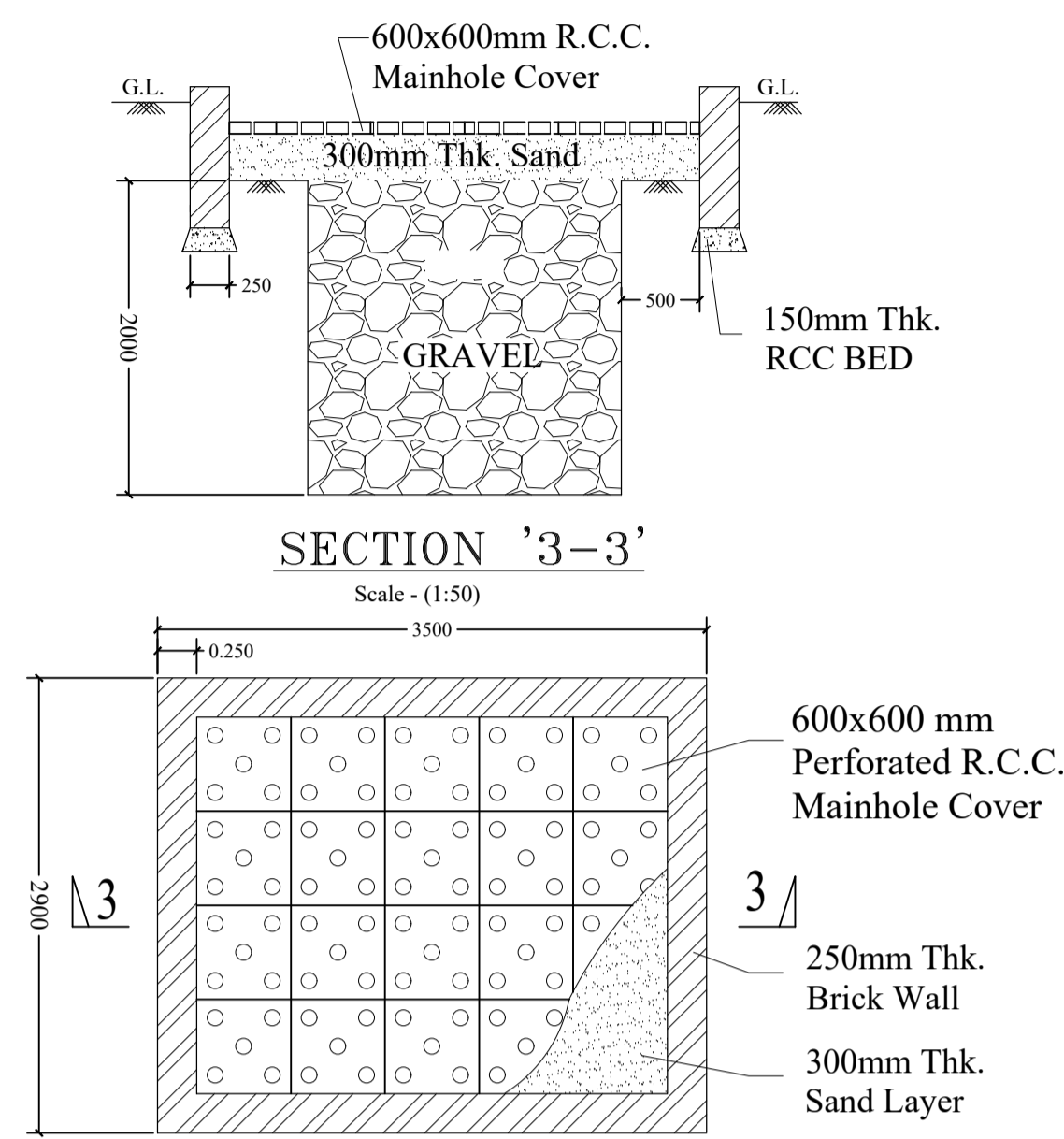


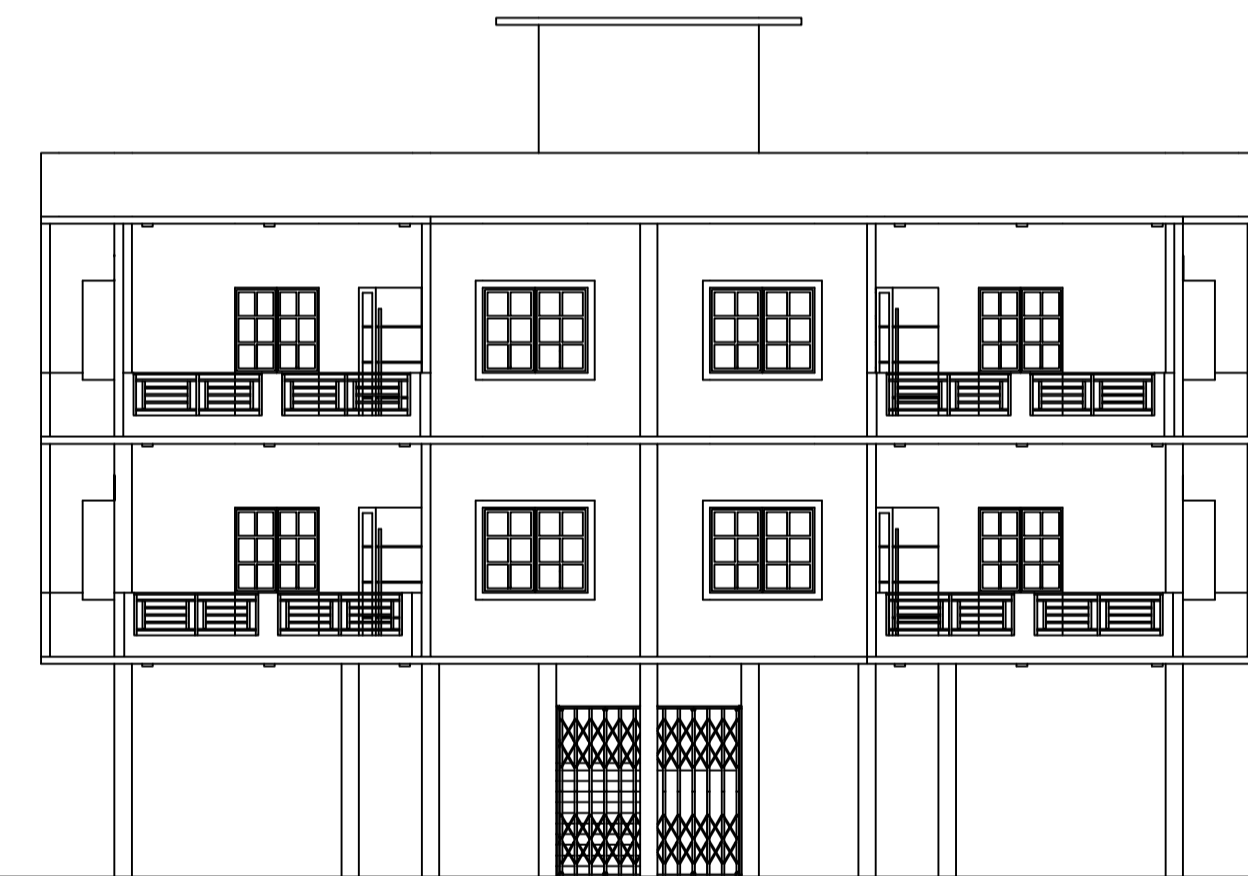
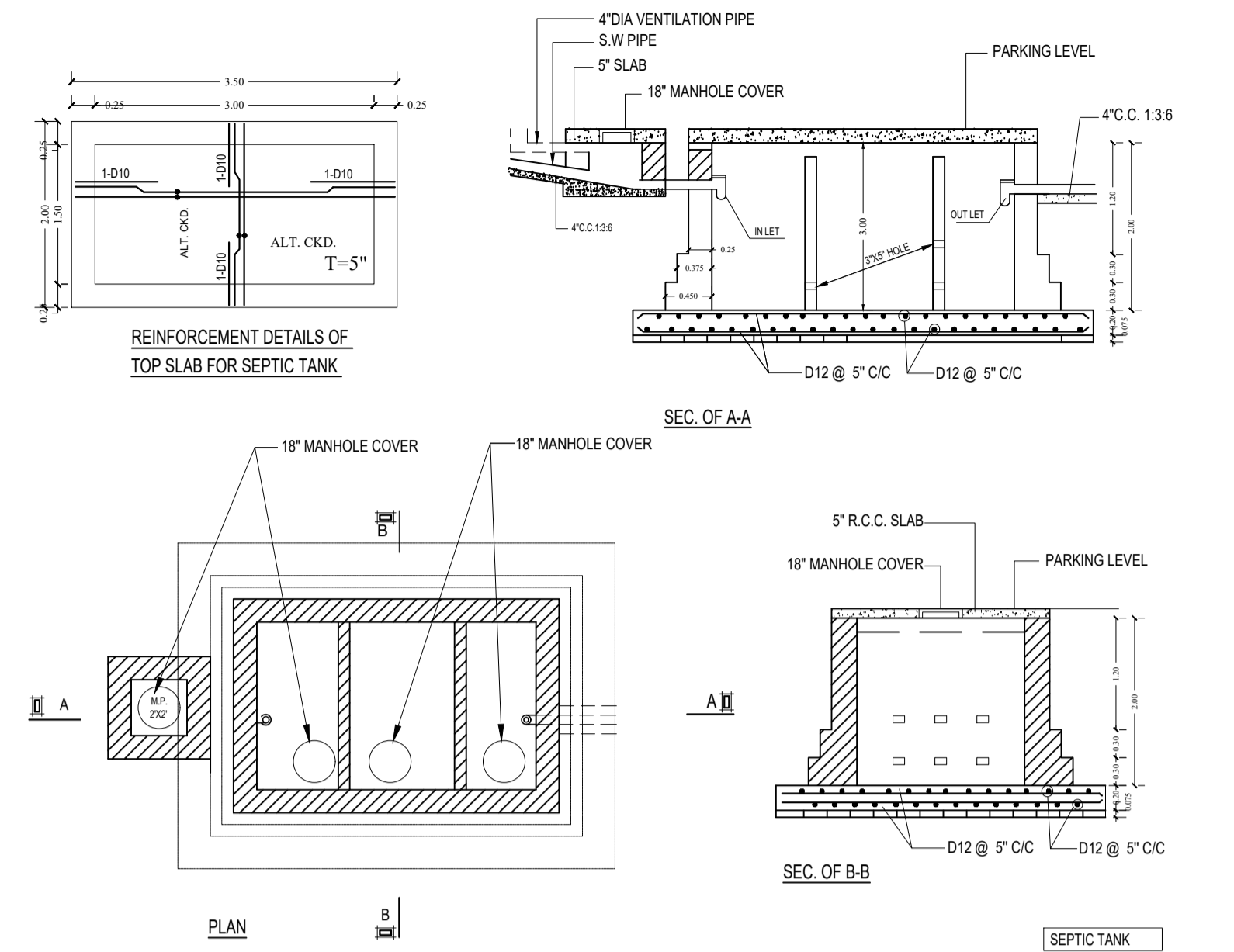
SECTION AT X-X



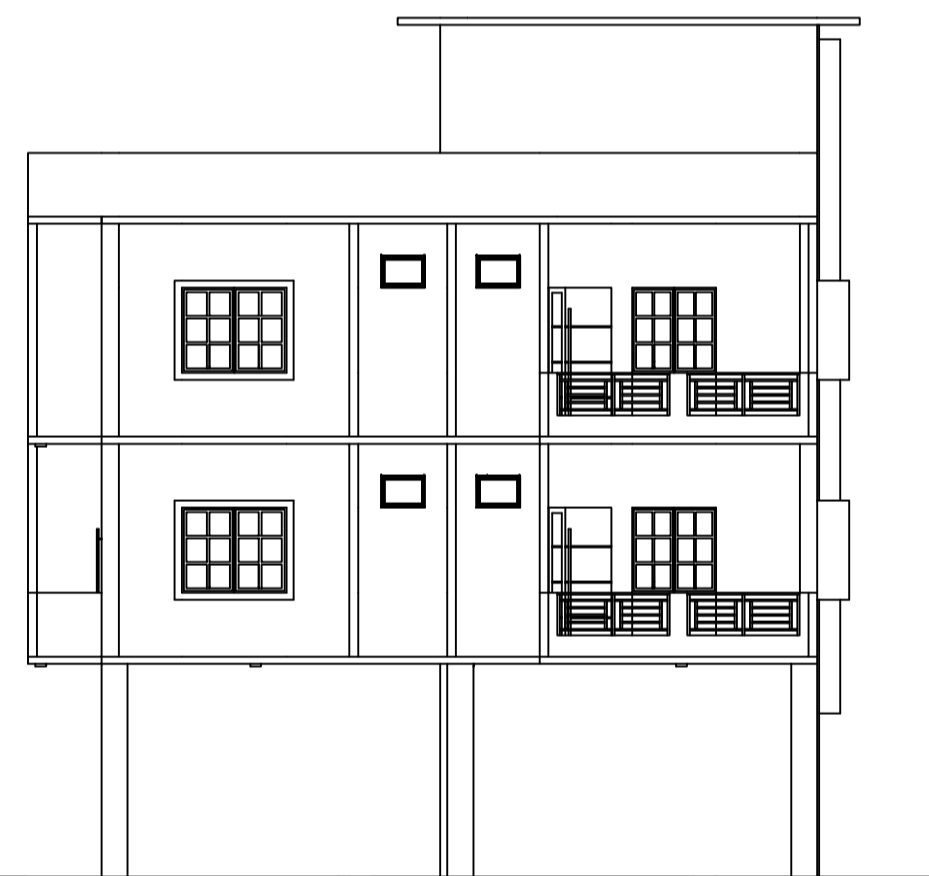
SECTION AT Y-Y



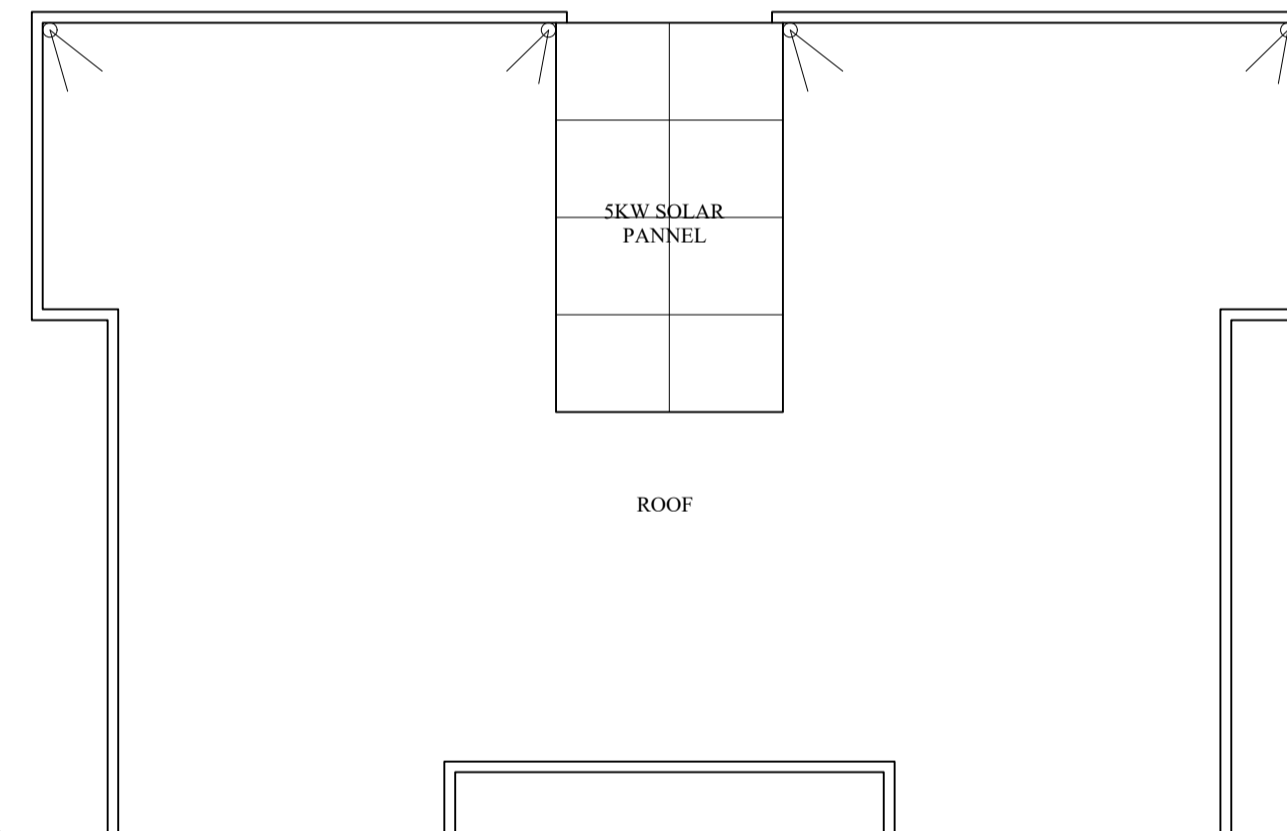
PLAN OF RAIN WATER RECHARGE PIT
Scale - (1:50)



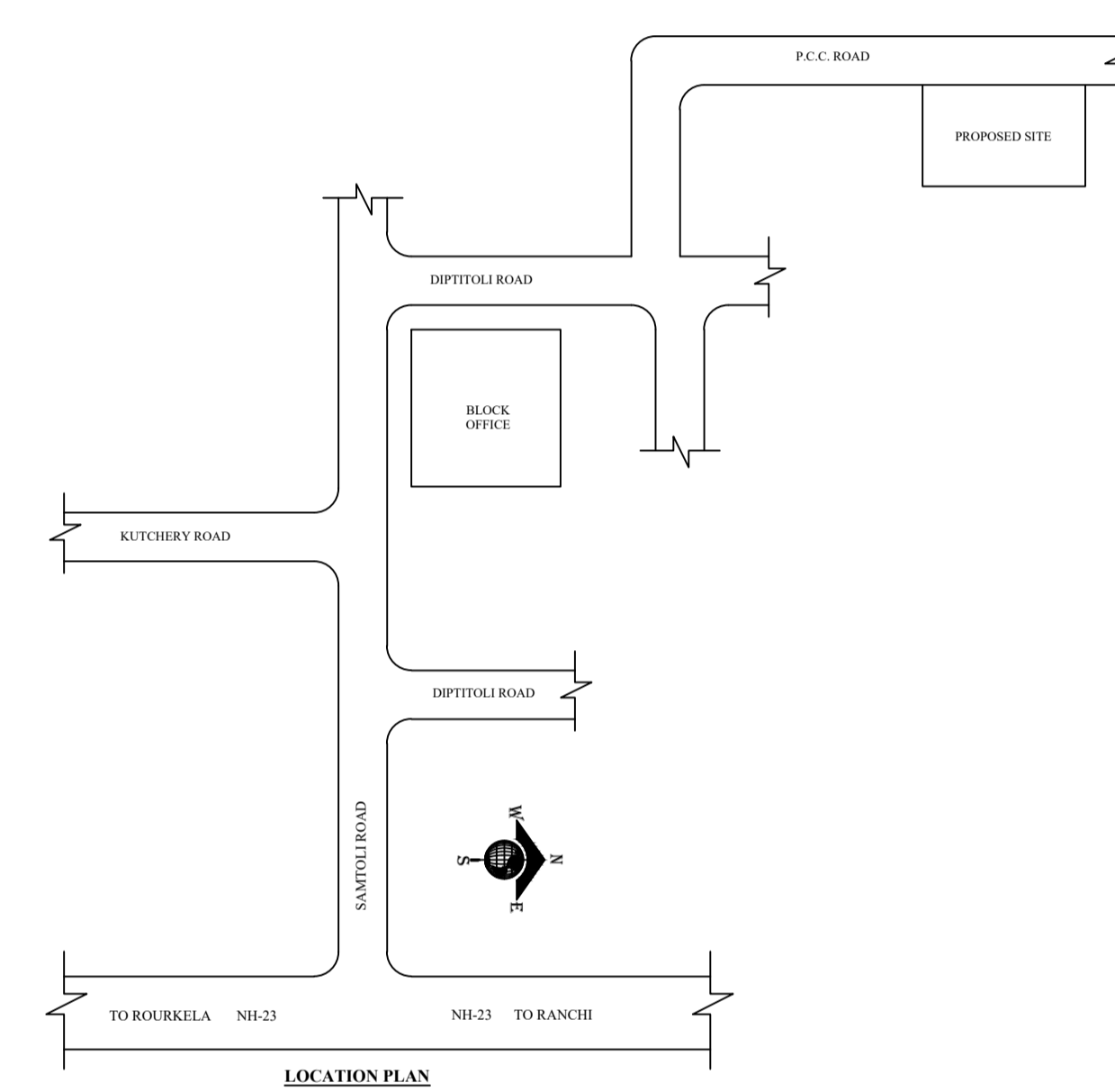
FRONT ELEVATION



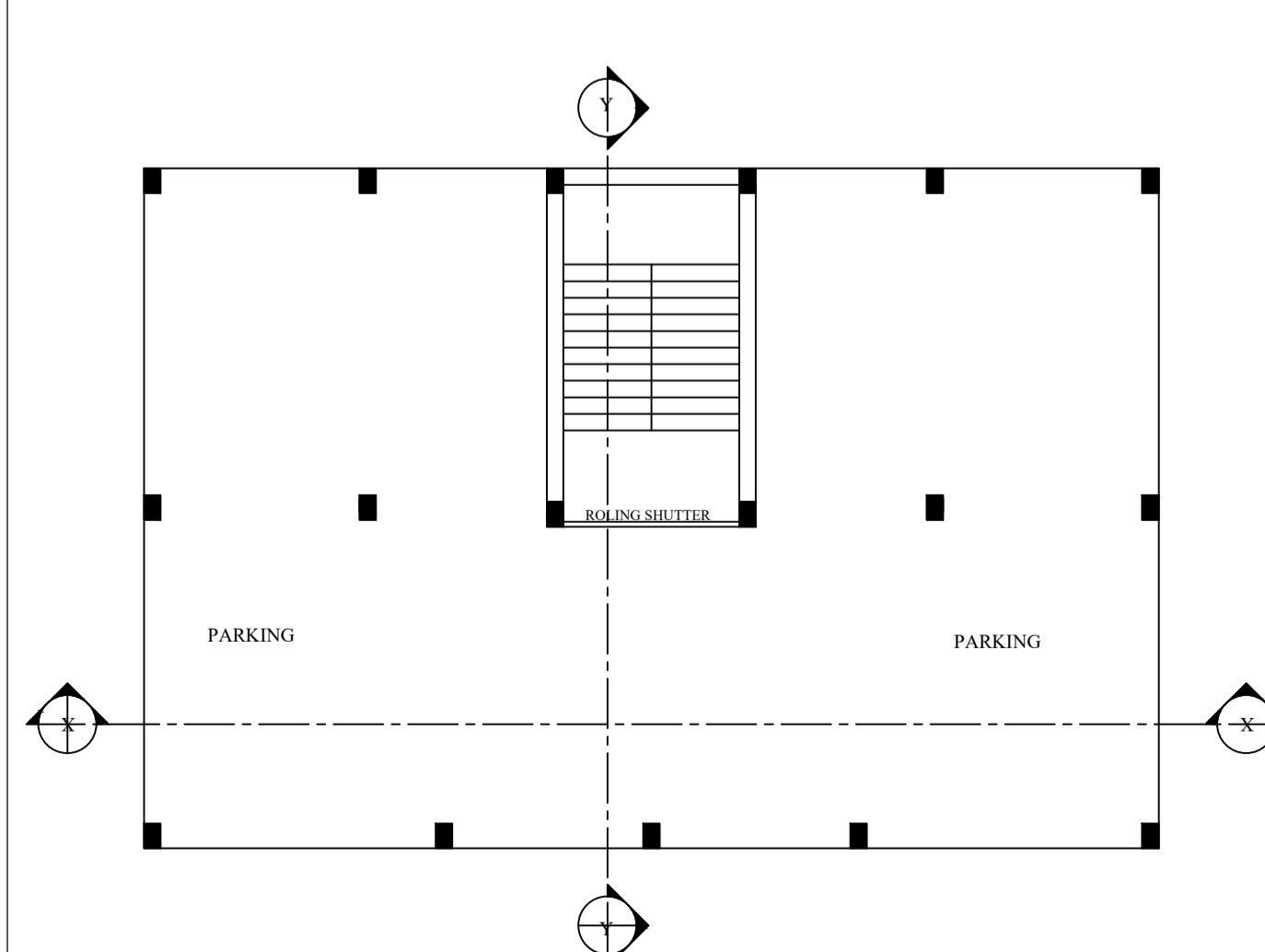
SIDE ELEVATION



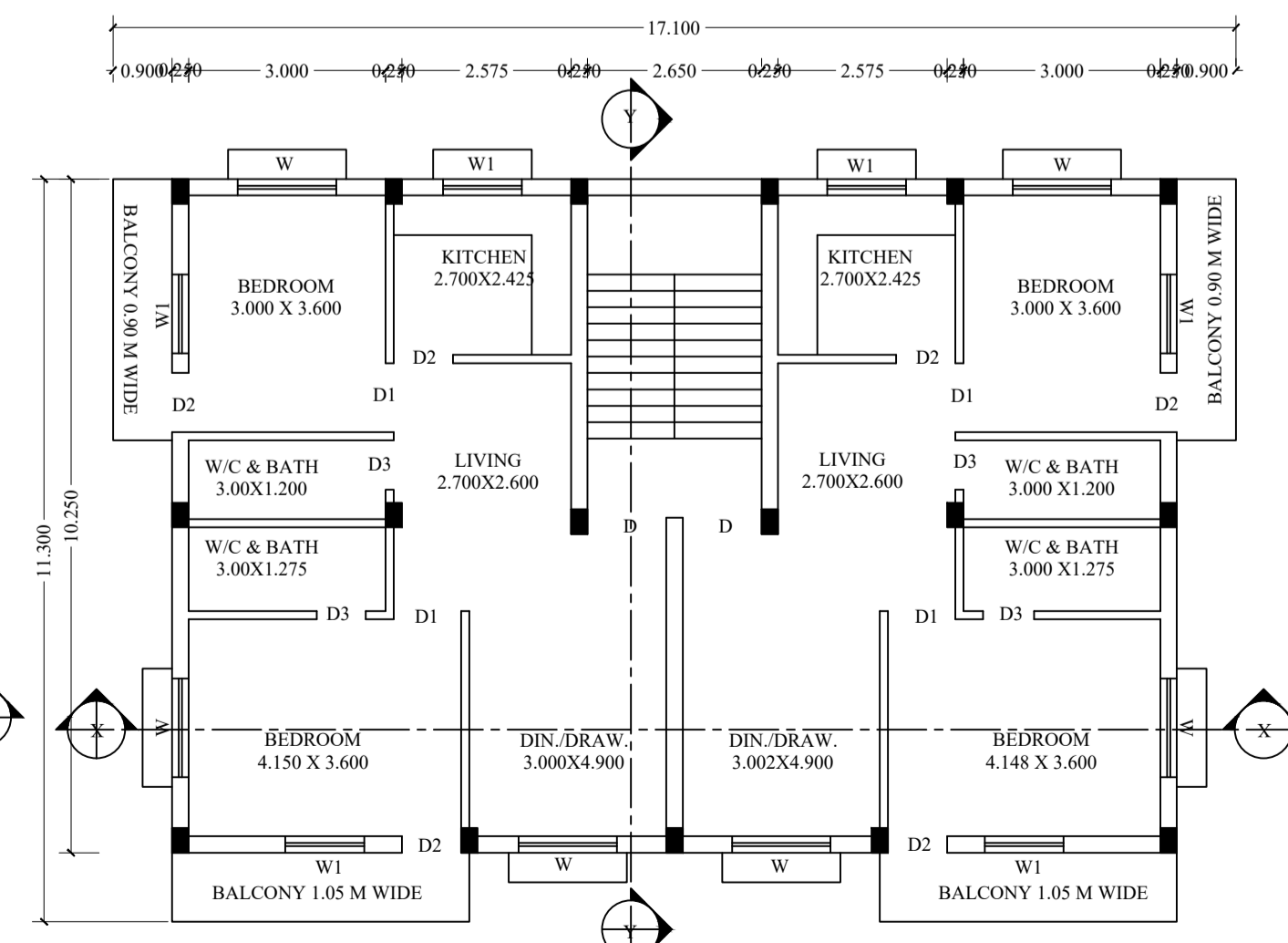
TERRACE PLAN



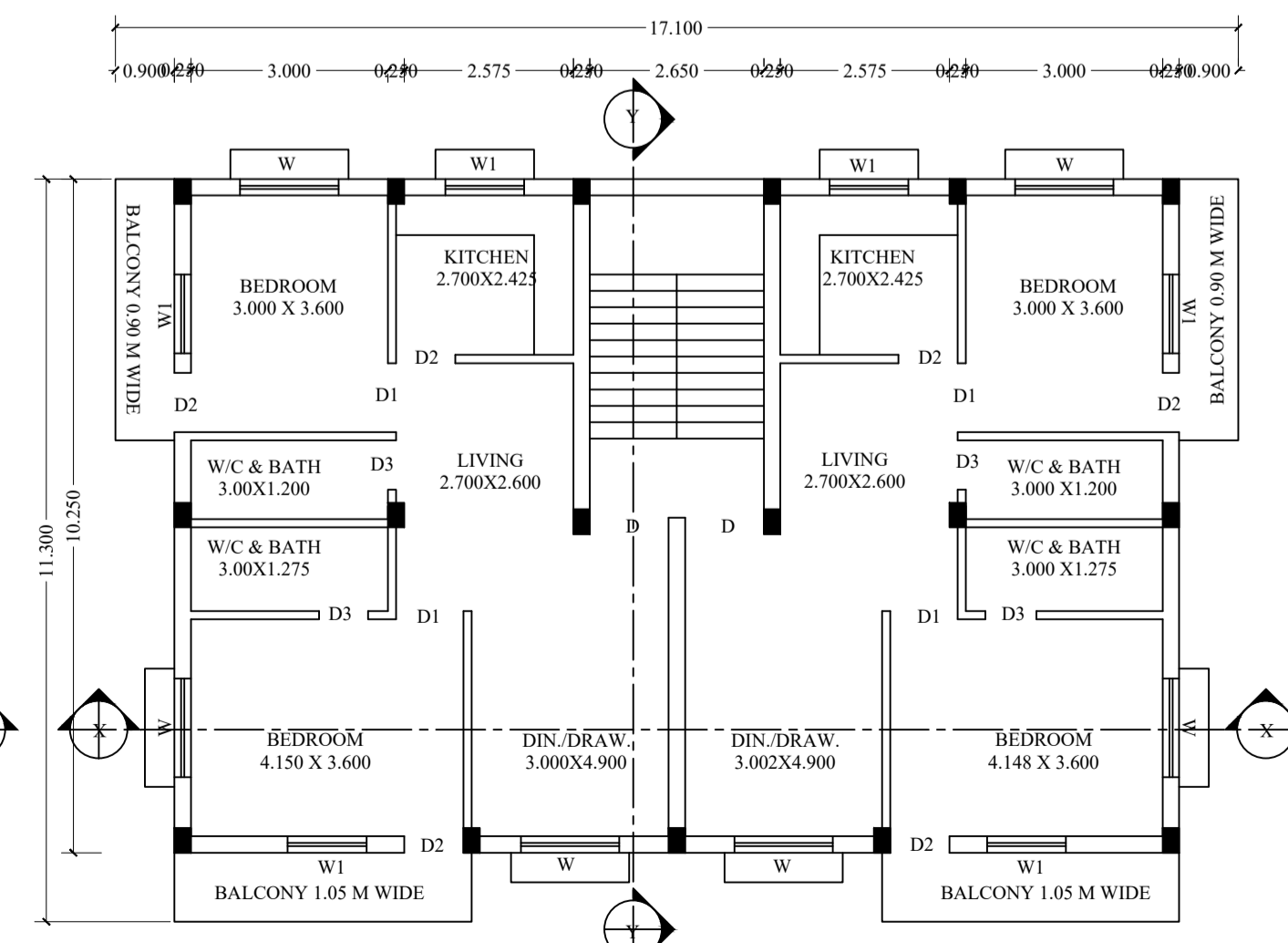
LOCATION PLAN



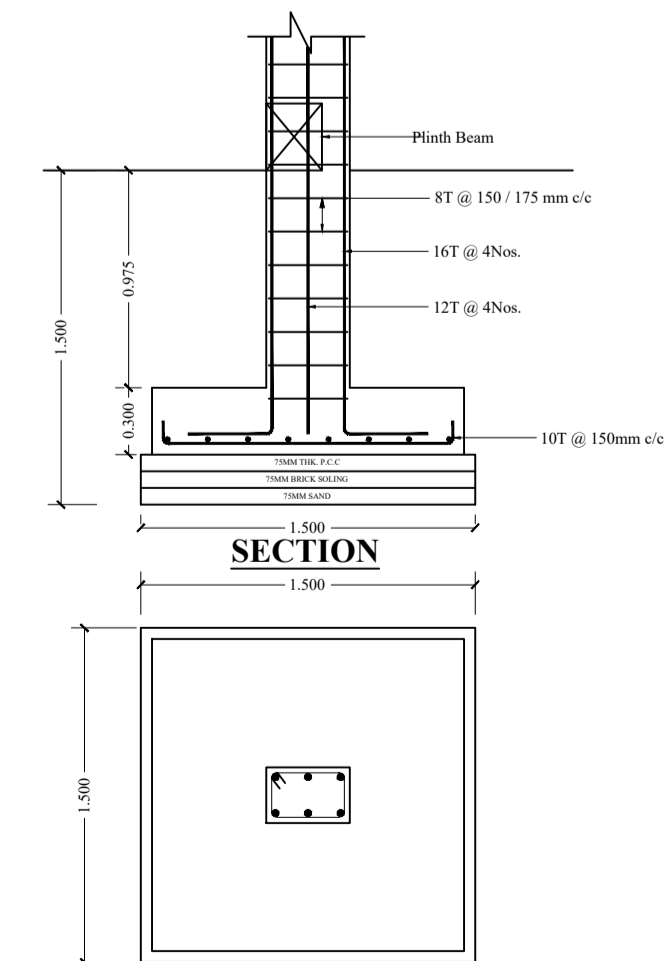
GROUND FLOOR



FIRST FLOOR



SECOND FLOOR



FOOTING PLAN

GENERAL NOTES - NOTES & REFERENCES

1. READ THIS DRAWING IN CONJUNCTION WITH RELEVANT ARCHITECTURAL DRAWINGS. ANY DISCREPANCY IF FOUND SHALL BE BROUGHT TO THE NOTICE OF CONSULTANT
2. ALL DIMENSIONS ARE IN MM & LEVELS IN MILLIMETERS.
3. DO NOT SCALE ANY DIMENSION.
4. CONFIRM LOCATION OF WALLS WITH RELEVANT ARCH. DRGS.
5. FOR RCC. WORK USE MIX M25 CONFORMING TO IS 456 : 2000 OR AS SPECIFIED IN RESPECTIVE DWG.
6. THE REINFORCEMENT SHALL BE COLD TWISTED DEFORMED BARS (C.T.D) OR T.M.T. BARS HAVING YIELD. STRENGTH NOT LESS THAN 500 N/mm² AND CONFORMING TO I.S. 1786 - 1979.
7. THE CLEAR COVER TO THE REINFORCEMENT SHALL BE AS FOLLOWS:-
 - (a) FOUNDATION 60 MM surfaces in contact with earth
 - (b) COLUMNS : 40 MM
 - (c) BEAMS (top & bottom) 25 MM side cover 25mm
 - (d) SLABS : 20 MM
 - (e) CHAJJAS/CANOPY : 20 MM
 - (f) R.C.C. WALL : 25 MM
8. NOT MORE THAN 50% OF THE BARS SHALL BE LAPPED AT ANY SECTION. LAPS CLOSE TO THE MID SPAN IN BOTTOM BARS & CLOSE TO SUPPORTS IN TOP BARS SHALL BE AVOIDED.
9. ----- INDICATES TOP BARS
----- INDICATES BOTTOM BARS

DOORS, WINDOWS & VENT. SCHEDULE.

No.	ITEM	L	B	H	SILL
1.	D	1.20		2.10	
2.	D2	1.05		2.10	
3.	D3	0.75		2.10	
4.	W	1.50	1.20	0.90	
5.	W1	1.20	1.20	0.90	
6.	V	0.60		0.45	

R1	18-03-2022	SUBMISSION DRAWING
R0		FOR APPROVAL

rev.no.	date	revision
---------	------	----------

CLIENT:-
KANTI KUMUDNI TIRKEY
W/O ADV. ARUN UNMESH TIRKEY
KHATA NO.-256,PLOT NO.-5209,
THANA NO.-80,MAUJA-GOTRA.

PROJECT TITLE
PROPOSED G+2 RESIDENTIAL BUILDING
FOR KANTI KUMUDNI TIRKEY,
DIPTITOLI, SIMDEGA,
JHARKHAND.

DRAWING TITLE :	DWG NO.
SUBMISSION DRAWING	SD-03

SCALE : N.T.S

DATE : 31-05-2022

DEALT : S.T.A

PROJECT NO. :

CONSULTANT:-
THE CREATION
ARCHITECT ! ENGINEERS ! PROJECT CONSULTANTS
Office : 1st FLOOR, OPP. GULZAR GALL, MAIN ROAD SIMDEGA.
NEAR ANAND BHAVAN-835223.
TELEPHONE : +91-7070131170
E-mail : thecreationjh@gmail.com. ragibsanu@gmail.com.

DRAWING RELEASED FOR:

APPROVAL SUBMISSION
 ADVANCE COPY CONSTRUCTION

ENGINEER'S SIGN OWNER'S SIGN