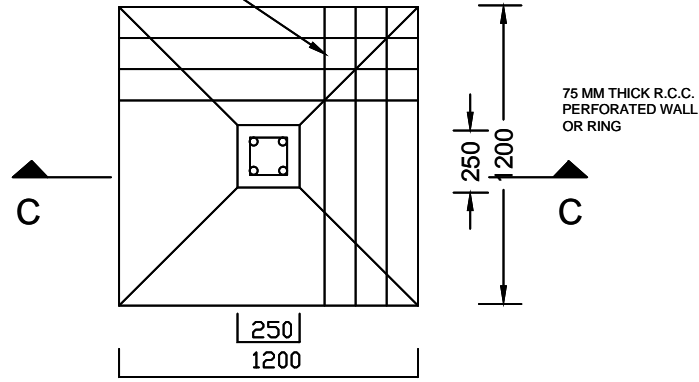


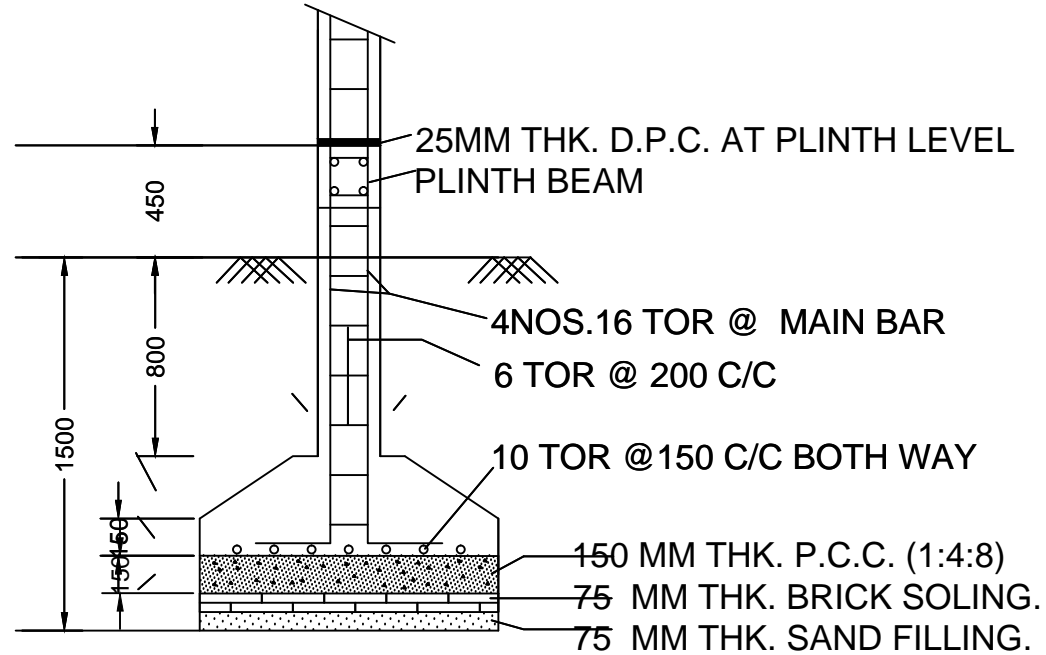
10 TOR @ 150 C/C BOTH WAY
R.C.C. JALI



PLAN

DETAIL OF FOUNDATION

SCALE:- 1:50



SECTION - CC