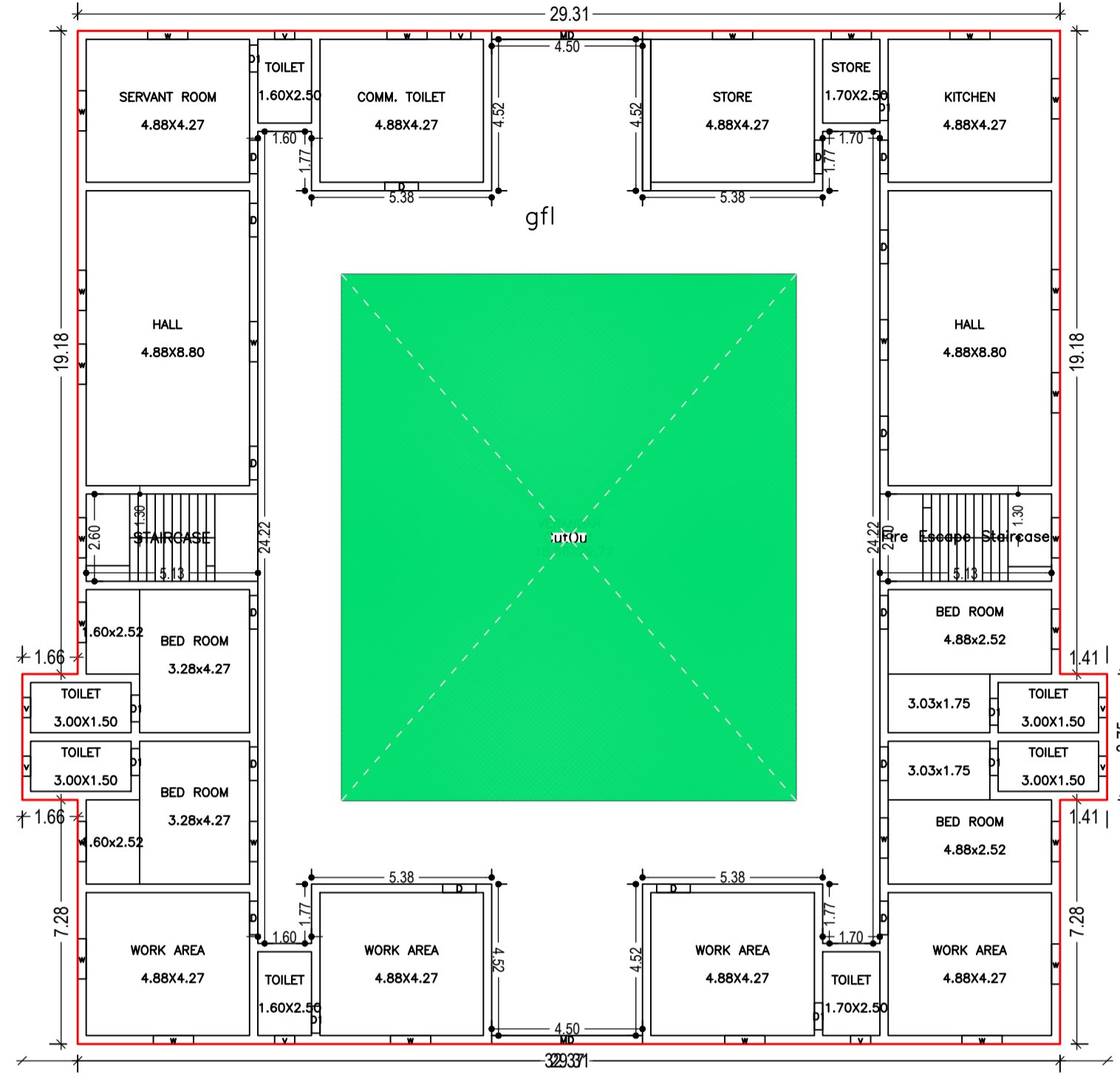
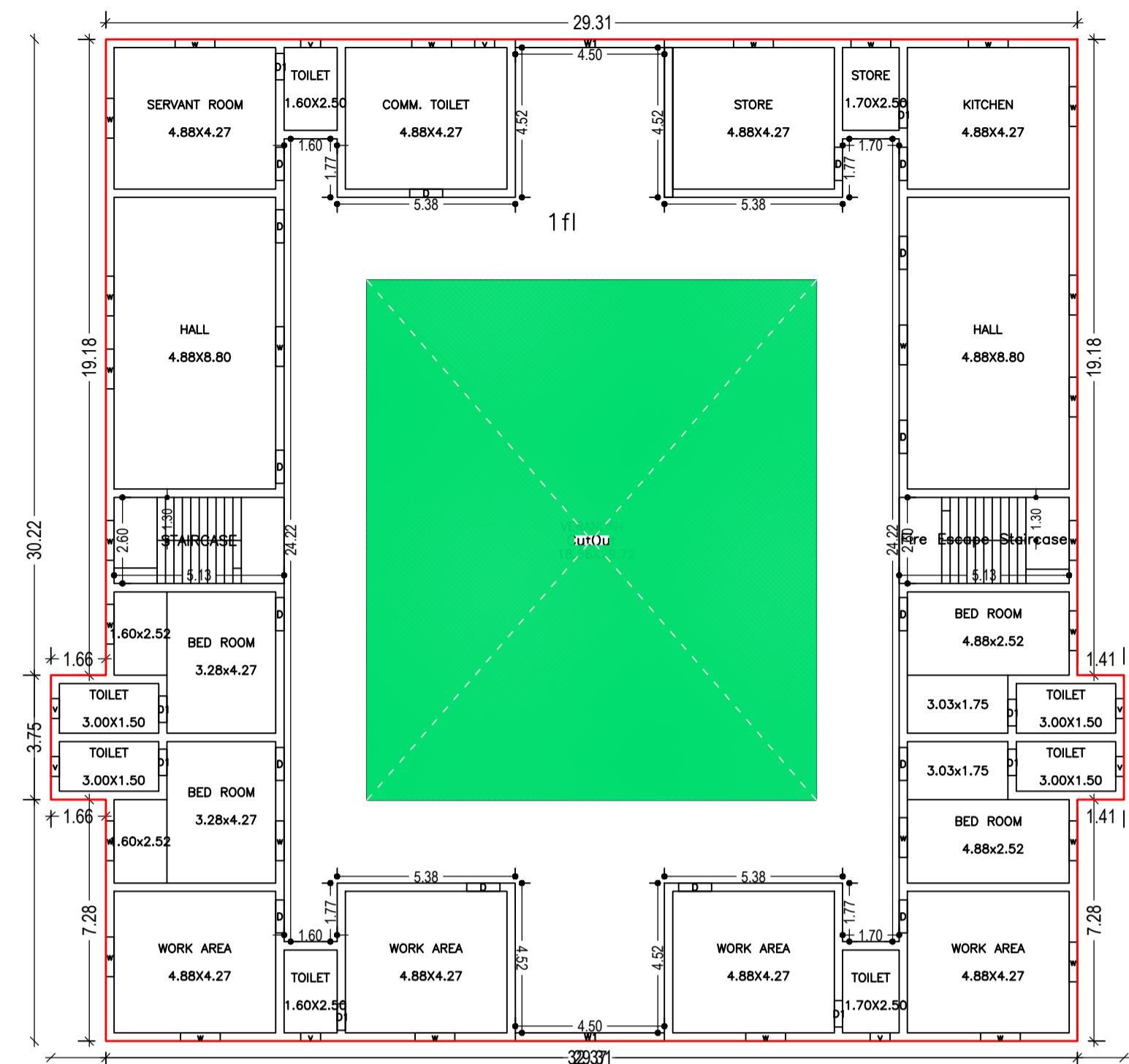


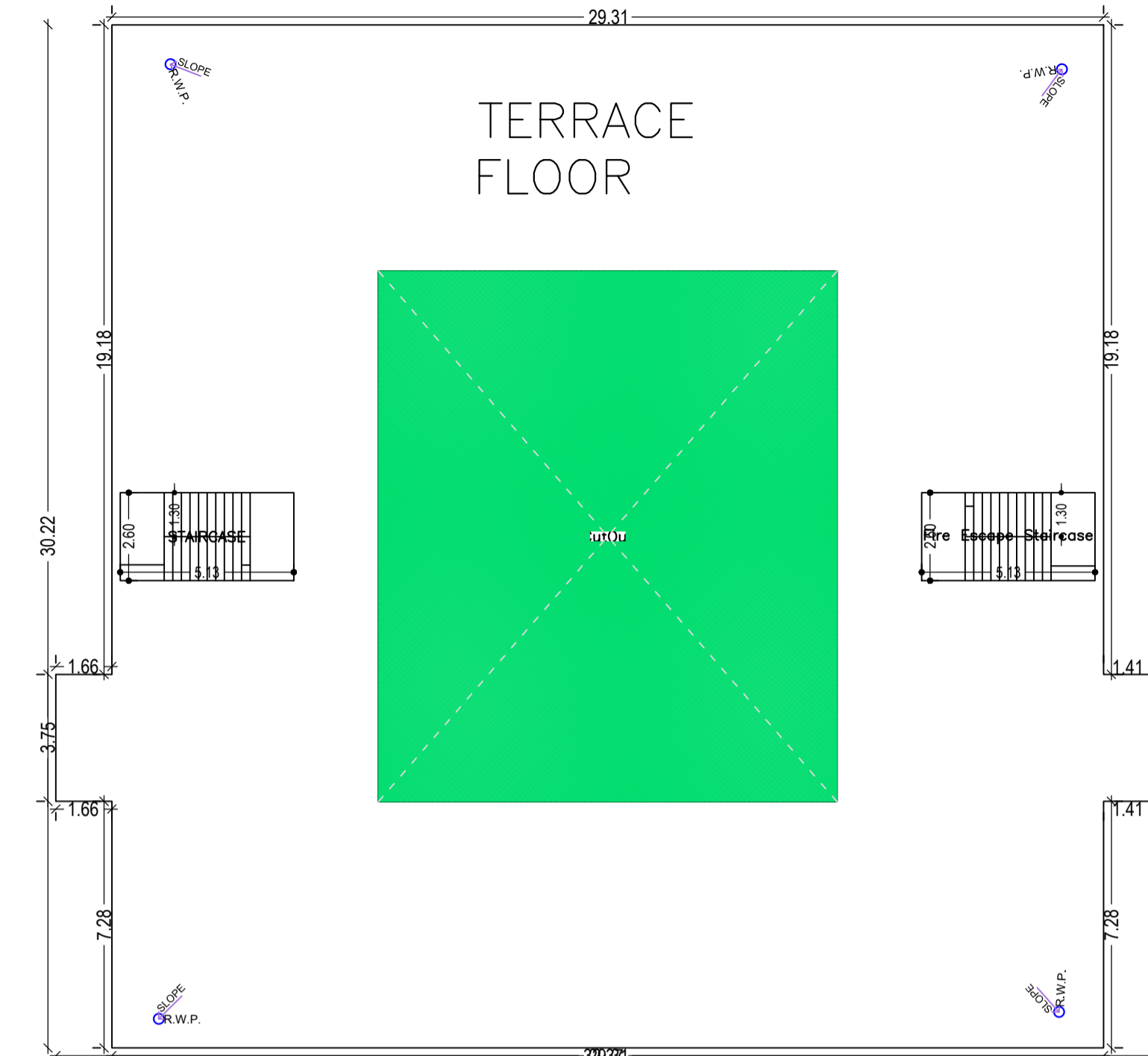
DATE	09-10-2023
SHEET NO.	2
Proposal Basic Information	
Proposal File No.	SNPC/SP/04/19/02/2023
Owner Name	ST MARY'S HIGH SCHOOL
Khata No.	72
Plot No.	2220
Village Name	Khajri
Use	Residential
SubUse	Hostel



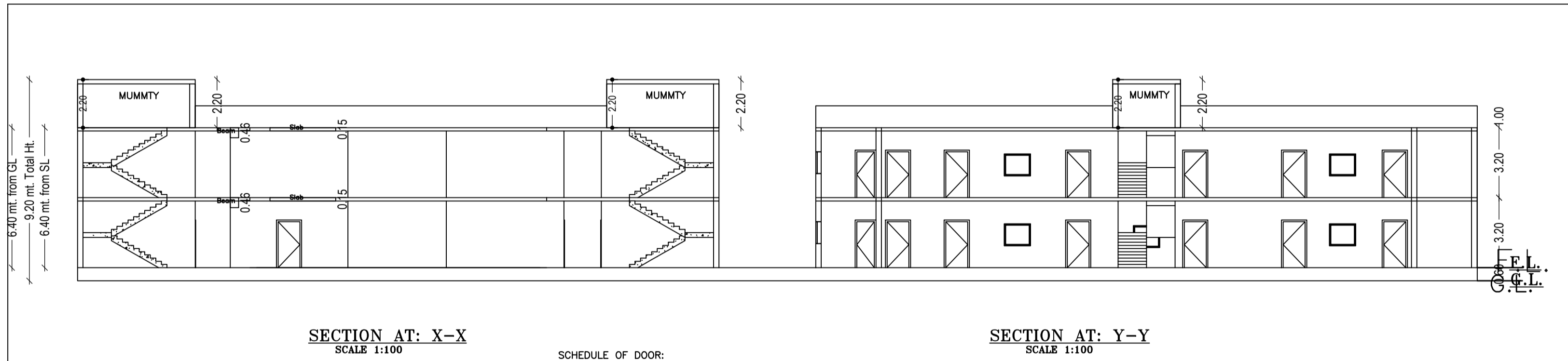
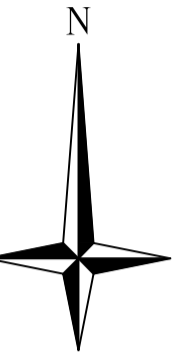
GROUND FLOOR PLAN
(Proposed)
(SCALE 1:100)



FIRST FLOOR PLAN
(Proposed)
(SCALE 1:100)



TERRACE FLOOR PLAN
(SCALE 1:100)



SECTION AT: X-X
SCALE 1:100

SECTION AT: Y-Y
SCALE 1:100

SCHEDULE OF DOOR:

Floor Name	Gross Buildup Area	From Gross Building Area in Sq.Mt.	Total Built Up Area (Sq.Mt.)	Substructure Area in Sq.Mt.	Proposed FAR Area (Sq.Mt.)	Total FAR Area (Sq.Mt.)	Total Consumed FAR Area (Sq.Mt.)	Total (%)
Ground Floor	897.24	212.65	684.59	13.33	671.26	671.26	671.26	01
First Floor	897.24	212.65	684.59	13.33	671.26	671.26	671.26	01
terrace	0.00	0.00	0.00	0.00	0.00	0.00	0.00	00
Total:	1794.48	425.30	1369.18	26.66	1342.52	1342.52	1342.52	02
Total Number of Same Buildings	1							
Total:	1794.48	425.30	1369.18	26.66	1342.52	1342.52	1342.52	02

URBUBA Table for Building A (BUILDING)

FLOOR	Name	SHBR Type	URBUBA Area	Carpet Area	No. of Rooms	No. of Tenement
GROUND FLOOR PLAN	1#	FLAT	693.05	612.62	23	1
FIRST FLOOR PLAN	1#	FLAT	693.05	612.62	23	1
Total:			1387.10	1225.24	46	2

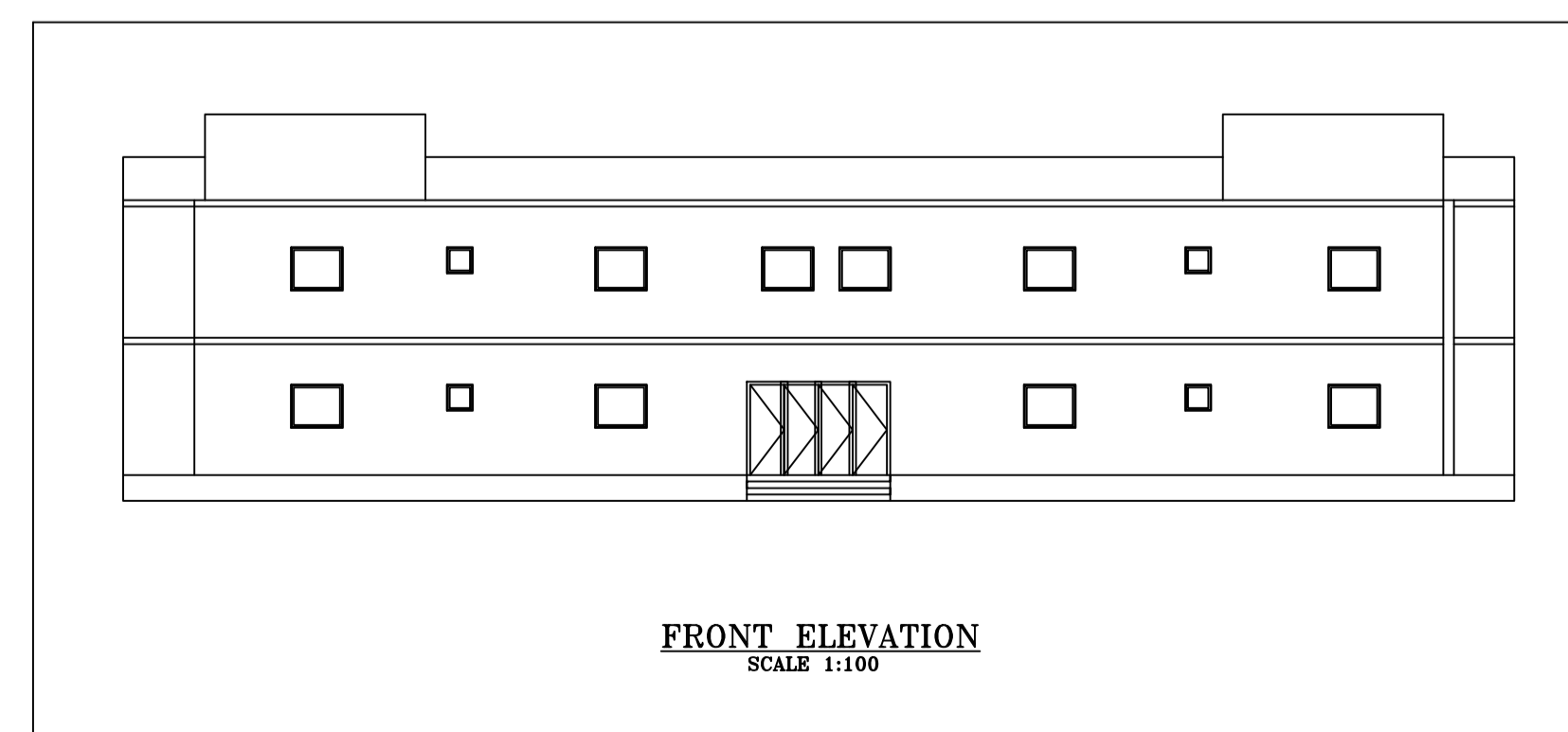
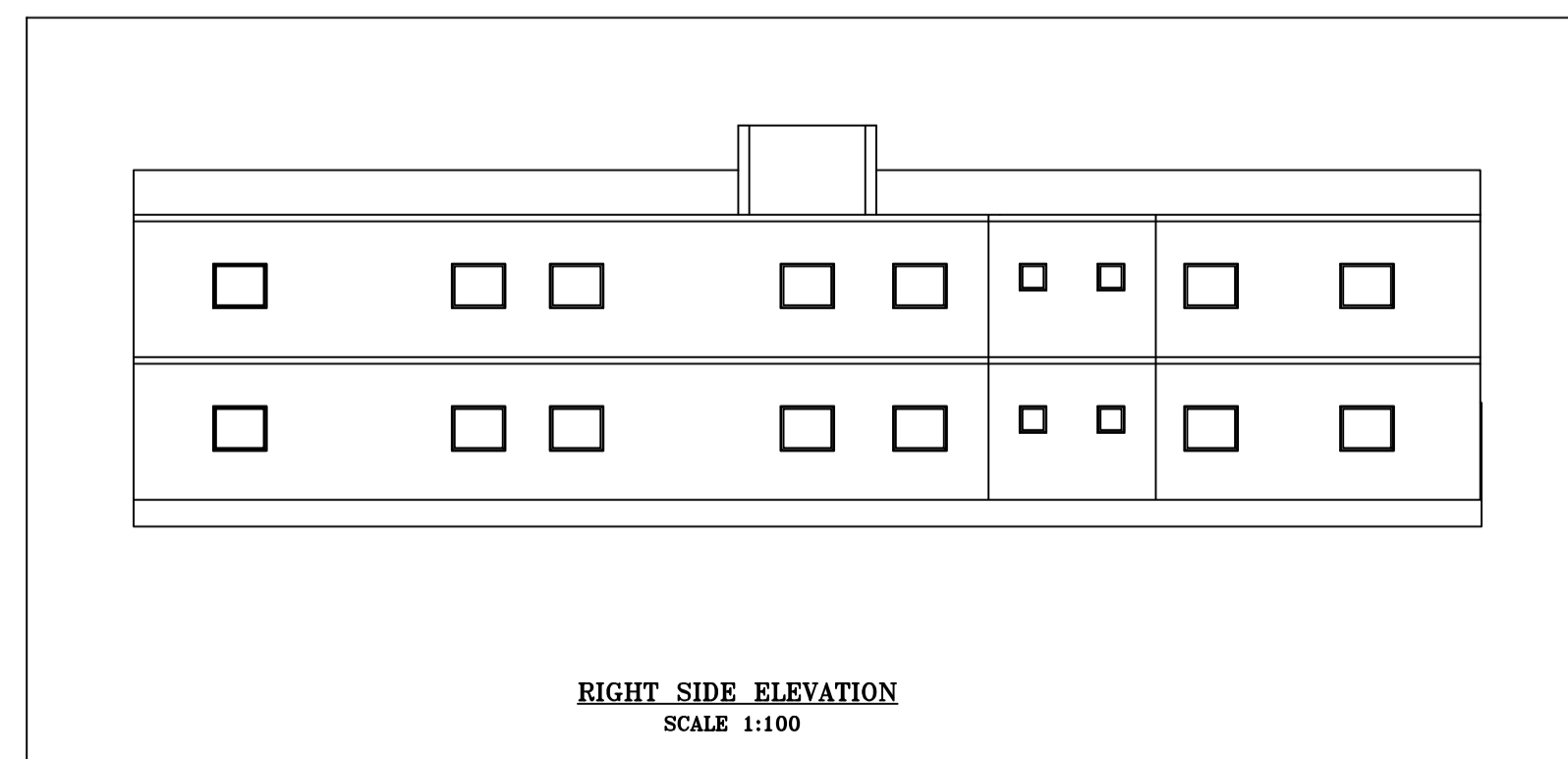
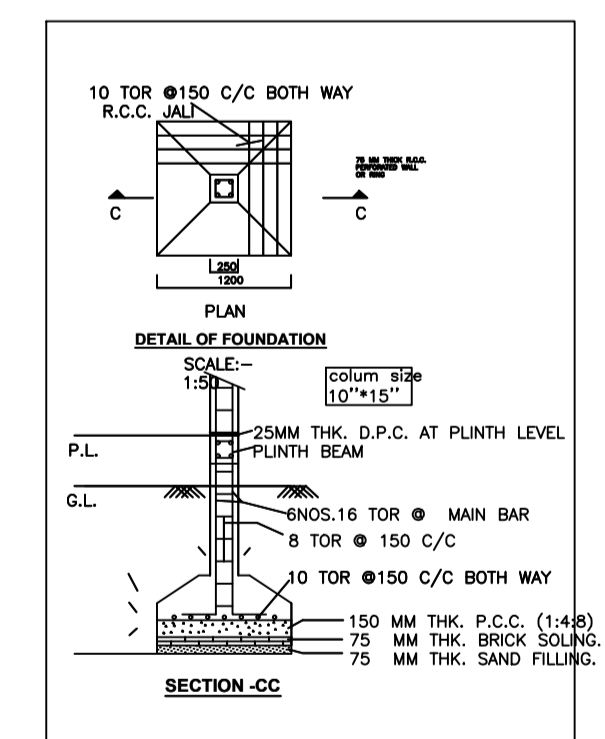
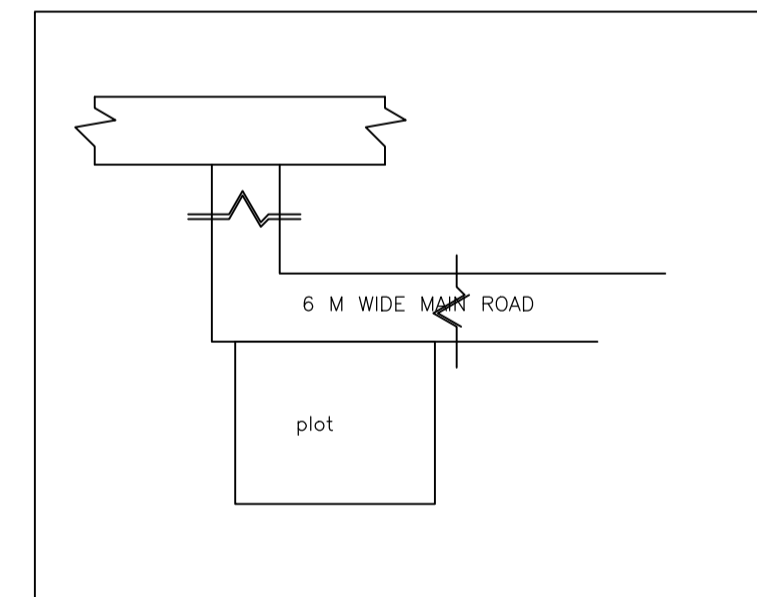
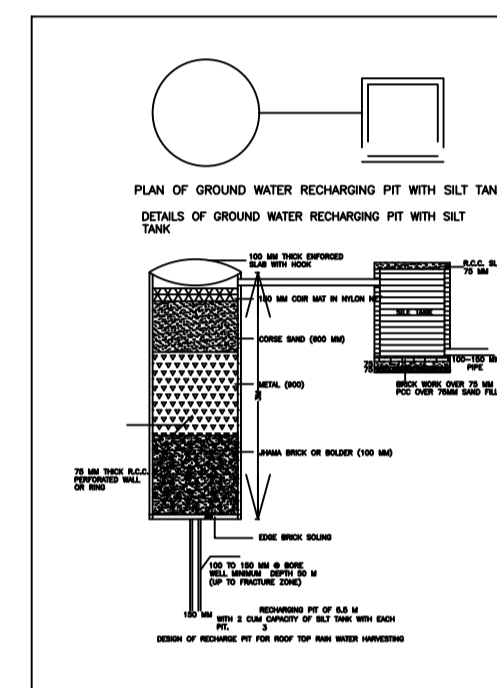
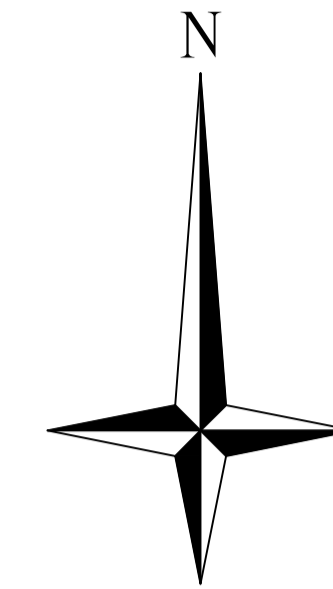
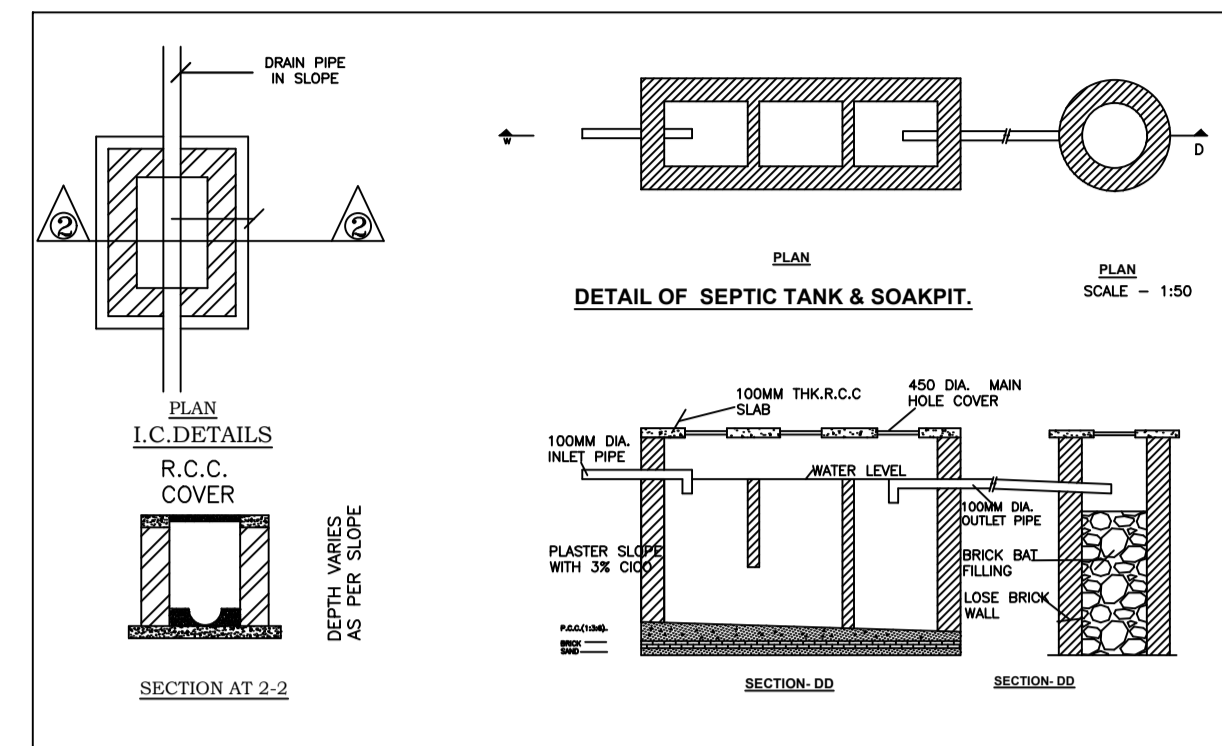
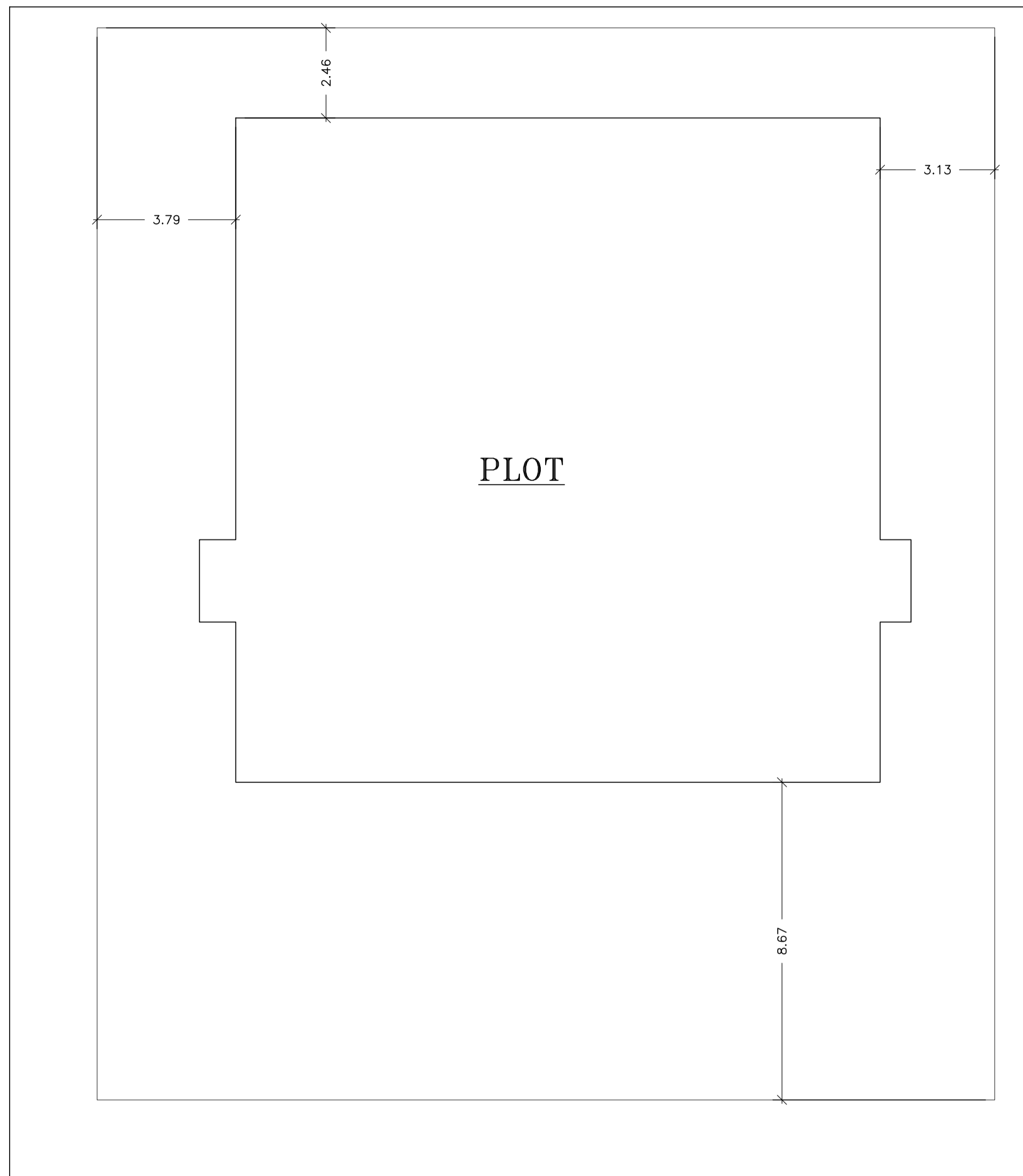
BUILDING NAME	NAME	LENGTH	HEIGHT	NO.
A (BUILDING)	01	0.80	2.10	16
A (BUILDING)	02	1.00	2.10	30
A (BUILDING)	03	4.50	2.10	02

SCHEDULE OF WINDOW/VENTILATION:

BUILDING NAME	NAME	LENGTH	HEIGHT	NO.
A (BUILDING)	v	0.80	0.80	16
A (BUILDING)	w	1.00	1.00	30
A (BUILDING)	WT	4.50	1.00	02

LTP NAME AND SIGNATURE	STRUCTURAL ENGS NAME AND SIGNATURE	BUILDER NAME AND SIGNATURE	DIGITAL SIGNATURE
vivek raj gupta SNPC/ENG/001/2022			

Proposal Basic Information	
Proposal File No.	SINPC/BP/0449/W06/2023
Owner Name	ST MARY'S HIGH SCHOOL
Khata No	72
Plot No	2220
Village Name	Khijri
Use	Residential
SubUse	Hostel



LTP NAME AND SIGNATURE	STRUCTURAL ENG'S NAME AND SIGNATURE	BUILDER NAME AND SIGNATURE	DIGITAL SIGNATURE
vivek raj gupta SINPC/ENG/0001/2022			