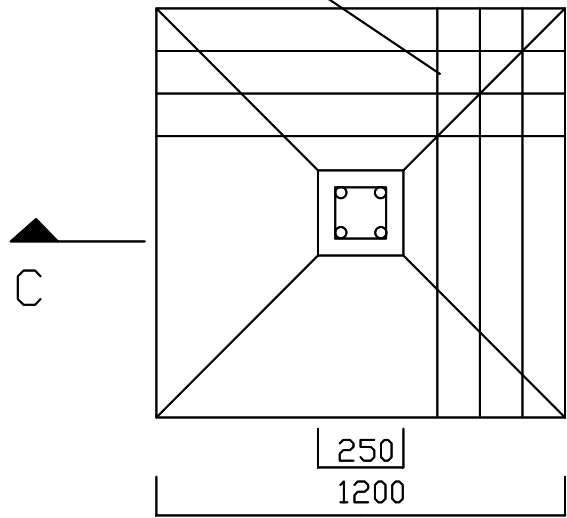
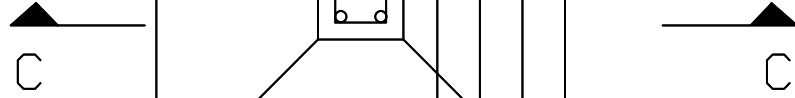


10 TOR @150 C/C BOTH WAY
R.C.C. JALI



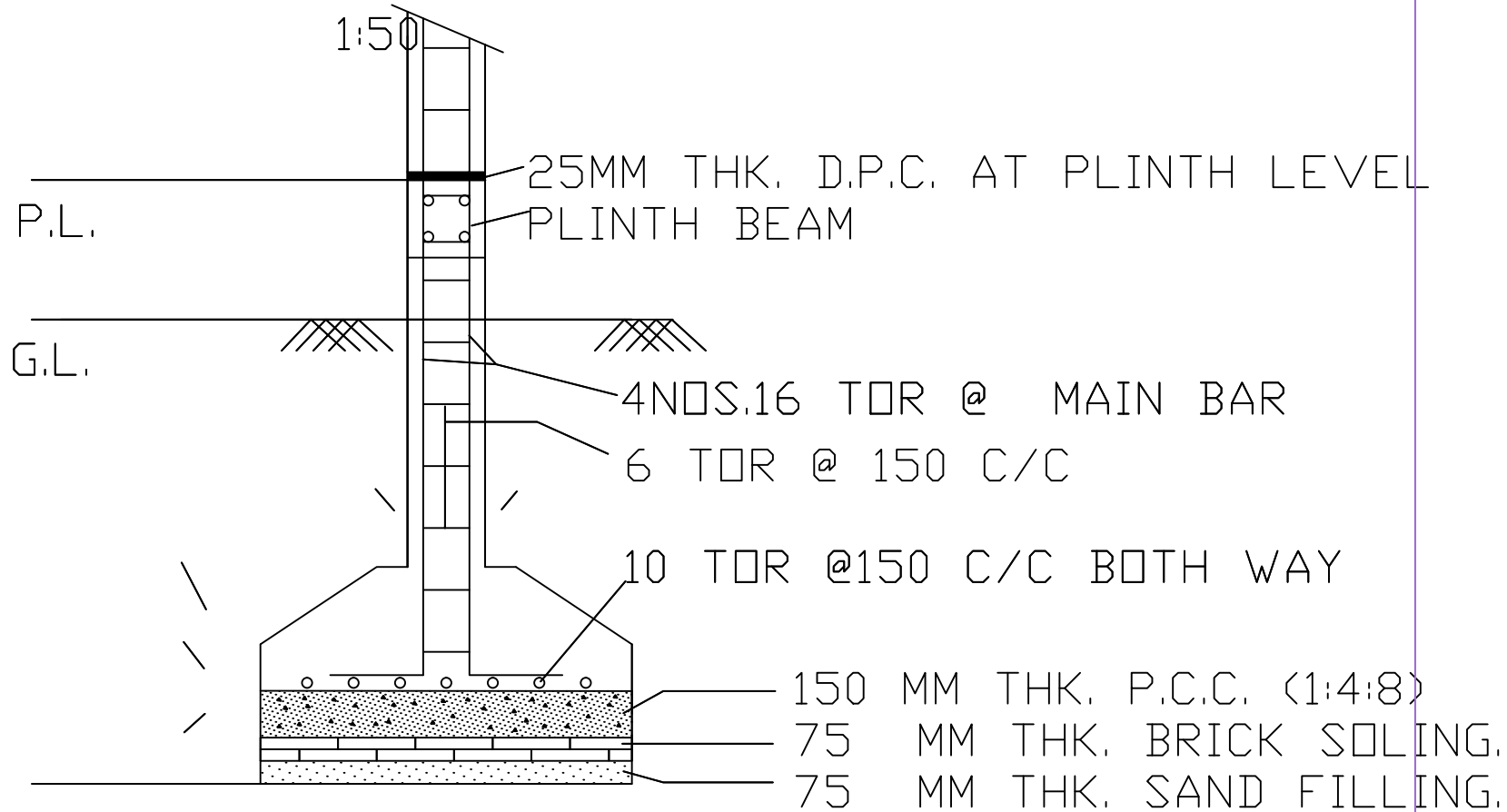
75 MM THICK R.C.C.
PERFORATED WALL
OR RING



PLAN

DETAIL OF FOUNDATION

SCALE:-
1:50



SECTION -CC

Structure Detail

NOTE:-

1. Read this drawing along with architectural & structural drawings.
2. Do not scale, follow written dimensions only. All dimension are in foot unless otherwise noted.
3. All dimensions & levels shall be checked & co-related with relevant architectural & structural drawing & in case of any ambiguity the matter shall be brought to the notice of the consultant before starting the work.
4. Grade of concrete shall be **M-20** & shall be confirming to IS: 456 - 2000.
5. Reinforcement steel shall be High Strength Deformed TMT bars as per IS: 1786 - 1985 and having a minimum yield strength of **500** N/mm² and having elongation more than 14.5%.
6. Clear cover to main reinforcement shall be 50 mm for footing, 40 mm for column, 25 mm for Beam and 20 mm for slab. Side cover of footing shall be 75mm.
7. Not more than 50% of bars shall be lapped at any section.
8. Lap length shall be equal to $L_d = 57$ times smaller Dia of bars and shall be avoided in following cases - Top bars - near support, Bottom bars - near midspan.
9. Wherever necessary chairs shall be provided to support the top reinforcement in position.
10. All concrete shall be machine mixed and machine vibrated.
11. Sufficient concrete cube test and steel yield strength test is to be performed for different batches & report shall be submitted to proper authority.
12. Use 10% extra cement in concrete for casting under the water table.
13. Bearing Capacity of the soil is below Ground level as per given by client.
14. Foundation has been designed for **(G + 2)** structure only
15. L_d means 57 times of dia of bars.
16. Structure is designed for earthquake zone IV
17. For any ambiguity, discrepancy, deficient provision (if any felt necessary) etc must be brought to the notice of consultant/design office for clarification and work must be carried out after obtaining approval from competent authority.

R.S Consultant
main road simdega

KHAATA NO:- 256

PLOT NO :- 5210
AREA :- 8 DECIMAL
THANNA NO:- 80
MOUZA :- GOTRA
BOUNDARY:-
NORTH:- LAND OF ANJLUS INDEWAR
SOUTH:- 12' ROAD
EAST:- 12' ROAD
WEST:- 5210

CLIENT:- SYLVESTER KUJUR
S/O:- LATE HENRY KUJUR

NAME OF PROJECT :- RESIDENTIAL HOUSE

TITLE :- Submission plan

SHEET NO :-01 | SIMDEGA