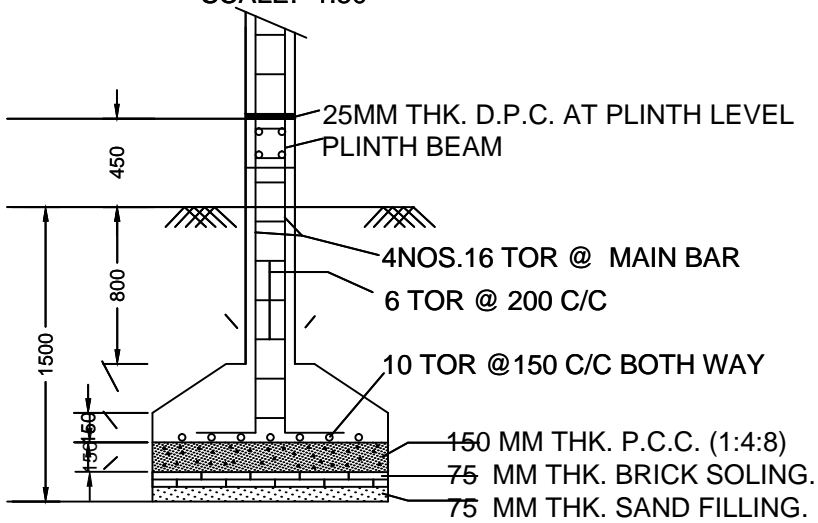


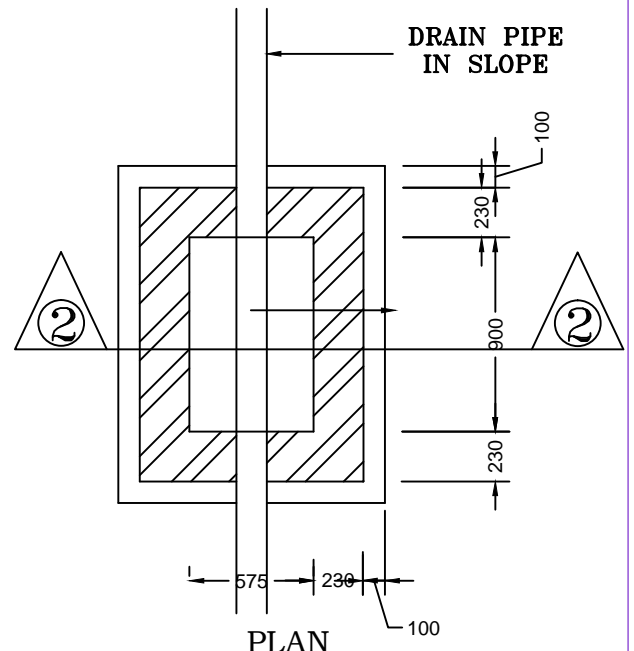
PLAN

**DETAIL OF FOUNDATION**

SCALE:- 1:50



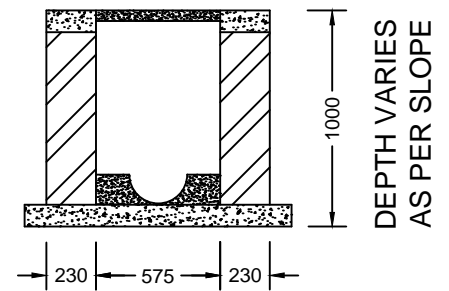
**SECTION -CC**



PLAN

**I.C. DETAILS**

**R.C.C. COVER**



**SECTION AT 2-2**