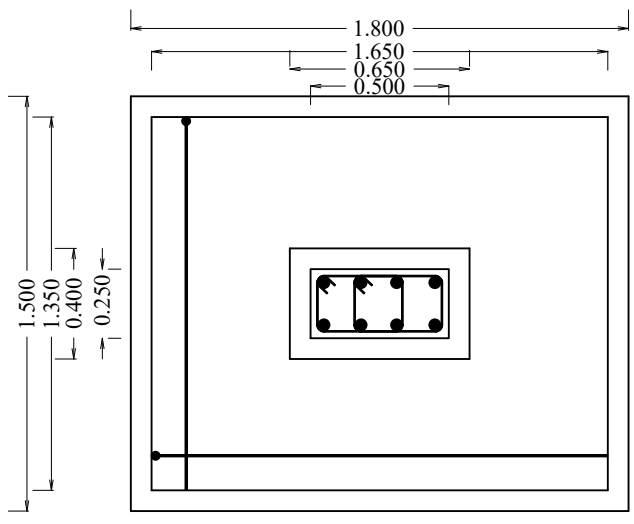
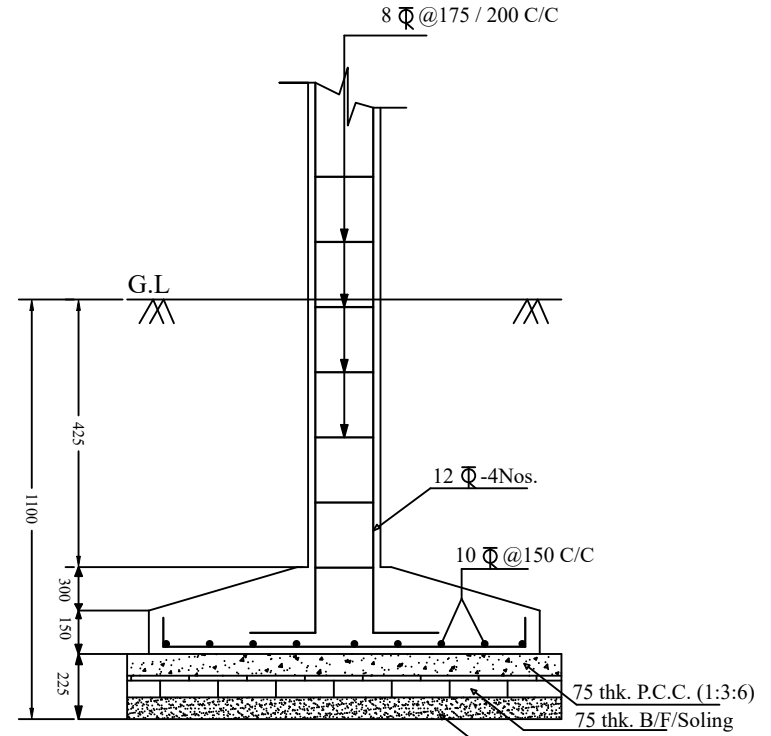


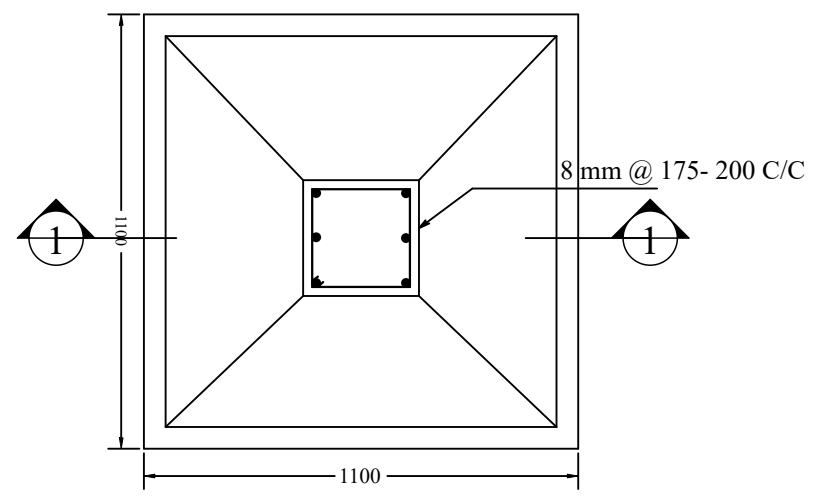
**FOOTING SECTION**



**FOOTING PLAN**



**SECTION AT 1-1'**  
**SCALE -1:25**



**TYPICAL FOUNDATION**  
**SCALE -1:25**