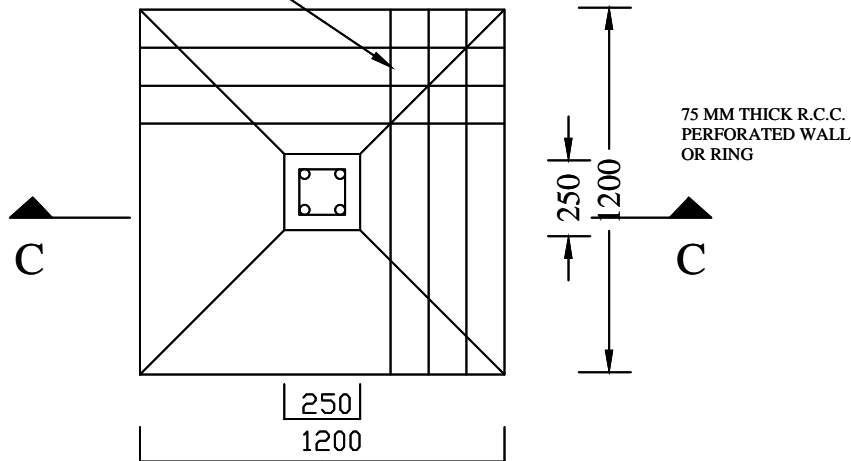


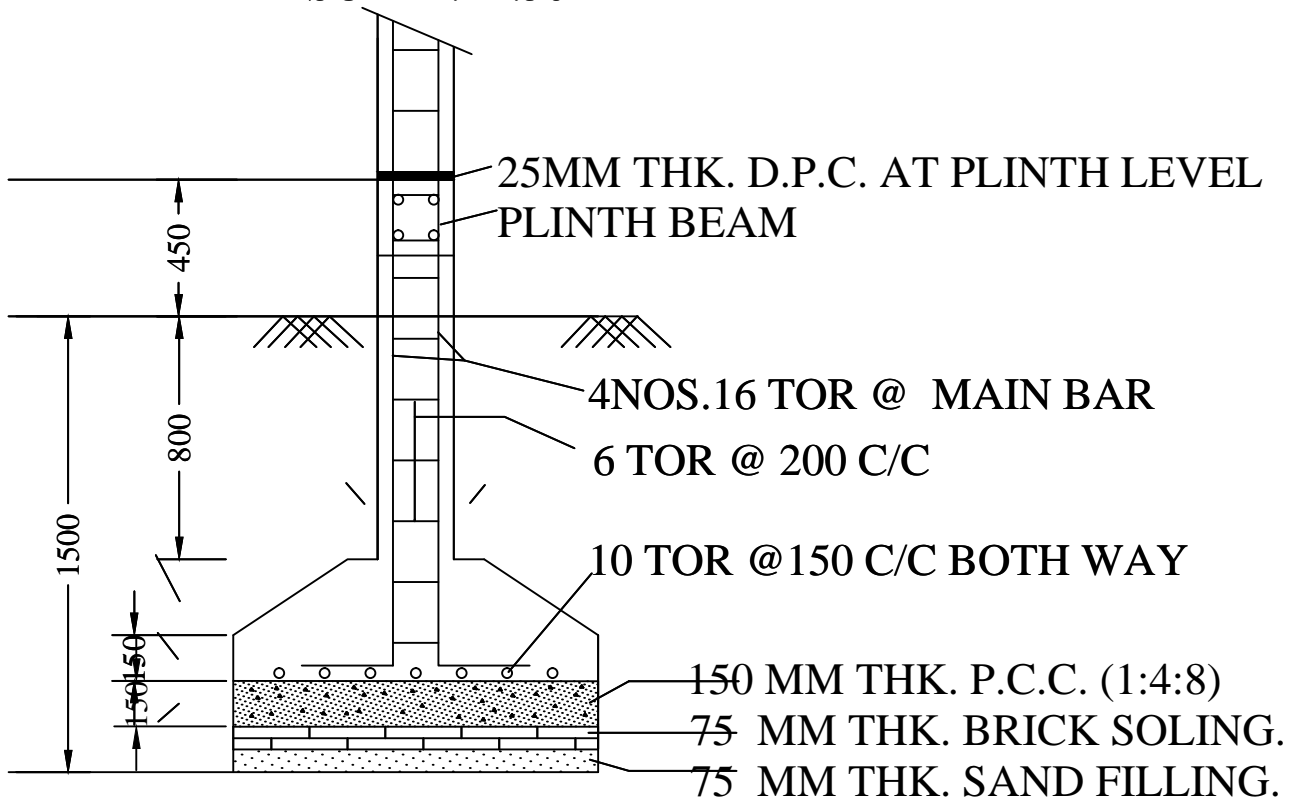
10 TOR @ 150 C/C BOTH WAY  
R.C.C. JALI



PLAN

**DETAIL OF FOUNDATION**

SCALE:- 1:50



Structure Detail

**SECTION -CC**