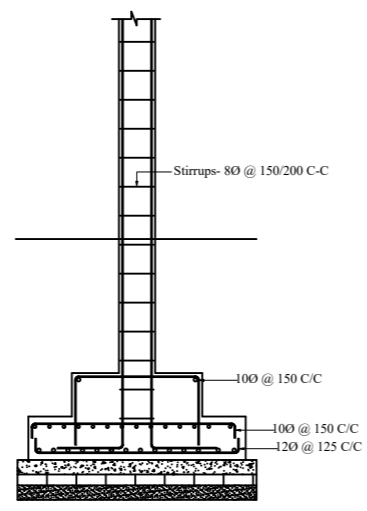
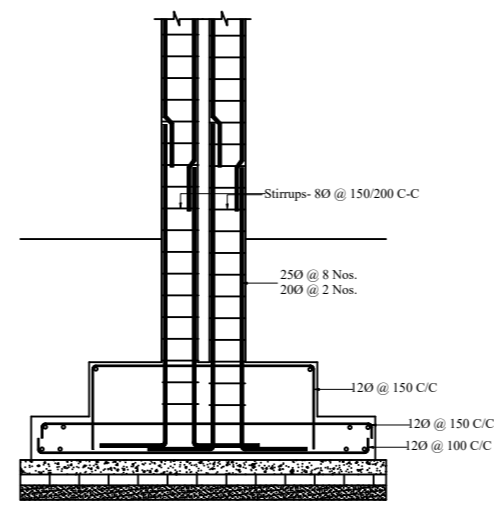


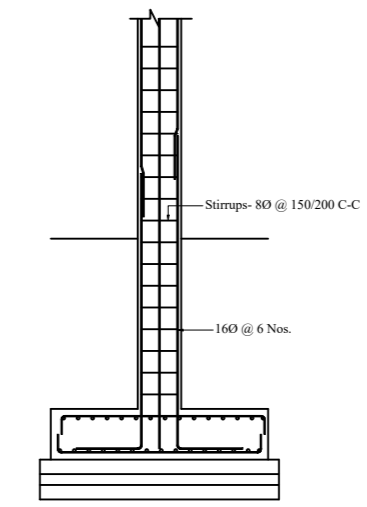
SECTION AT X-X
Scale- 1:25



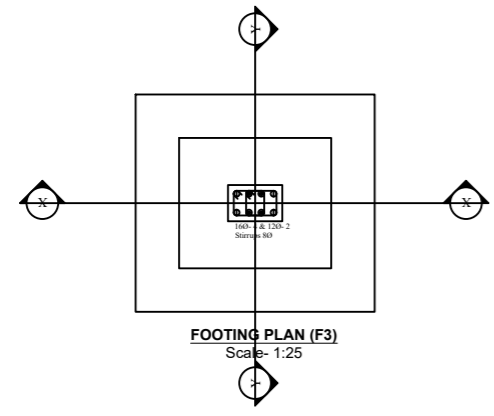
SECTION AT Y-Y
Scale- 1:25



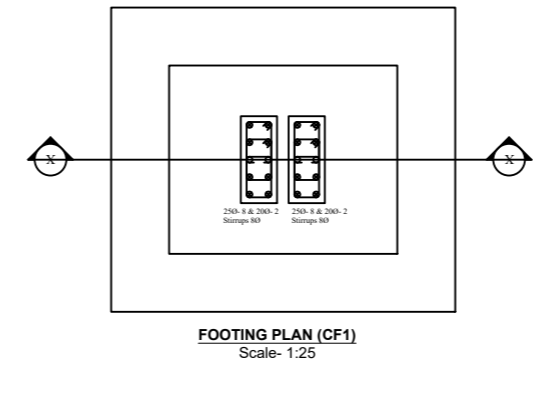
SECTION AT X-X
Scale- 1:25



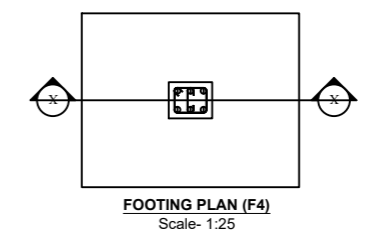
SECTION AT X-X (F4)
Scale- 1:25



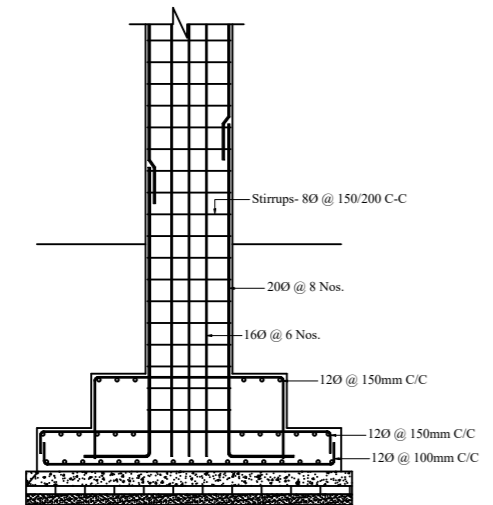
FOOTING PLAN (F3)
Scale- 1:25



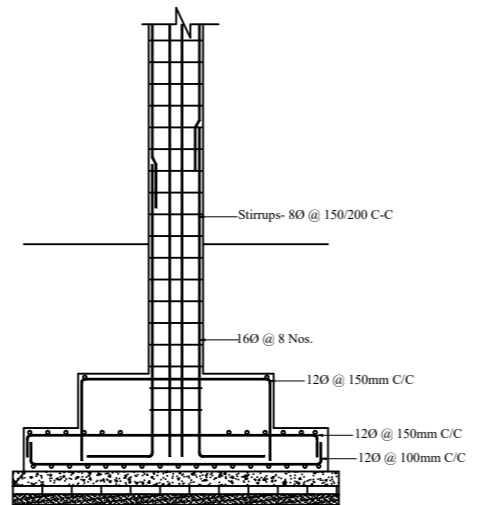
FOOTING PLAN (CF1)
Scale- 1:25



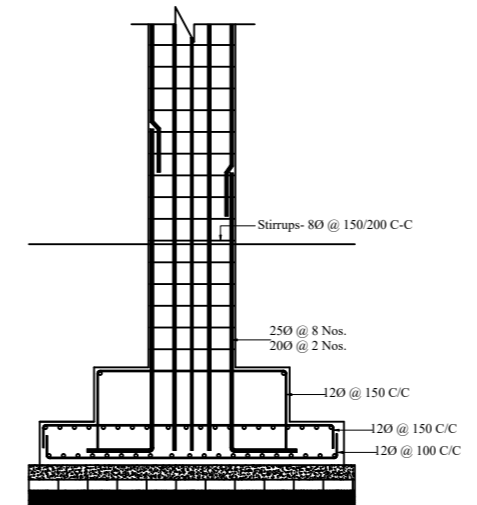
FOOTING PLAN (F4)
Scale- 1:25



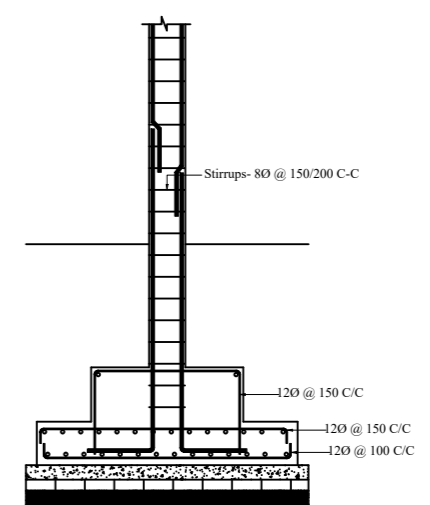
SECTION AT X-X
Scale- 1:25



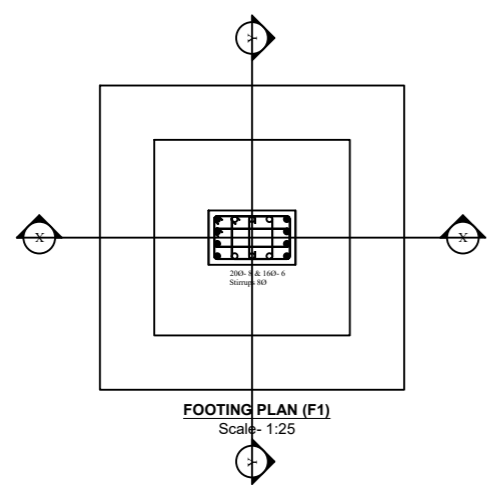
SECTION AT Y-Y
Scale- 1:25



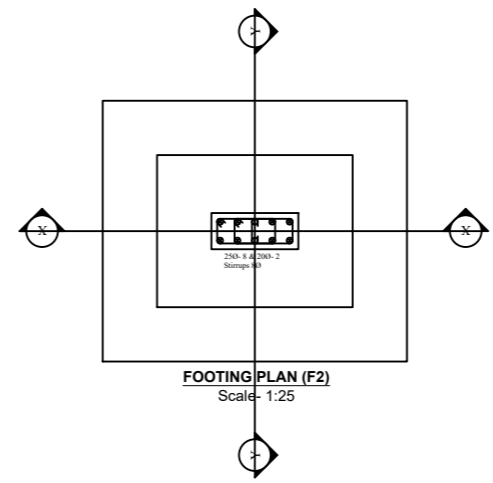
SECTION AT X-X
Scale- 1:25



SECTION AT Y-Y
Scale- 1:25



FOOTING PLAN (F1)
Scale- 1:25



FOOTING PLAN (F2)
Scale- 1:25