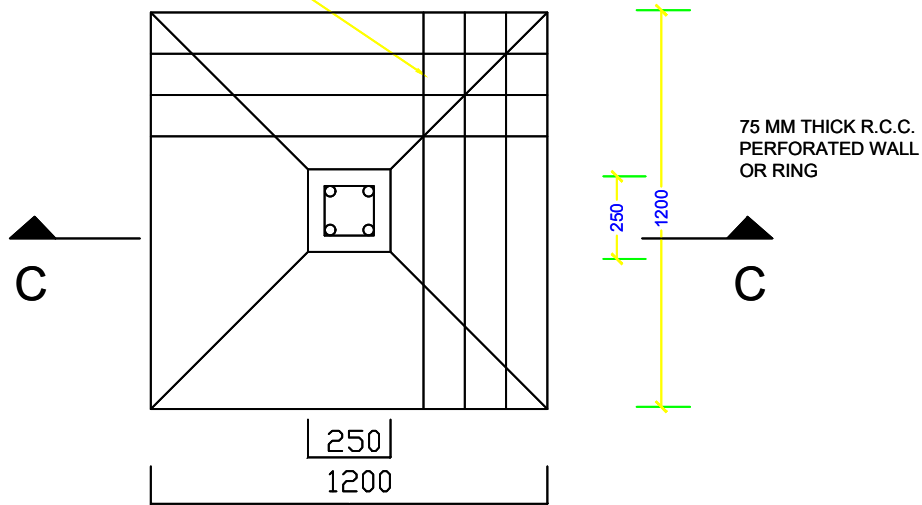


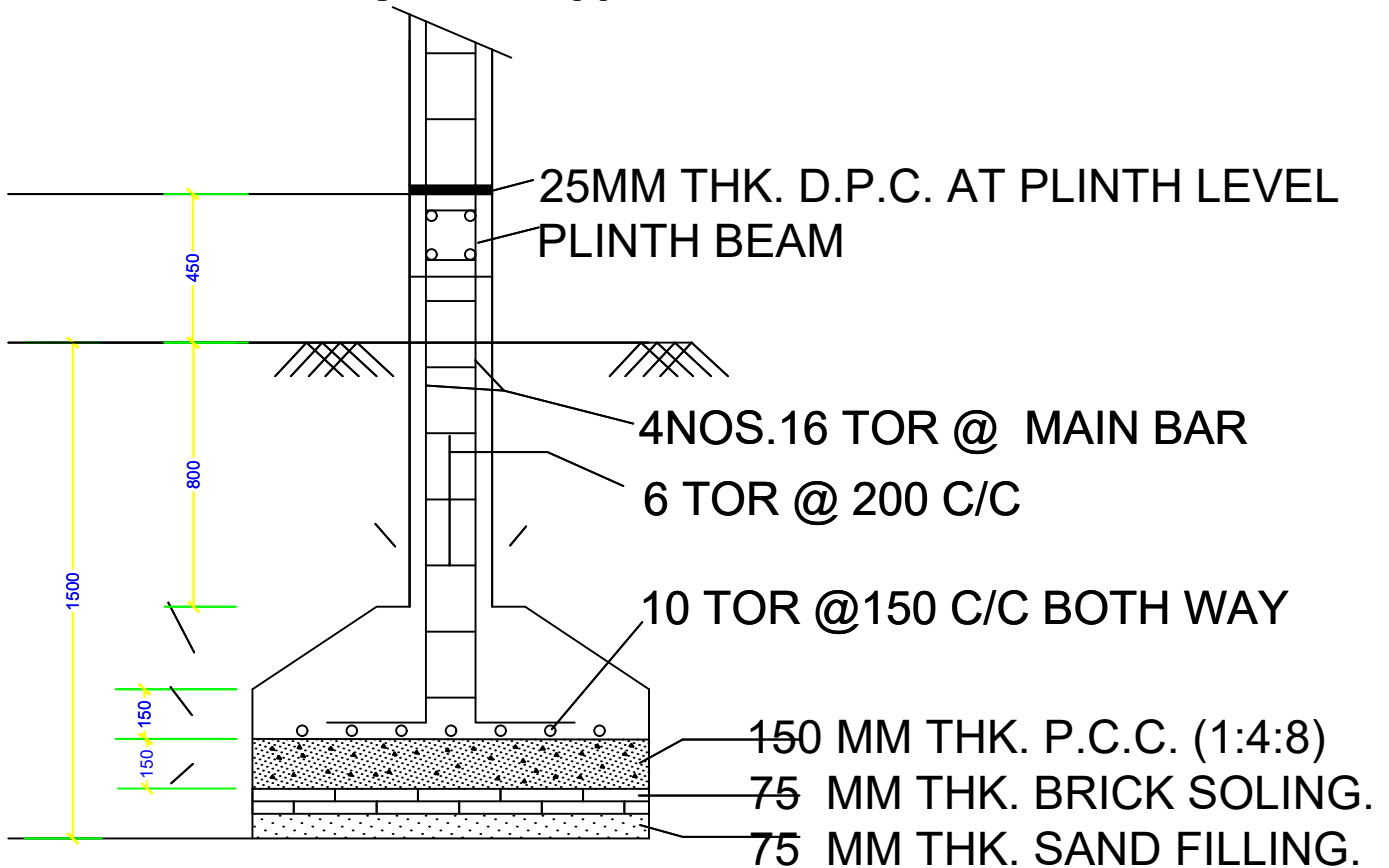
10 TOR @150 C/C BOTH WAY  
R.C.C. JALI



**PLAN**

**DETAIL OF FOUNDATION**

SCALE:- 1:50



**SECTION -CC**