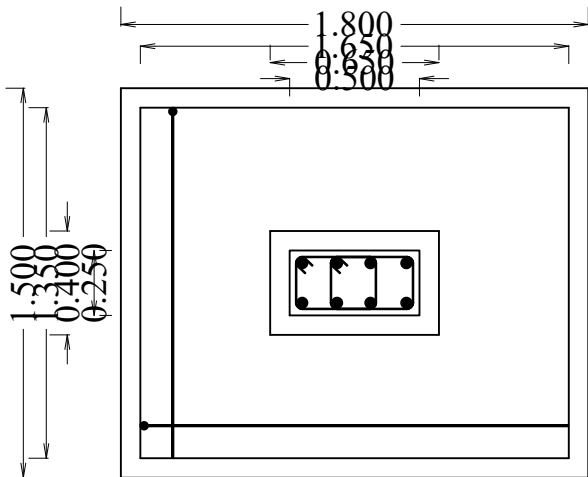
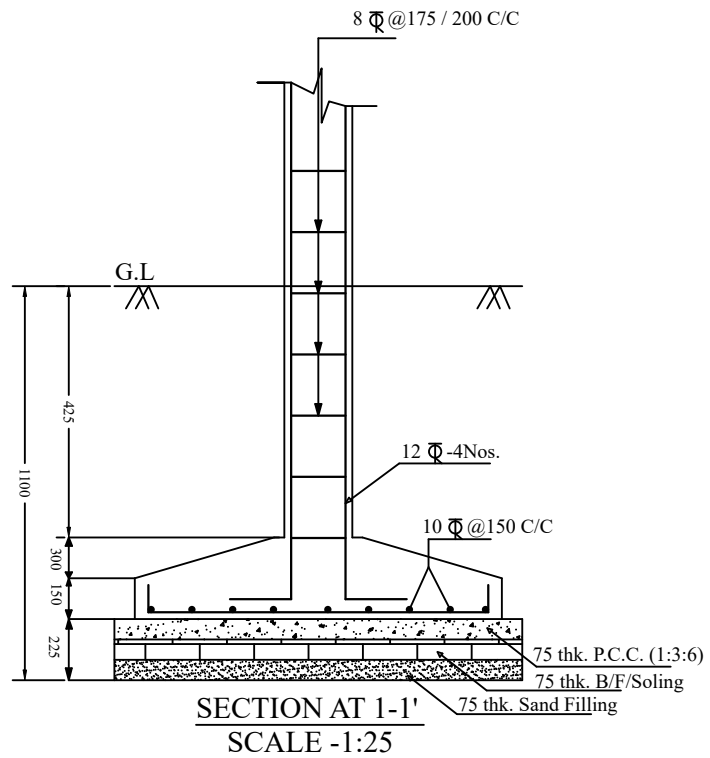


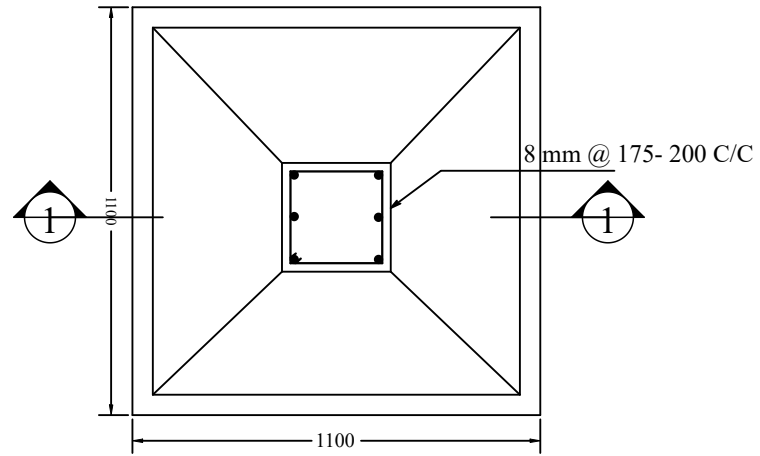
**FOOTING SECTION**



**FOOTING PLAN**



**SECTION AT 1-1'**  
SCALE -1:25



6 Nos.- 12 mm Dia Bar  
**TYPICAL FOUNDATION**  
SCALE -1:25