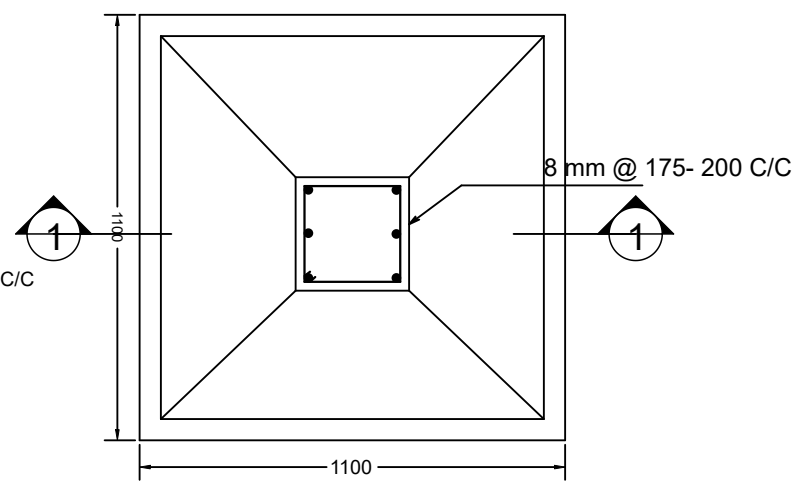


Column
Main Bar- 16 Ø- 4Nos.
12 Ø- 2 Nos.
Stirrups- 8 Ø @ 150/175 C/C



FOOTING PLAN & SECTION

TYPICAL FOUNDATION
SCALE -1:25