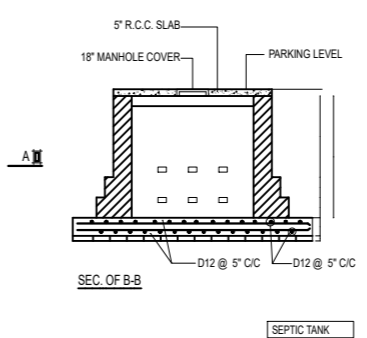
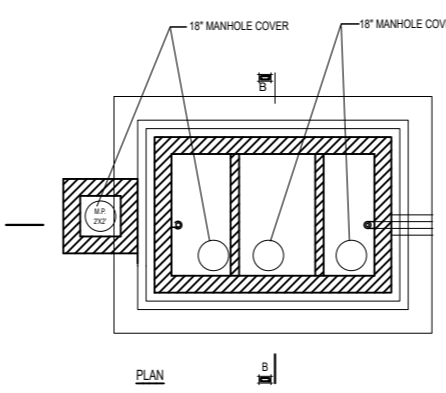
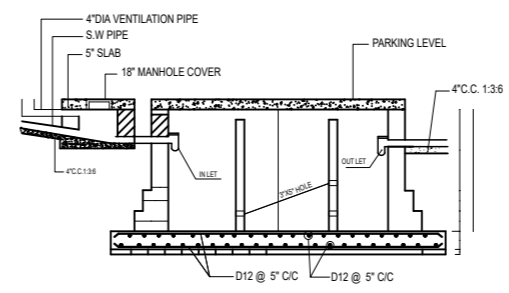
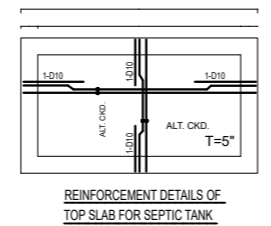
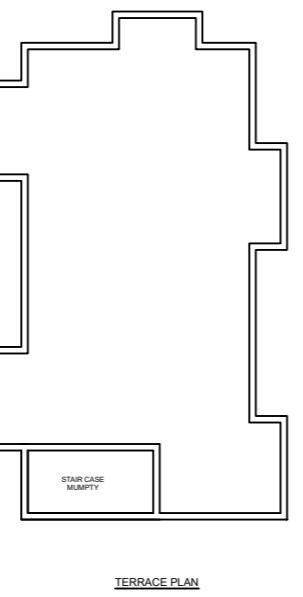
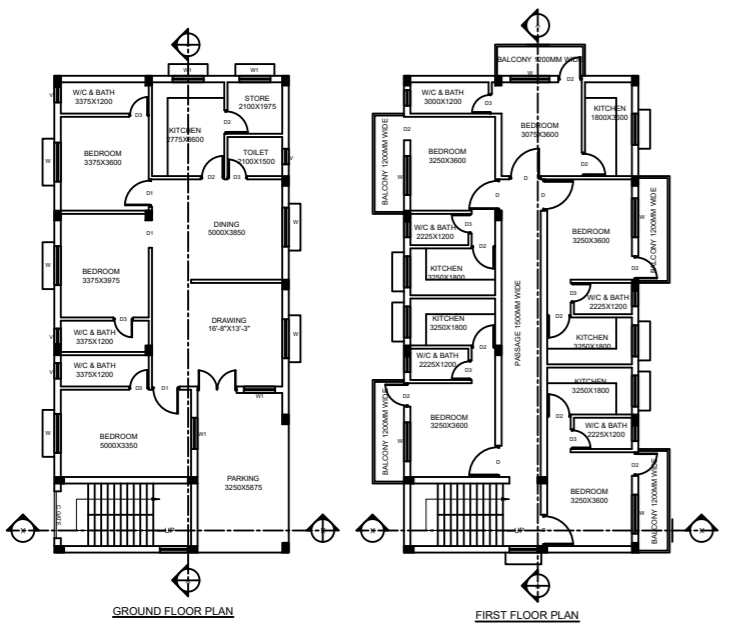
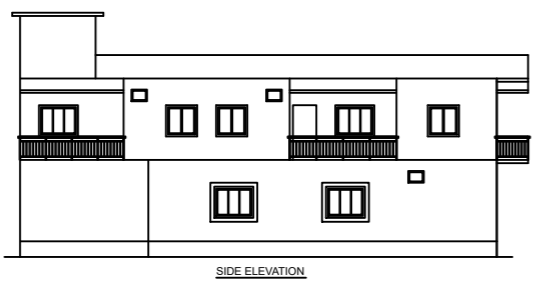
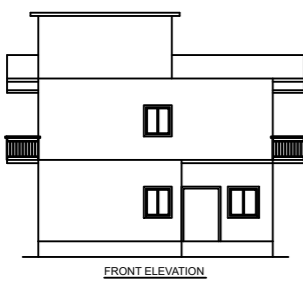
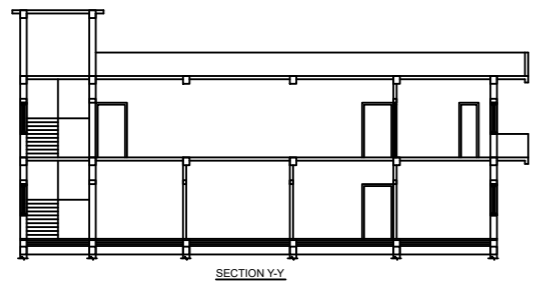
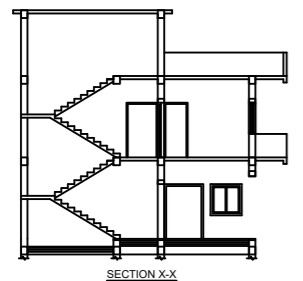


PLAN OF RAIN WATER RECHARGE PIT
Scale - (1:50)



GENERAL NOTES - NOTES & REFERENCES

1. READ THIS DRAWING IN CONJUNCTION WITH RELEVANT ARCHITECTURAL DRAWINGS. ANY DISCREPANCY IF FOUND SHALL BE BROUGHT TO THE NOTICE OF CONSULTANT
2. ALL DIMENSIONS ARE IN MM & LEVELS IN MILLIMETERS.
3. DO NOT SCALE ANY DIMENSION.
4. CONFIRM LOCATION OF WALLS WITH RELEVANT ARCH. DRGS.
5. FOR RCC WORK USE MIX M25 CONFORMING TO IS 456 : 2000 OR AS SPECIFIED IN RESPECTIVE DWG.
6. THE REINFORCEMENT SHALL BE COLD TWISTED DEFORMED BARS (C.T.D) OR T.M.T. BARS HAVING YIELD STRENGTH NOT LESS THAN 500 N/mm² AND CONFORMING TO I.S. 1786 - 1979.
7. THE CLEAR COVER TO THE REINFORCEMENT SHALL BE AS FOLLOWS: -
 - (a) FOUNDATION: 60 MM surfaces in contact with earth
 - (b) COLUMNS : 40 MM
 - (c) BEAMS (top & bottom) : 25 MM side cover 25mm
 - (d) SLABS : 20 MM
 - (e) CHAJJAS/CANOPY : 20 MM
 - (f) R.C.C. WALL : 25 MM
8. NOMINAL COVER IS THE DEPTH OF CONCRETE COVER TO ALL STEEL REINFORCEMENT INCLUDING LINKS/ TIES/ STIRRUPS.
9. NOT MORE THAN 50% OF THE BARS SHALL BE LAPPED AT ANY SECTION. LAPS CLOSE TO THE MID SPAN IN BOTTOM BARS & CLOSE TO SUPPORTS IN TOP BARS SHALL BE AVOIDED.
9. - - - - - INDICATES TOP BARS
- - - - - INDICATES BOTTOM BARS

DOORS, WINDOWS & VENT. SCHEDULE.


No.	ITEM	L	B	H	SILL
	D	1.20		2.10	
	D2	1.05		2.10	
	D3	0.75		2.10	
	W	1.50		1.20	0.90
	W1	1.20		1.20	0.90
	V	0.60		0.45	

CLIENT:-
SHRI LINUS TOPPO
S/O- SHRI JOSEPH TOPPO
KHATA NO.-86 PLOT NO.-5223
THANA NO.- 80, MAUJA-GOTRA.

PROJECT TITLE
PROPOSED G+1 RESIDENTIAL BUILDING
FOR MR. LINUS TOPPO
DIPITOLI, SIMDEGA,
JHARKHAND.

DRAWING TITLE : SUBMISSION DRAWING
DWG NO. SB- 086

SCALE : N.T.S
DATE : 14-11-2022
DEALT : S.T.A

PROJECT NO. _____
CONSULTANT:-

ARCHITECT ! ENGINEERS ! PROJECT CONSULTANTS
Office : 1st FLOOR, OPP. GULZAR GALLI, MAIN ROAD SIMDEGA,
NEAR ANAND BHAVAN-835223.
TELEPHONE : +91-7070131170
E-mail : thecreation@gmail.com, .rgbsou@gmail.com.

DRAWING RELEASED FOR:
 APPROVAL SUBMISSION
 ADVANCE COPY CONSTRUCTION
 ENGINEER'S SIGN OWNER'S SIGN