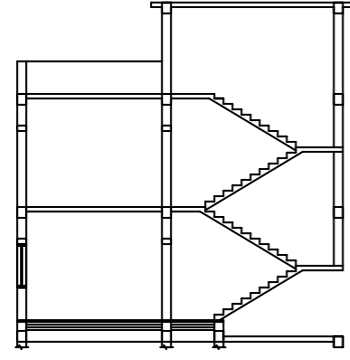
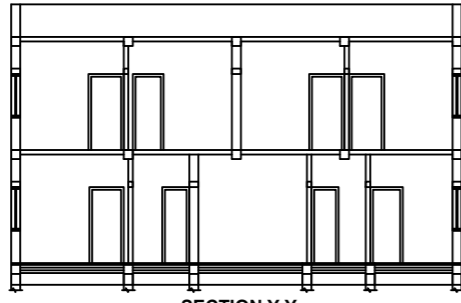


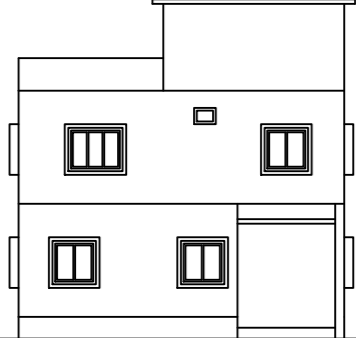
LOCATION PLAN



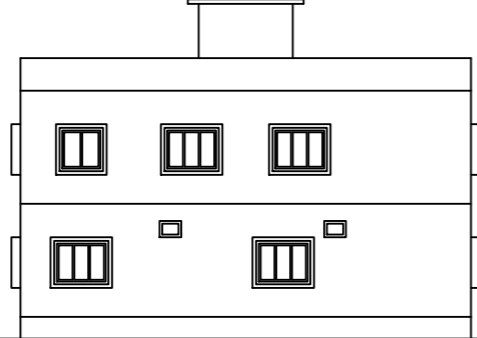
SECTION X-X



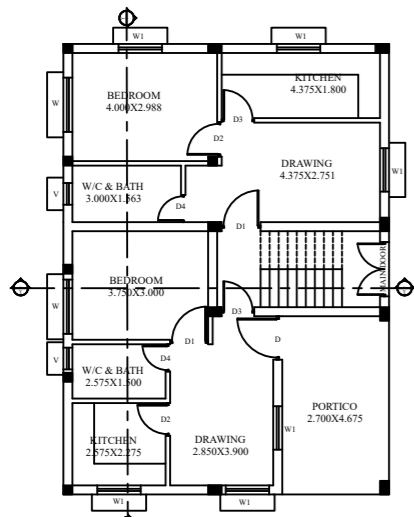
SECTION Y-Y



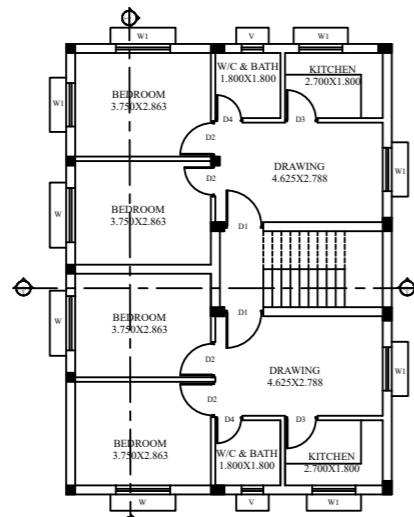
FRONT ELEVATION



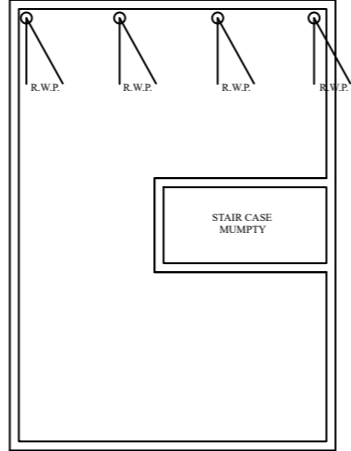
SIDE ELEVATION



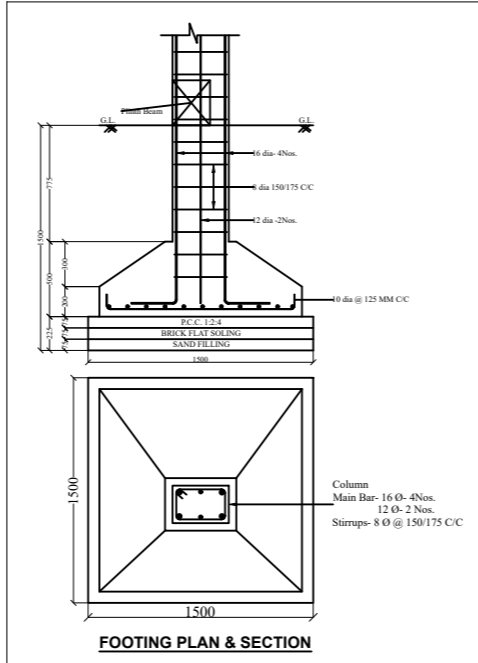
GROUND FLOOR PLAN



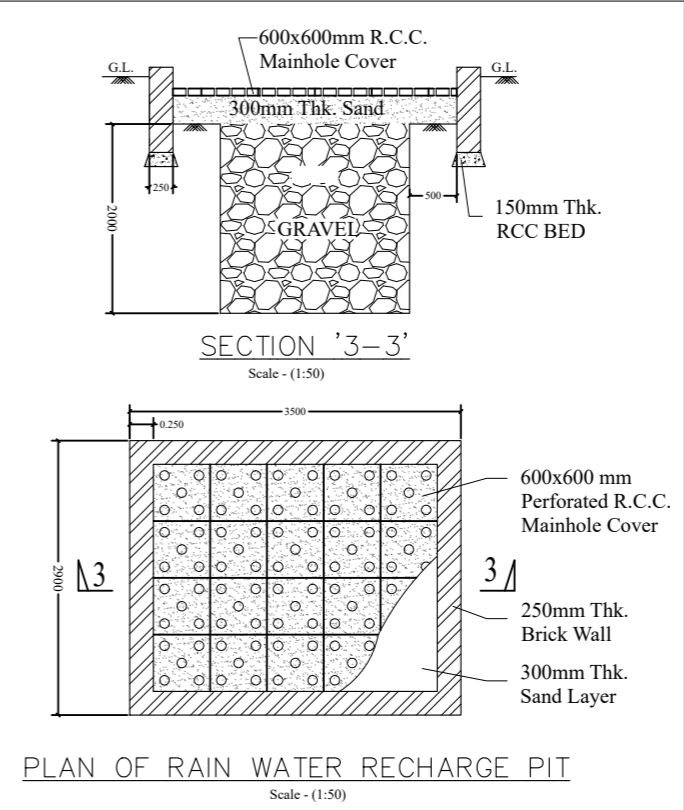
FIRST FLOOR PLAN



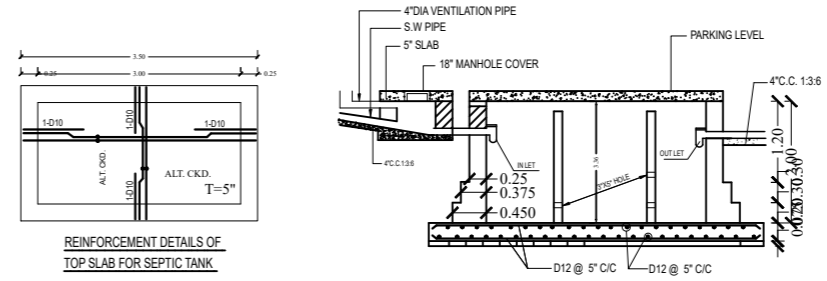
TERRACE PLAN



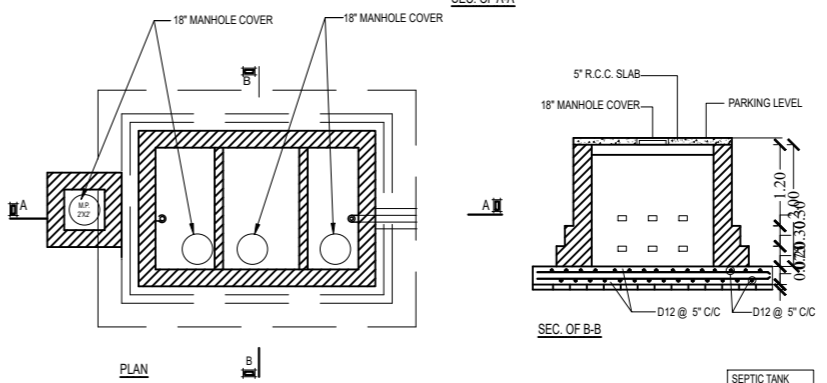
FOOTING PLAN & SECTION



PLAN OF RAIN WATER RECHARGE PIT



REINFORCEMENT DETAILS OF TOP SLAB FOR SEPTIC TANK



PLAN

SECTION OF B-B

SEPTIC TANK

- GENERAL NOTES - NOTES & REFERENCES**
1. READ THIS DRAWING IN CONJUNCTION WITH RELEVANT ARCHITECTURAL DRAWINGS. ANY DISCREPANCY IF FOUND SHALL BE BROUGHT TO THE NOTICE OF CONSULTANT
  2. ALL DIMENSIONS ARE IN MM & LEVELS IN MILLIMETERS.
  3. DO NOT SCALE ANY DIMENSION.
  4. CONFIRM LOCATION OF WALLS WITH RELEVANT ARCH. DRGS.
  5. FOR RCC WORK USE MIX M25 CONFORMING TO IS 456 : 2000 OR AS SPECIFIED IN RESPECTIVE DWG.
  6. THE REINFORCEMENT SHALL BE COLD TWISTED DEFORMED BARS (C.T.D) OR T.M.T. BARS HAVING YIELD STRENGTH NOT LESS THAN 500 N/mm<sup>2</sup> AND CONFORMING TO I.S. 1786 - 1979.
  7. THE CLEAR COVER TO THE REINFORCEMENT SHALL BE AS FOLLOWS: -
    - (a) FOUNDATION : 60 MM surfaces in contact with earth
    - (b) COLUMNS : 40 MM
    - (c) BEAMS (top & bottom) : 25 MM side cover 25mm
    - (d) SLABS : 20 MM
    - (e) CHAJJAS/CANOPY : 20 MM
    - (f) R.C.C. WALL : 25 MM
  8. NOT MORE THAN 50% OF THE BARS SHALL BE LAPPED AT ANY SECTION. LAPS CLOSE TO THE MID SPAN IN BOTTOM BARS & CLOSE TO SUPPORTS IN TOP BARS SHALL BE AVOIDED.
  9. - - - - - INDICATES TOP BARS  
 - - - - - INDICATES BOTTOM BARS

**DOORS, WINDOWS & VENT. SCHEDULE.**

No.	ITEM	L	B	H	SILL
	D	1.20		2.10	
	D2	1.05		2.10	
	D3	0.75		2.10	
	W	1.50		1.20	0.90
	W1	1.20		1.20	0.90
	V	0.60		0.45	

R1	14-12-2023	SUBMISSION DRAWING
R0		FOR APPROVAL

rev.no.      date      revision

CLIENT:-  
 SHRI BIPIN KERKETTA,  
 S/O- SHRI NIKOLAS KERKETTA,  
 KHATA NO.- 93, PLOT NO.-2081  
 THANA NO.- 116, MAUJA-SIMDEGA.

PROJECT TITLE  
 PROPOSED GROUND+1 RESIDENTIAL  
 BUILDING FOR MR.BIPIN KERKETTA,  
 GHOCHOTOLI,SIMDEGA,  
 JHARKHAND.

DRAWING TITLE :	DWG NO.
SUBMISSION DRAWING	SB- 086

SCALE	N.T.S
DATE	14-12-2023
DEALT	S.T.A

PROJECT NO.

CONSULTANT:-

ARCHITECT ! ENGINEERS ! PROJECT CONSULTANTS  
 Office : 1st FLOOR, OPP. GULZAR GALI, MAIN ROAD SIMDEGA,  
 NEAR ANAND BHAVAN-835223.  
 TELEPHONE : +91-7070131170  
 E-mail : thecreation@gmail.com, .ragbansu@gmail.com.

DRAWING RELEASED FOR:

APPROVAL       SUBMISSION  
 ADVANCE COPY       CONSTRUCTION

ENGINEER'S SIGN      OWNER'S SIGN