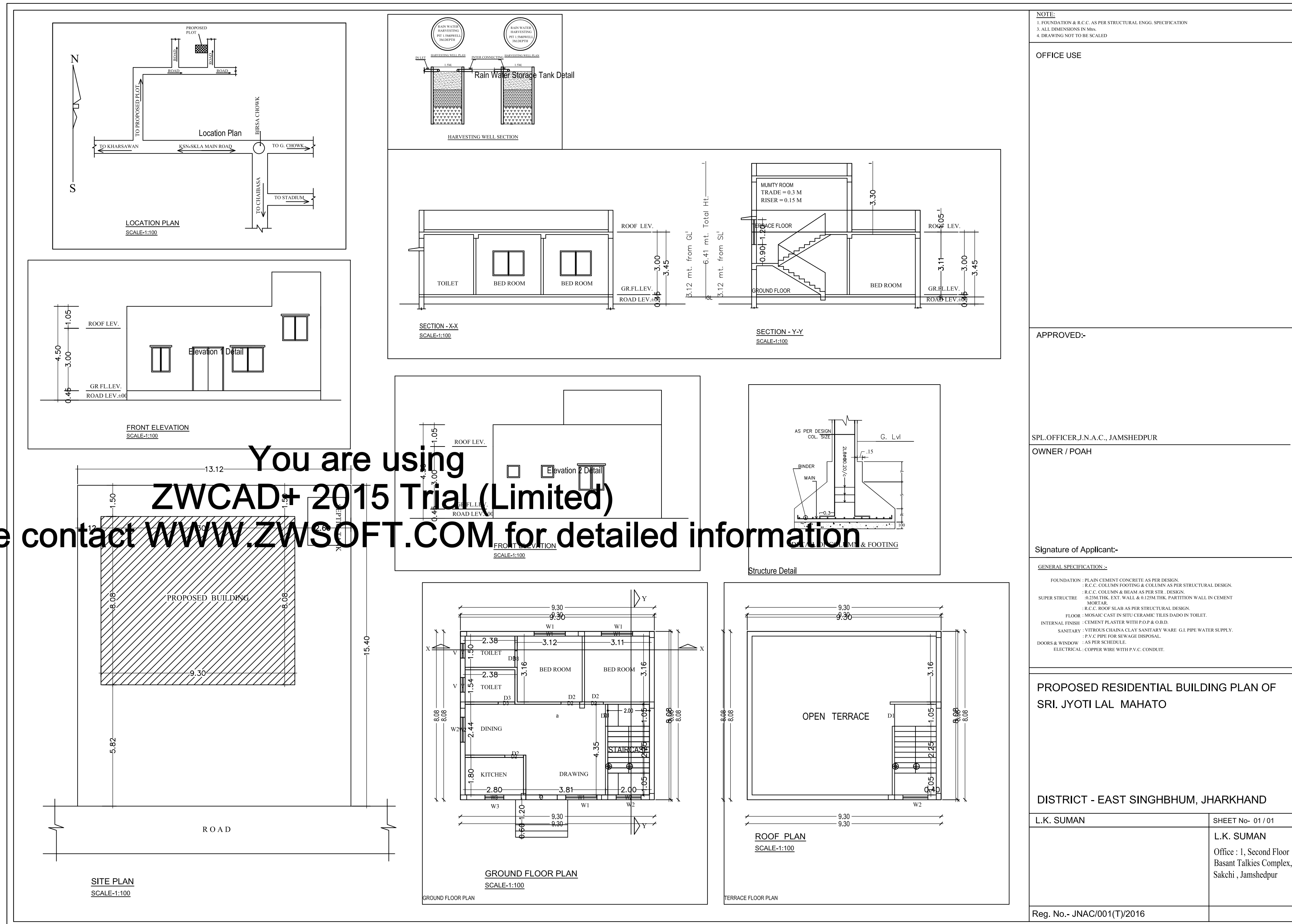
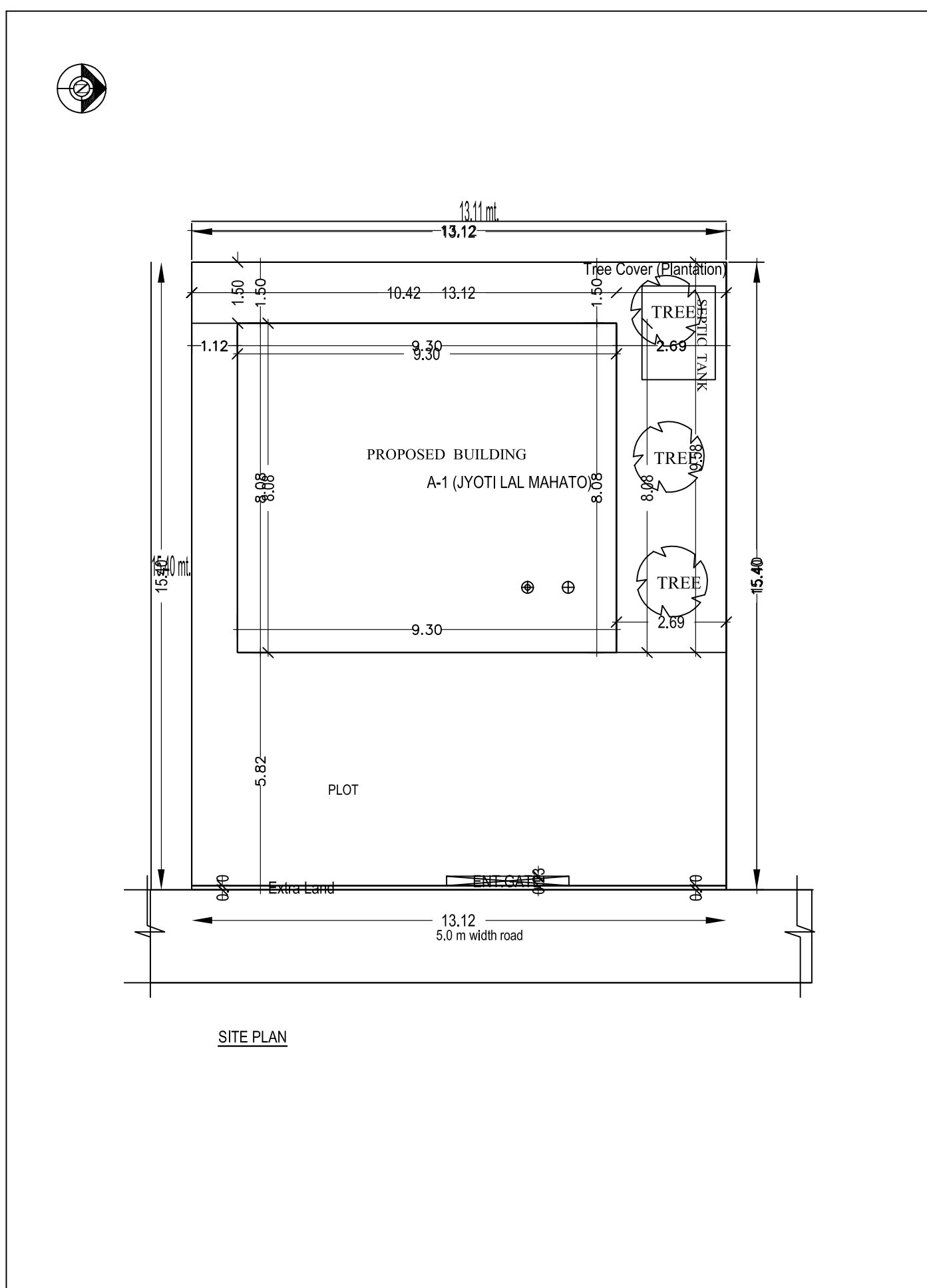


Project Title :SRI .JYOTILAL MAHATO



You are using  
**ZWCAD+ 2015 Trial (Limited)**  
 Please contact [WWW.ZWSOFT.COM](http://WWW.ZWSOFT.COM) for detailed information

**NOTE:**  
 1. FOUNDATION & R.C.C. AS PER STRUCTURAL ENGG. SPECIFICATION  
 2. ALL DIMENSIONS IN MM.  
 3. DRAWING NOT TO BE SCALED

OFFICE USE

APPROVED:-

SPL.OFFICER,J.N.A.C., JAMSHEDPUR  
 OWNER / POAH

Signature of Applicant:-

GENERAL SPECIFICATION :-

FOUNDATION : PLAN CEMENT CONCRETE AS PER DESIGN.  
 R.C.C. COLUMN FOOTING & COLUMN AS PER STRUCTURAL DESIGN.  
 R.C.C. COLUMN & BEAM AS PER STE. DESIGN.  
 SUPER STRUCTURE : 20MM THICK UNK. WALL & 10MM THICK PARTITION WALL IN CEMENT MORTAR.  
 R.C.C. ROOF SLAB AS PER STRUCTURAL DESIGN.  
 FLOOR : MORAIC CAST IN SITU CERAMIC TILES DADO IN TOILET.  
 INTERNAL FINISH : CEMENT PLASTER WITH POP & G.O.D.  
 SANITARY : VITRIBOR CHINA GLAZ SANITARY WARE. G.I PIPE WATER SUPPLY.  
 P.V.C PIPE FOR SEWAGE DISPOSAL.  
 DOORS & WINDOW : AS PER SCHEDULE.  
 ELECTRICAL : COPPER WIRE WITH P.V.C. CONDUIT.

PROPOSED RESIDENTIAL BUILDING PLAN OF  
 SRI. JYOTI LAL MAHATO

DISTRICT - EAST SINGHBHUM, JHARKHAND

L.K. SUMAN

SHEET No- 01 / 01

L.K. SUMAN  
 Office : 1, Second Floor  
 Basant Talkies Complex,  
 Sakchi , Jamshedpur

Reg. No.- JNAC/001(T)/2016

A (JYOTI LAL MAHATO)