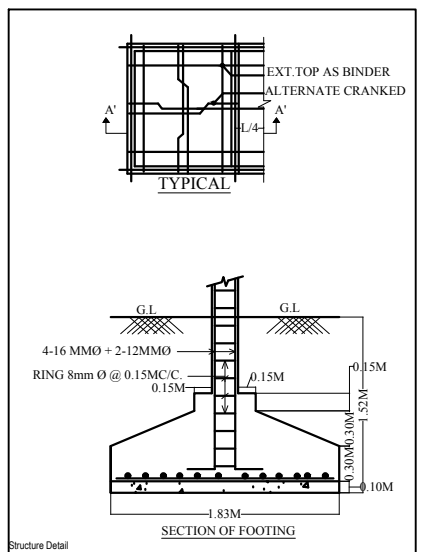
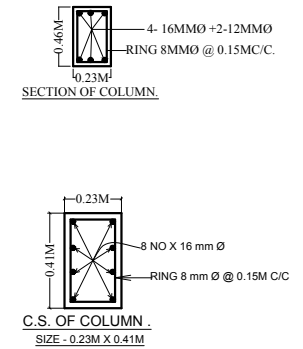
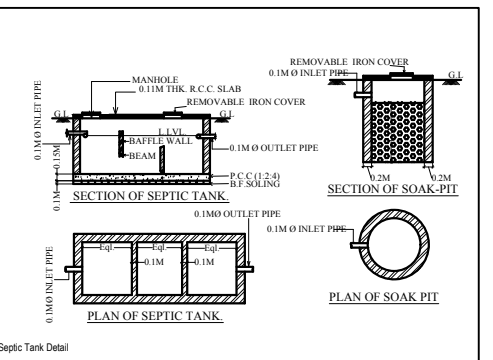
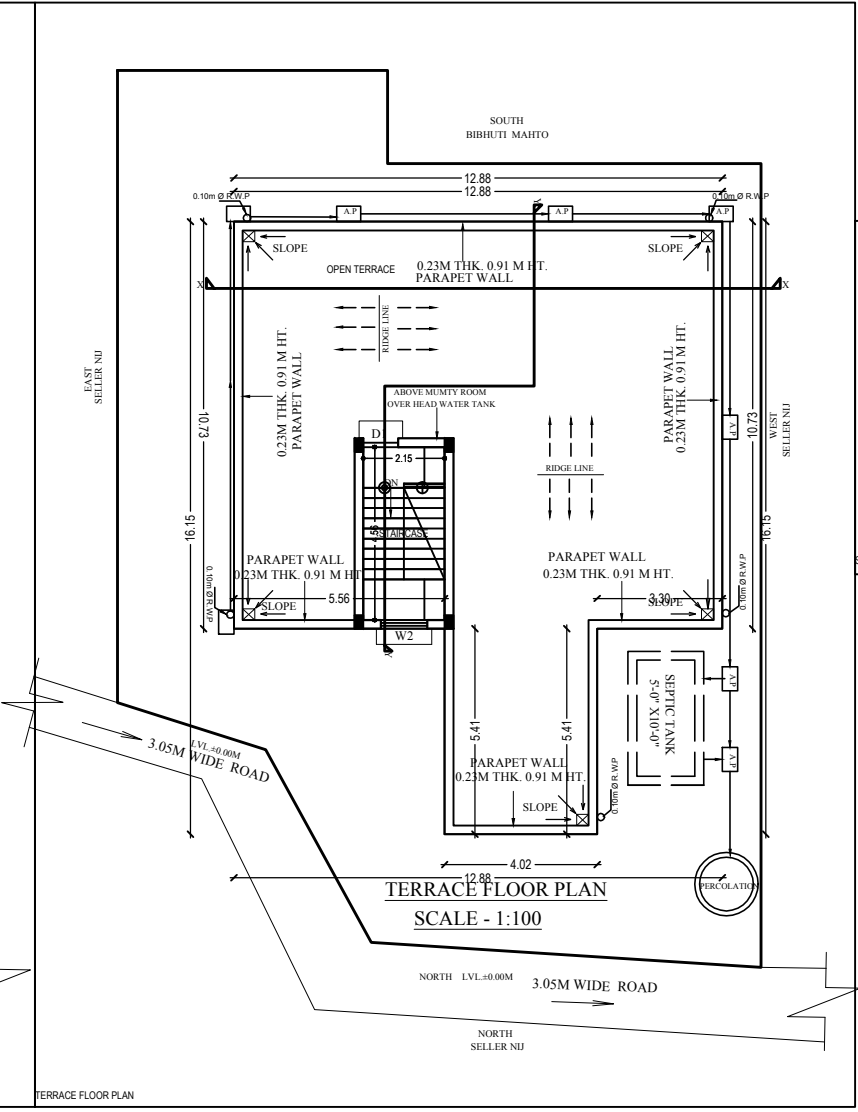
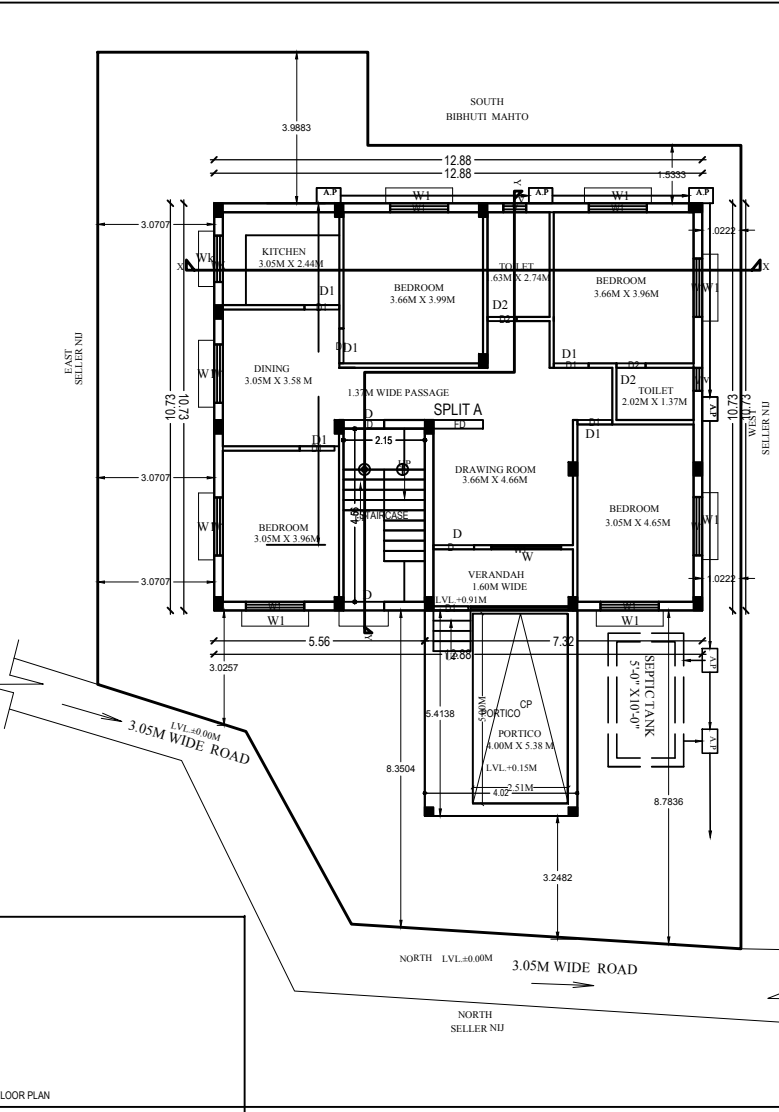


- GENERAL SPECIFICATION**
- CONCRETE AS PER DESIGN.
 - R.C.C. COLUMN FOOTING & COLUMN AS PER STRUCTURAL DESIGN.
 - R.C.C. COLUMN AND BEAM AS PER STRUCTURAL DESIGN.
 - 0.23M THK. EXTERNAL WALL & 0.11M THK. PARTITION WALL.
 - IN CEMENT MORTAR.
 - R.C.C. ROOF SLAB AS PER STRUCTURAL DESIGN.
 - FLOOR : I.P.S FLOORING ON P.C.C. BED ALL OVER FLOOR
 - INTERNAL FINISH : WHITE WASHING OVER CEMENT PLASTER
 - SANITARY : VITROUS CHAINA SANITARY WARE
 - : G.I. PIPE WATER SUPPLY.
 - : C.I. PIPE FOR DISPOSAL.
 - DOORS & WINDOWS : AS PER SCHEDULE.
 - ELECTRICAL : COPPER CONDUCTOR WITH P.V.C. CONDUIT.



AREA CALCULATION :-

PLOT AREA	= 335.91 SQMT
GROUND FLOOR AREA	= 158.08 SQMT
TOTAL	= 158.08 SQMT
COVERED AREA	= 158.08 SQMT
OPEN SPACE	= 335.91 - 158.08 = 177.83 SQMT
COVERAGE	: 158.08 X 100 / 335.91 = 47.06%
F.A.R. ACHIEVED	: 158.08 / 335.91 = 0.47

SCHEDULE OF OPENINGS

MKD.	SIZE	DESCRIPTION
D	3'-6"X7'-0"	Pannelled single shutter door.
D1	3'-0"X7'-0"	Pannelled single shutter door.
D2	2'-6"X7'-0"	Pannelled single shutter door.
W	5'-0"X4'-0"	Glazed steel framed window 3. shutt.
W1	3'-0"X4'-0"	Glazed steel framed window 2. shutt.
V	2'-0"X2'-0"	Top hung steel ventilator.
V1	1'-3"X2'-0"	Top hung steel ventilator.

PROPOSED RESIDENTIAL BUILDING FOR :
SRI MUKESH MAHTO , S/O SRI SRIKANT MAHATO
 PLOT NO. : 117 (UNDER DON II)
 : 124 (UNDER DON III)
 KHATA NO. : 198
 THANA : SERAIKELLA
 THANA NO : 301
 WARD NO. : 1
 MAUZA : SERAIKELLA
 DISTRICT : SERAIKELLA - KHARSWAN

ALL FLOOR PLAN SECTION & ELEVATION DRG.

SIGNATURE OF ARCHITECT / ENGINEER

SCALE : 1:100, 1:200 SHEET NO.- 1 OF 1

SIGNATURE OF OWNER

APPROVED AUTHORITY