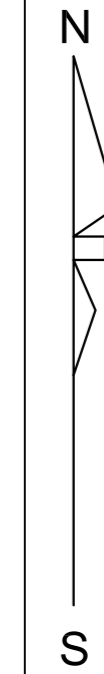


**SITE PLAN**  
SCALE: 1:100  
YEAR: 1999-09

SERAIKELLA MUNICIPALITY  
WARD NO - 01  
THANA - SERAIKELLA (299)  
DIST - SERAIKELLA-KHARSAWAN



N.B.-NEW WORK SITE SHOWN IN RED

**GENERAL SPECIFICATIONS:**

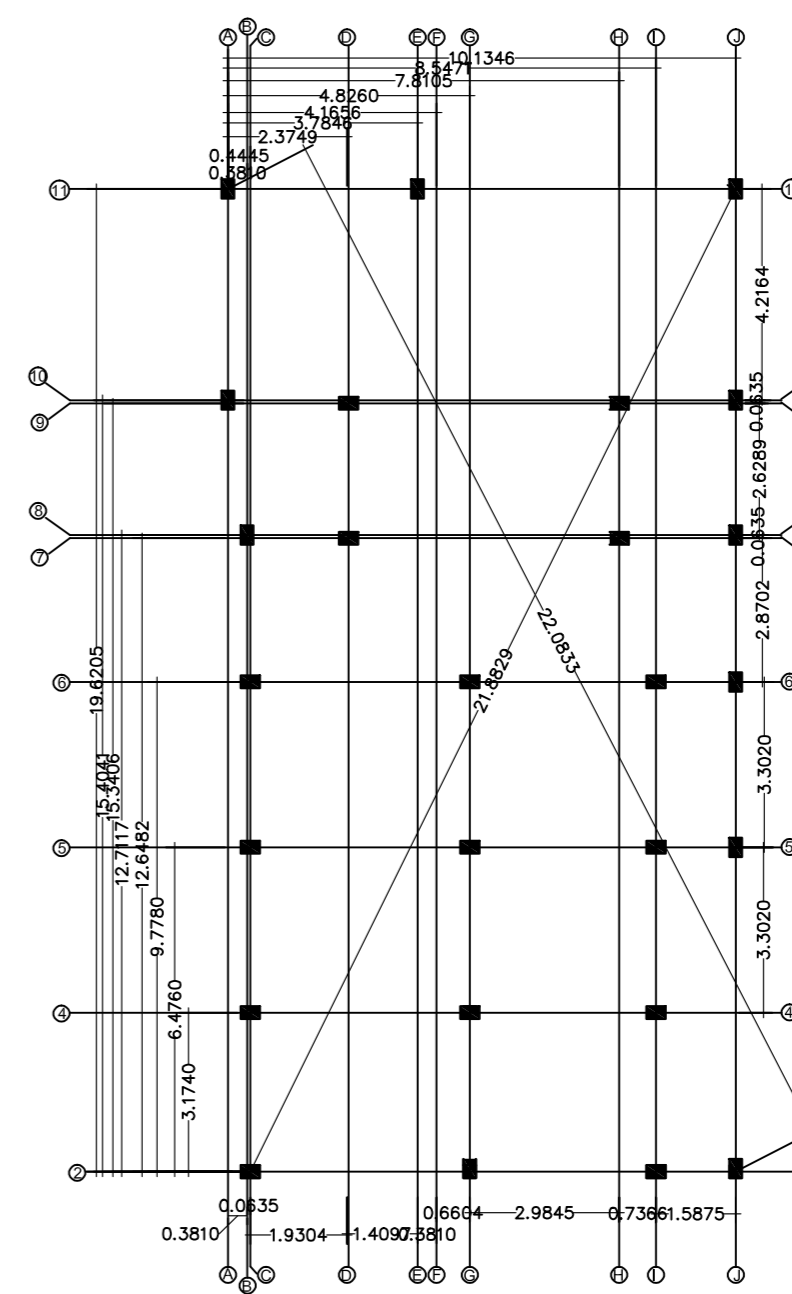
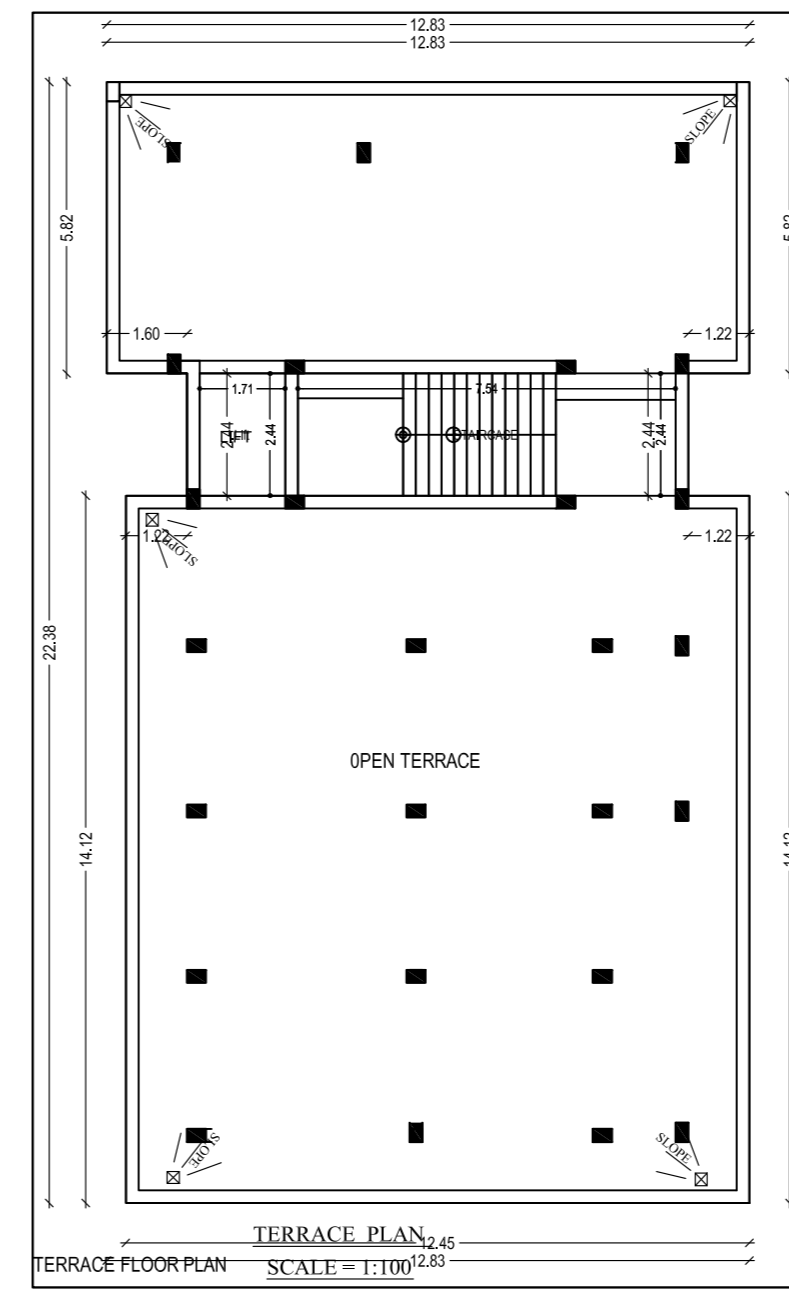
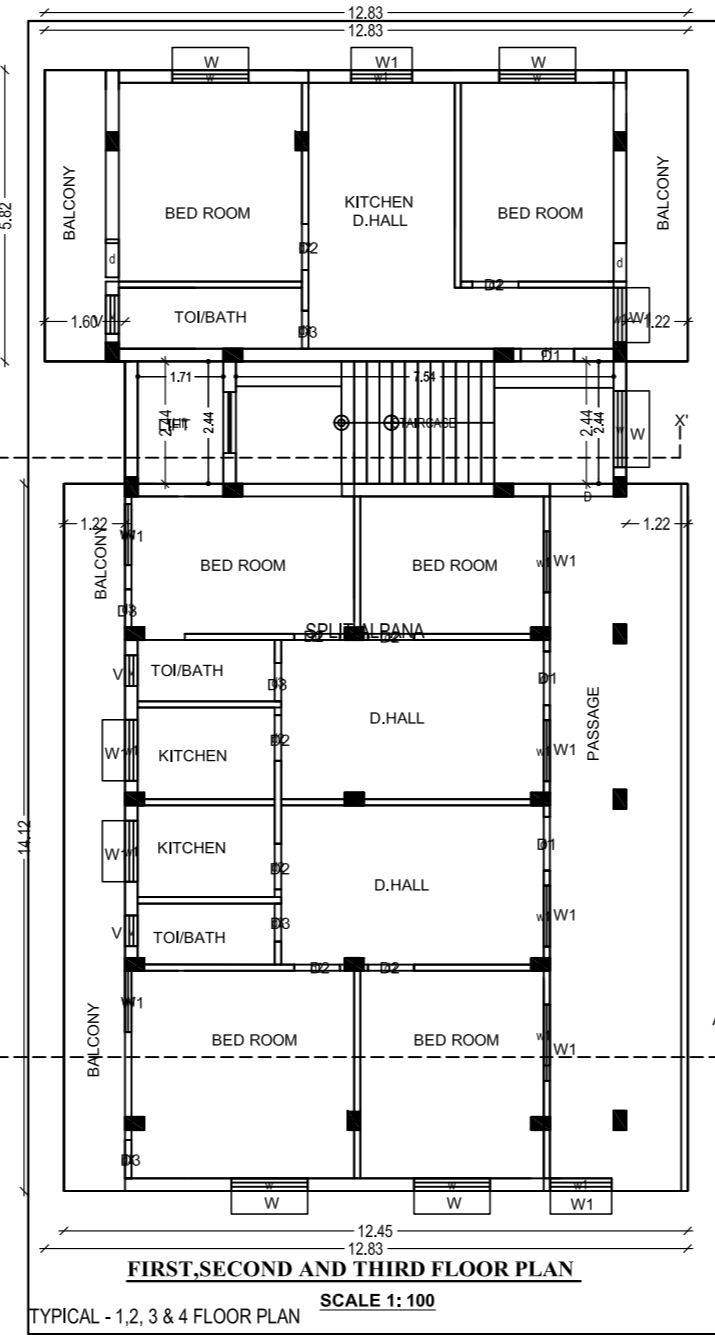
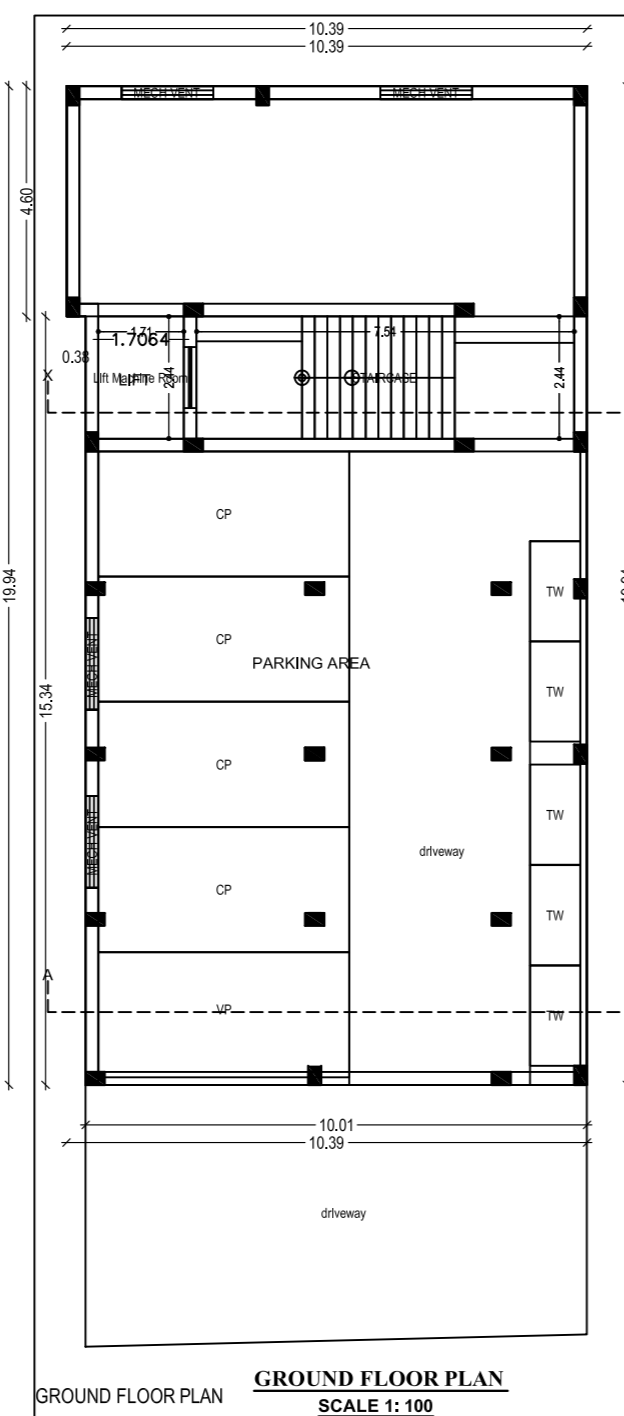
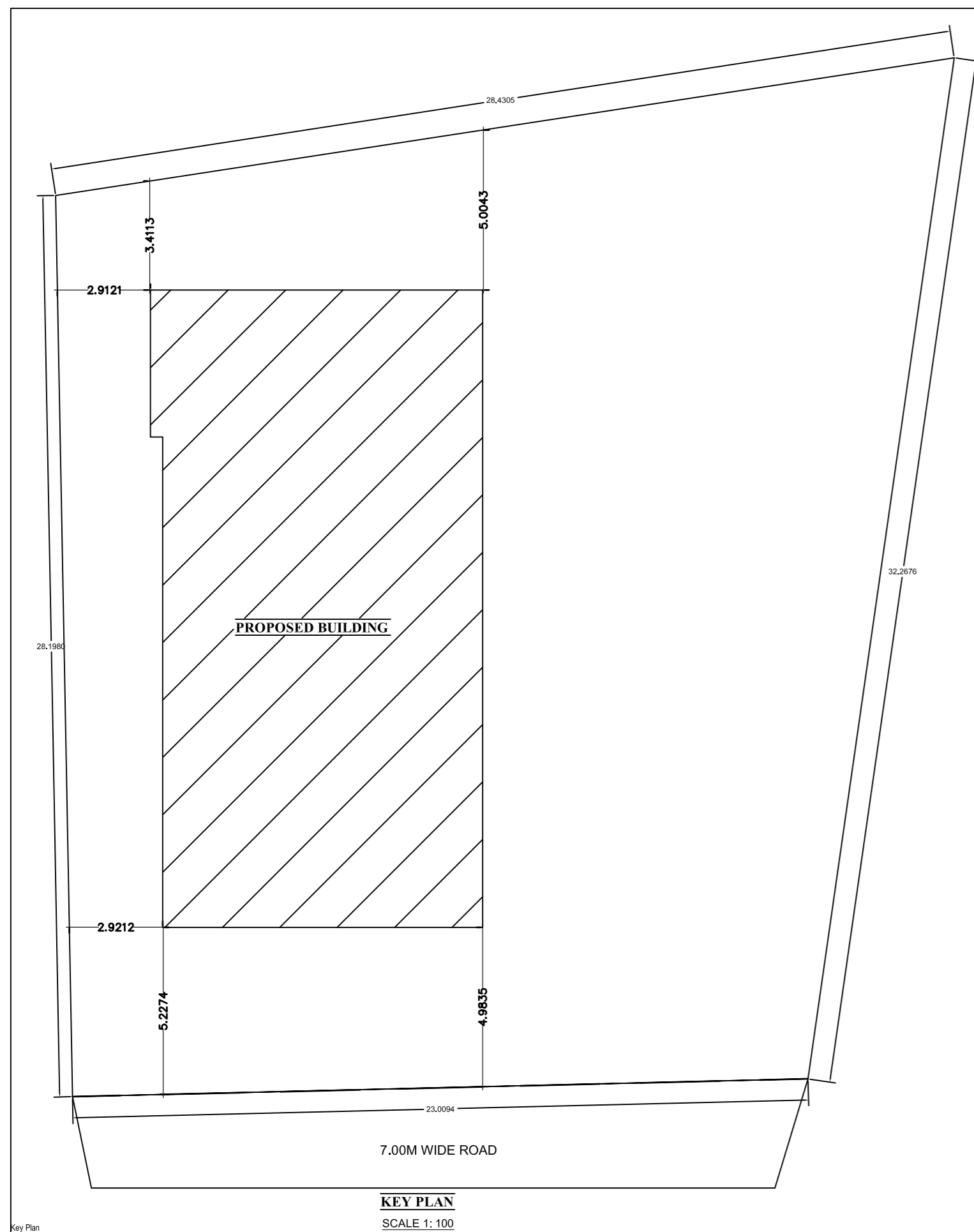
- FOUNDATION :** P.C.C. work should be as per design. R.C.C. column footing, Column & tie beam as per design work should be as per design.
- SUPERSTRUCTURE :** R.C.C. column, beam & roof slab as per design should be machine mixed or per grade of concrete. Lapping in reinforcement should be 50% dia of bar, chairs should be provided in roof slab, if required. Cement mortar for 25mm wall is (1:6) & for (1:4) for 217mm wall. Curing must be done for proper period.
- INTERNAL FINISHING:** IPS flooring in rooms, marble/ceramic tiles flooring in kitchen & toilet. POP in internal walls & glazed tiles up to 2.1 mtr in wall of toilet & kitchen.
- DOORS & WINDOWS:** As per schedule.
- SANITARY :** Vitreous china sanitary ware in toilets. G.I. pipe for hot water supply & UPVC pipes for cold water supply. PVC pipes for outlet.
- ELECTRIFICATION :** Multi strand copper wire of required gauge in wiring & pvc conduit casing. MCB to be provided for each room. Proper body earthing must be provided.

**SCHEDULE OF AREA**

PLOT AREA	: 761.99 Sq.M
BUILT UP AREA OF GROUND FLOOR	: 94.01 Sq.M
BUILT UP AREA OF FIRST FLOOR	: 231.50 Sq.M
BUILT UP AREA OF SECOND FLOOR	: 231.50 Sq.M
BUILT UP AREA OF THIRD FLOOR	: 231.50 Sq.M
<b>TOTAL BUILT UP AREA</b>	<b>: 788.51 Sq.M</b>
PARKING AREA	: 137.49 Sq.M
COVERED AREA	: 231.50 Sq.M
GROSS COVERED AREA	: 231.50 X 100 = 30.38%
	761.99
F.A.R. ACHIEVED	: 788.51/761.99 = 1.03

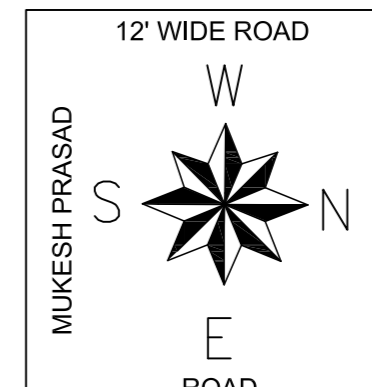
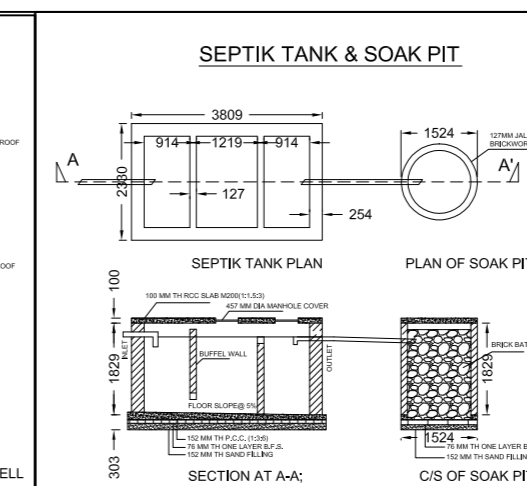
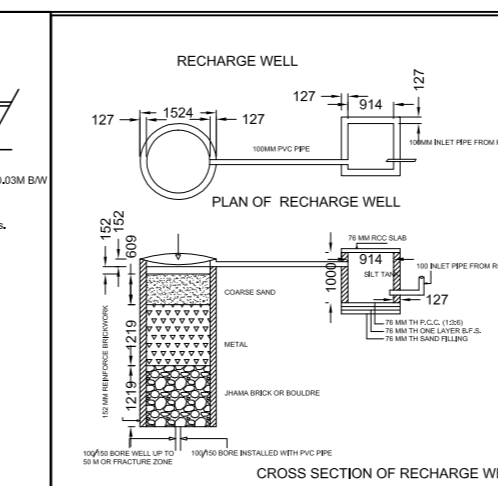
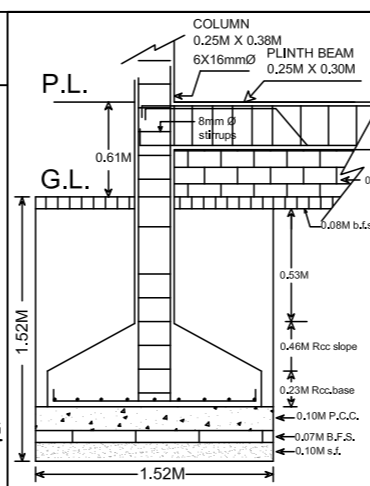
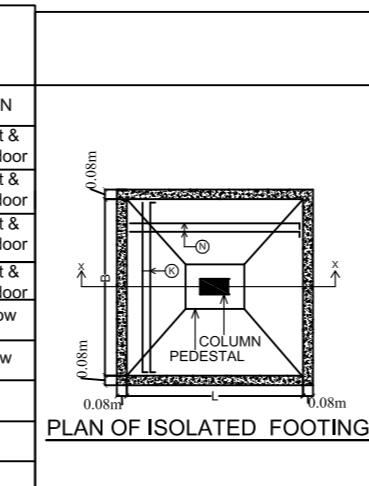
**PROPOSED RESIDENTIAL BUILDING FOR SMT. ALPANA SAHU**  
W/O : SRI. PRAVEEN KUMAR SAHU.  
AT TOWN : SERAIKELLA ,  
KHATA NO : 39 , PLOT NO : 292/A & 298/A  
RAKWA : 18.83 Deg , MOUJA : WARD NO 1  
THANA : SERAIKELLA , THANA NO : 294  
DISTRICT : SERAIKELLA-KHARSAWAN,  
JHARKHAND

SCALE : 1:100 AS MENTIONED IN DRAWINGS



**SCHEDULE OF OPENINGS**

SL.NO.	ITEM	DIMENSION	DESCRIPTION
1	D	1270 X 2134	Ssl wood charkhat & Ready made Flush door
2	D1	1067 X 2134	Ssl wood charkhat & Ready made Flush door
3	D2	914 X 2134	Ssl wood charkhat & Ready made Flush door
4	D3	762 X 2134	Ssl wood charkhat & Ready made Flush door
5	W	1524 X 1219	Fully glazed window
6	W1	1219 X 1219	Fully glazed window
7	V	609x609	Ceiling Ventilator
8	S	3050 X 2134	Steel Shutter



SIGNATURE OF OWNER

SIGNATURE OF REGISTERED CONSULTANT NAC SERAIKELLA

SIGNATURE OF ENGINEER NAC SERAIKELLA

SIGNATURE OF EXECUTIVE OFFICER NAC SERAIKELLA