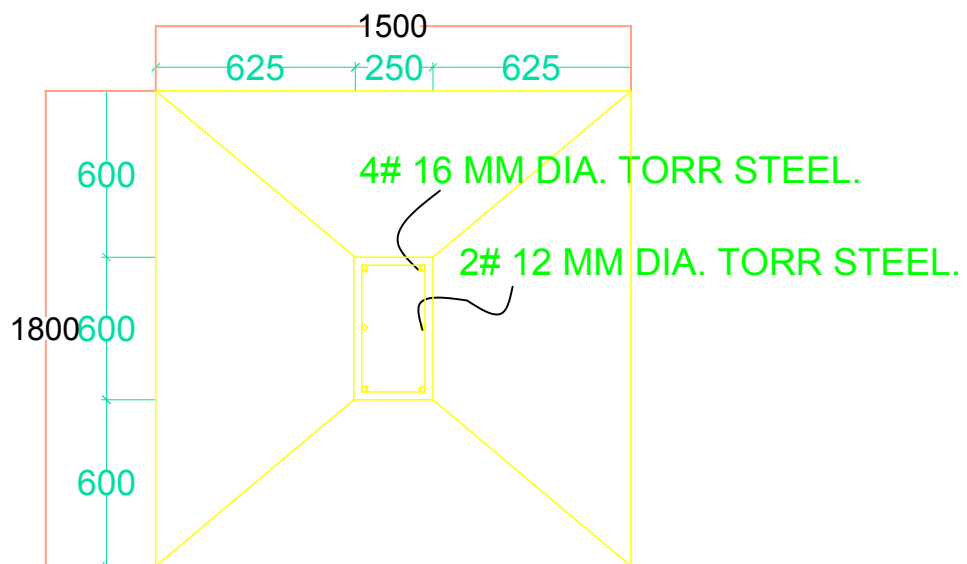


## SECTION

FOUNDATION DETAILS (ISOLATED R.C.C FOOTING)



## PLAN