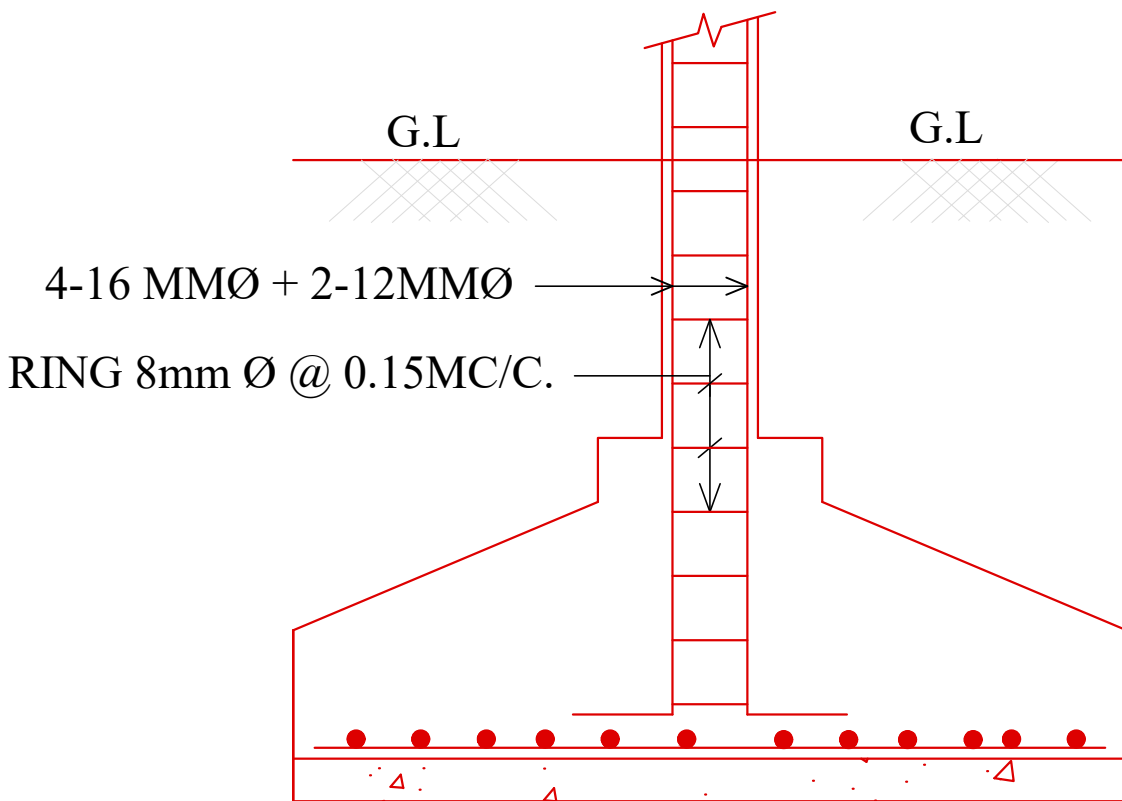


PLAN OF ISOLATED FOOTING



EXISTING SECTION OF FOOTING