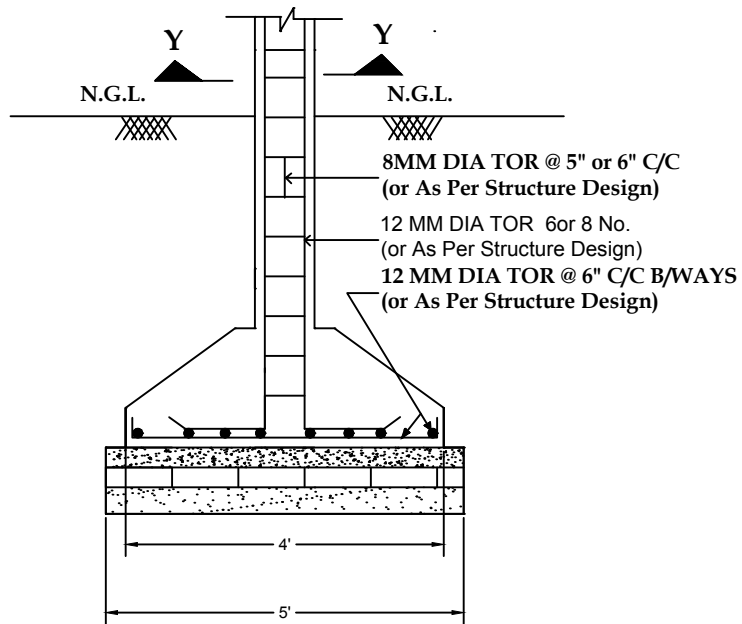
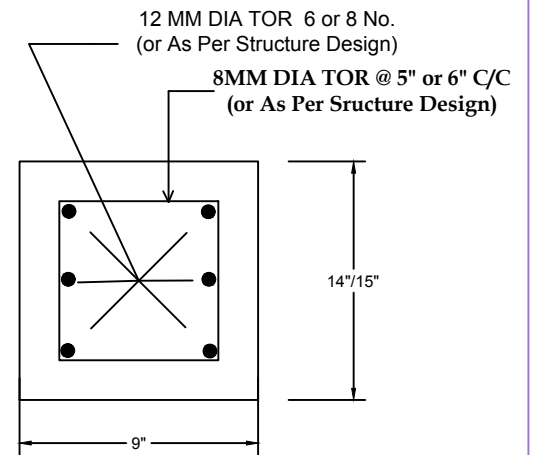


PLAN
DET. OF FOUNDATION
(SCALE - 1 : 24)



SECTION AT X - X
(SCALE - 1 : 24)



COLUMN
SECTION AT Y - Y
(NOT TO SCALE)