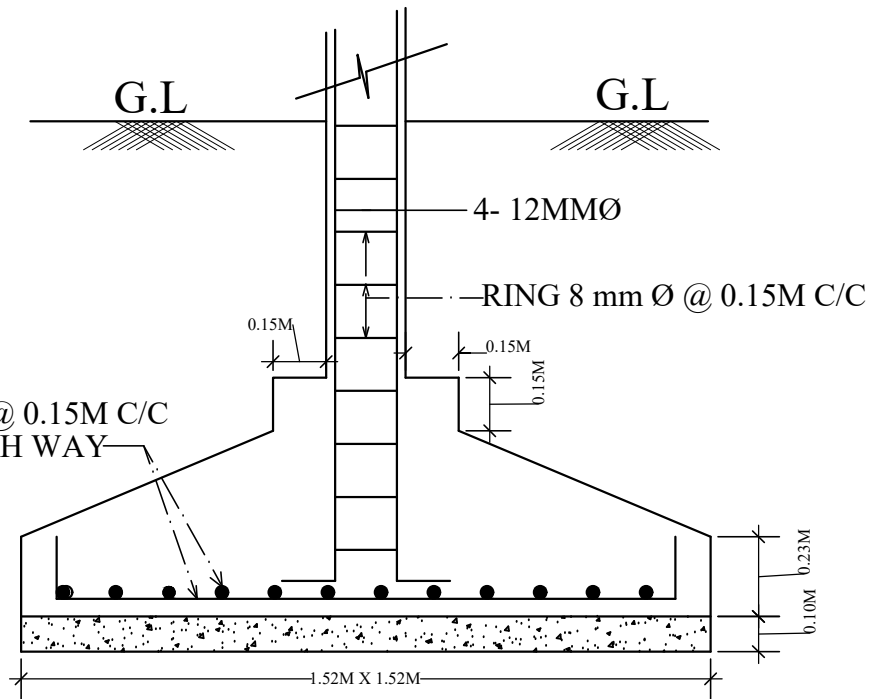
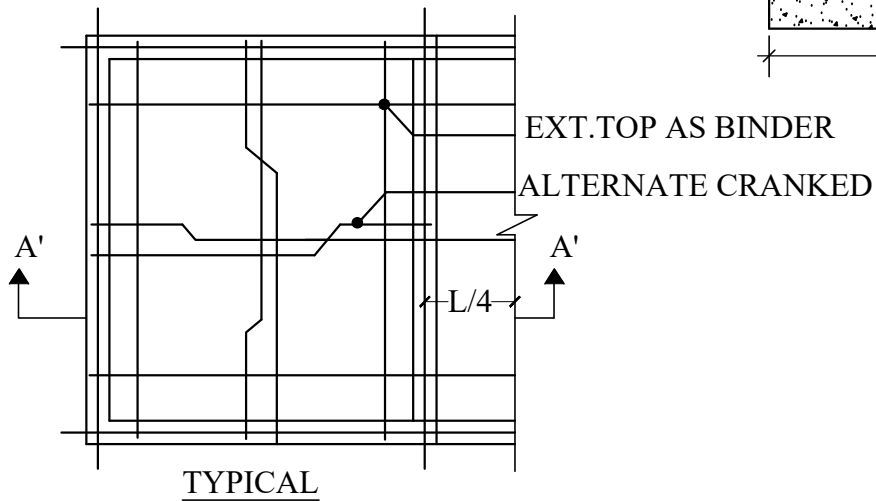


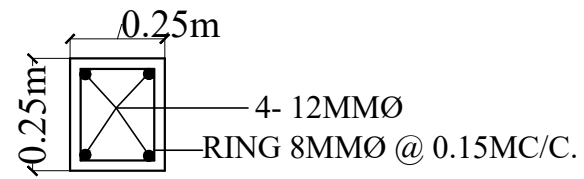
PLAN OF ISOLATED FOOTING



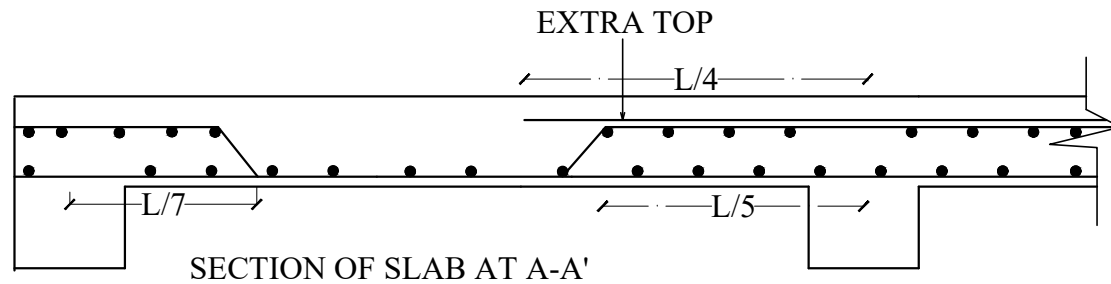
SECTION OF FOOTING .



TYPICAL



SECTION OF COLUMN.



SECTION OF SLAB AT A-A'