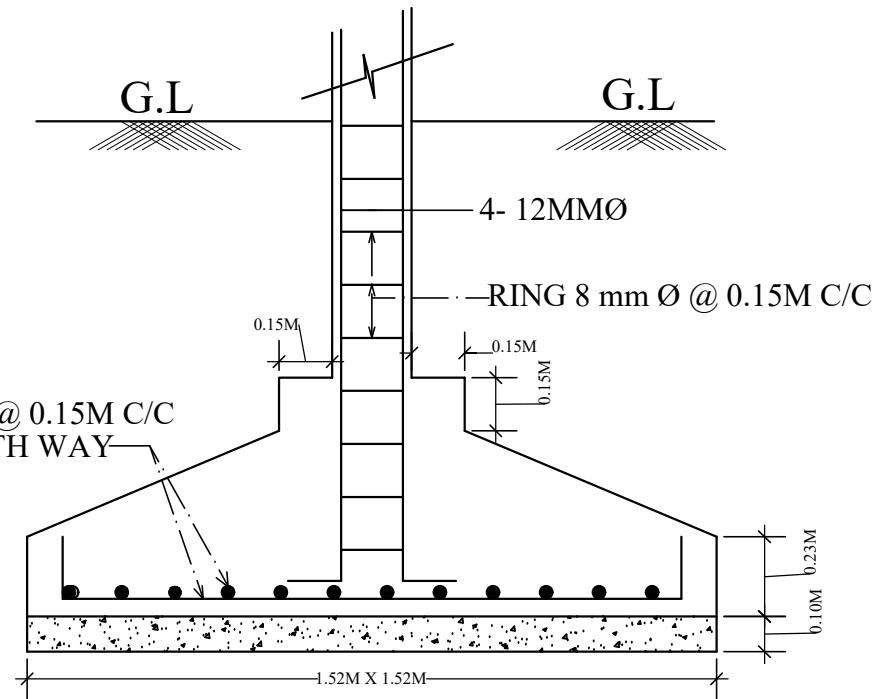
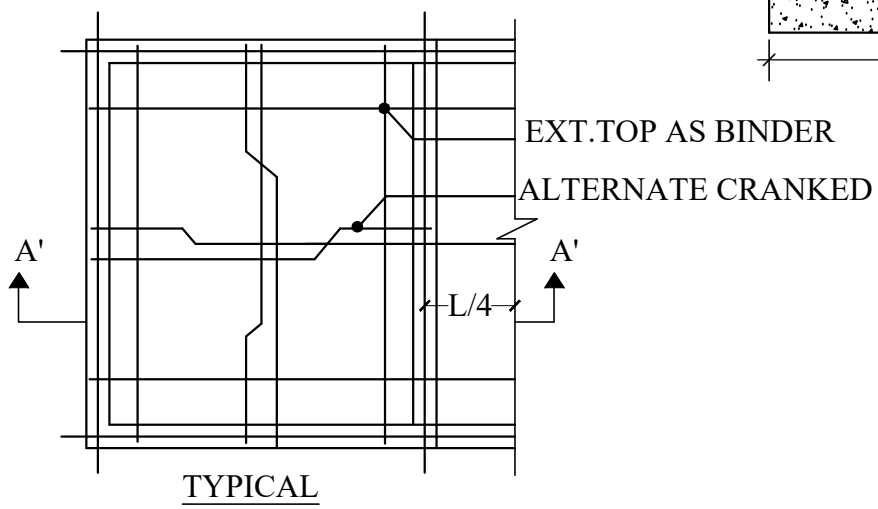


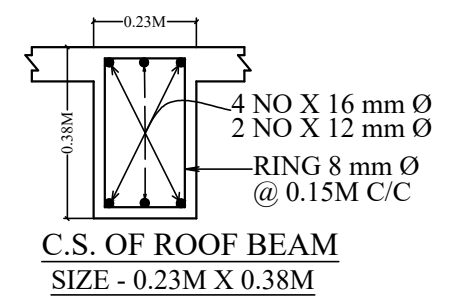
**PLAN OF ISOLATED FOOTING**



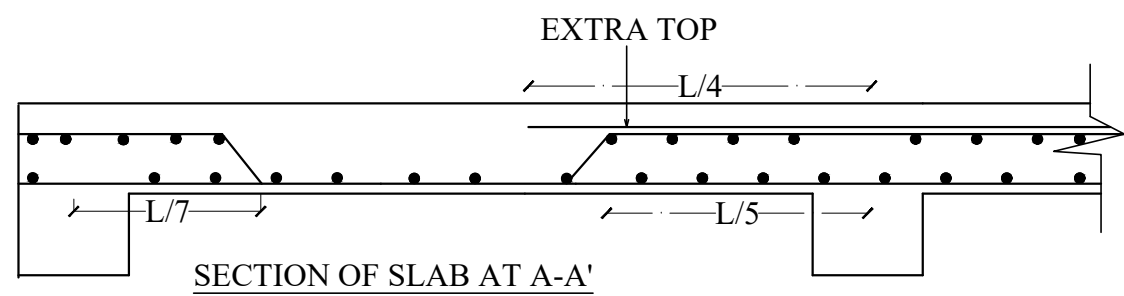
**SECTION OF FOOTING .**



**TYPICAL**



**C.S. OF ROOF BEAM  
SIZE - 0.23M X 0.38M**



**SECTION OF SLAB AT A-A'**