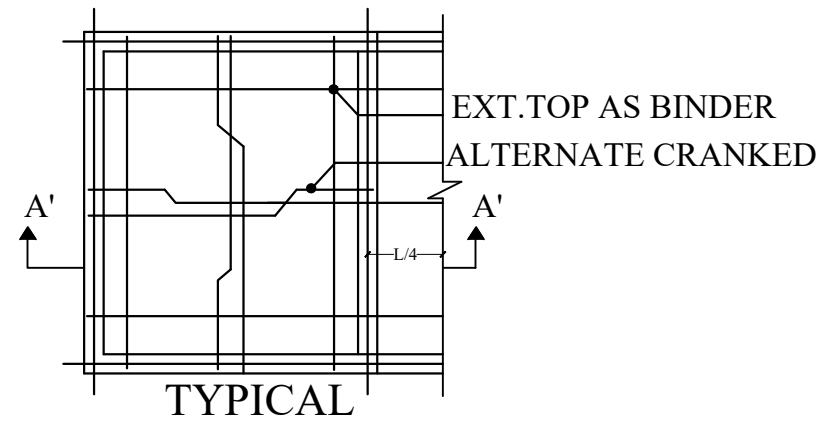
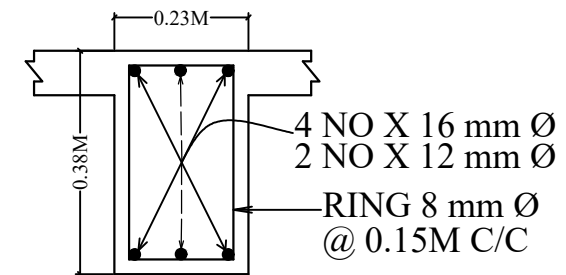


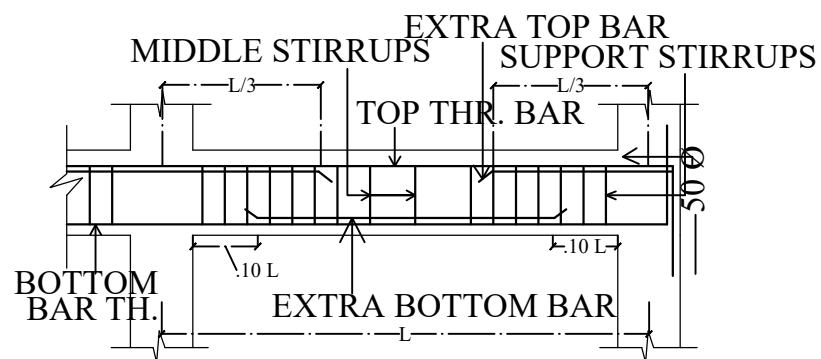
PLAN OF ISOLATED FOOTING



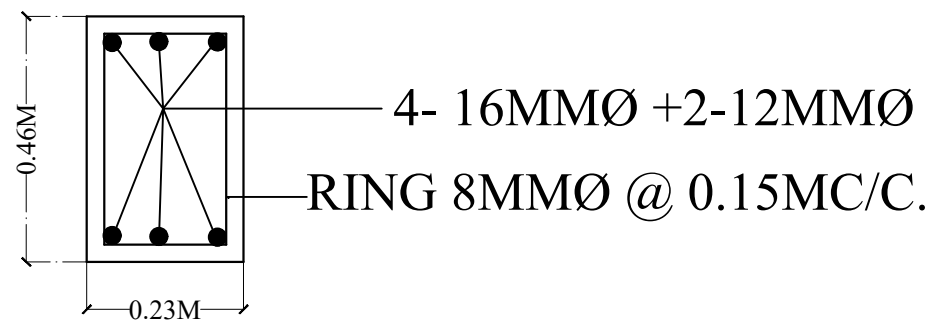
TYPICAL



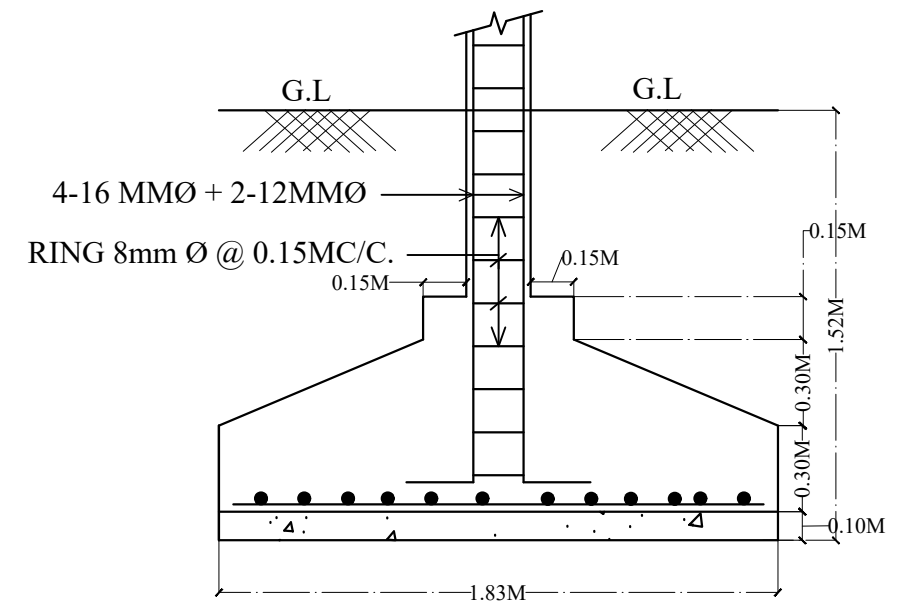
C.S. OF ROOF BEAM
SIZE - 0.23M X 0.38M



SECTION OF TYPICAL FLOOR BEAM



SECTION OF COLUMN.



SECTION OF FOOTING