

Building :A (RESIDENTIAL)

Floor Name	Total Built Up Area (Sq.mt.)	Deductions (Area in Sq.mt.)		Proposed FAR Area (Sq.mt.)	Total FAR Area (Sq.mt.)	Total Consumed Additional FAR Area (Sq.mt.)	Tnmt (No.)
		Parking	Resi.				
Ground Floor	88.62	32.89	55.73	55.73	107.34	55.73	01
First Floor	107.34	0.00	107.34	107.34	107.34	0.00	00
Terrace Floor	0.00	0.00	0.00	0.00	0.00	0.00	00
Total :	195.96	32.89	163.07	163.07	163.07	163.07	01
Total Number of Same Buildings	1						
Total :	195.96	32.89	163.07	163.07	163.07	163.07	01

SCHEDULE OF DOOR:

BUILDING NAME	NAME	LENGTH	HEIGHT	NOS
A (RESIDENTIAL)	D2	0.75	2.10	03
A (RESIDENTIAL)	D1	0.90	2.10	10
A (RESIDENTIAL)	D	1.07	2.10	03

SCHEDULE OF WINDOW/VENTILATION:

BUILDING NAME	NAME	LENGTH	HEIGHT	NOS
A (RESIDENTIAL)	V	0.60	0.90	03
A (RESIDENTIAL)	W1	1.22	1.20	13

UnitBUA Table for Building :A (RESIDENTIAL)

FLOOR	Name	UnitBUA Type	UnitBUA Area	Carpet Area	No. of Rooms	No. of Tenement
GROUND FLOOR PLAN	SPLIT A	FLAT	128.39	121.38	4	1
FIRST FLOOR PLAN	SPLIT A	FLAT	0.00	0.00	10	0
Total:			128.39	121.38	14	1

Proposal Basic Information

Proposal File No.	SNPC/BP/0024/W01/2023
Owner Name	ANJANA MAHATO
Khata No	2
Plot No	282
Village Name	Gutusiai
Use	Residential
SubUse	Bungalow/ Dwelling / Non Apartment

AREA STATEMENT
SARAIKELA NAGAR PANCHAYAT
VERSION NO : 1.0.66
VERSION DATE: 16/10/2020

Region	Plot Use
JHARKHAND URBAN LOCAL BODIES	Residential
District: SARAIKELA	Plot SubUse: Bungalow/ Dwelling / Non Apartment
Authority: SARAIKELA NAGAR PANCHAYAT	PlotNearbyReligiousStructure: NA
Inward No: SNPC/BP/0024/W01/2023	PlotSubPlot No: 282
Application Type: General Proposal	North: Road Width - 3.66
Project Type: Building Permission	South: Plot No. - 282
Nature of Development: New	East: Survey No. - SIMANA OF PANICHATTAR
Location of Development Area: Old Area	West: Road Width - 4.87

AREA DETAILS:	AREA	SQ.MT.
AREA OF PLOT (Minimum)	(A)	132.85
NET AREA OF PLOT (Gross Plot Area - Deduction from Gross Plot area)	(A-Deductions)	132.85
Deduction for Balance Plot Area (from Gross Plot Area)		
Common Plot		15.10
Total		117.75
BALANCE AREA OF PLOT (Net Plot Area - Recreational/Amenity space)	(A-Deductions)	117.75
PLOT AREA FOR COVERAGE (Net Plot Area)	(A-Deductions)	132.85
Plot Area for FAR (Net Plot Area + Road Widening Area)	(A-Deductions)	132.85

COVERAGE CHECK		
Permissible Coverage area (70.00 %)		93.00
Proposed Coverage Area (66.70 %)		88.61
Total Prop. Coverage Area (66.7 %)		88.61
Balance coverage area (3.30 %)		4.39

FAR CHECK		
Perm. FAR Area (1.800)		239.13
Total Perm. FAR area		239.13
Residential FAR		163.07
Proposed FAR Area		163.07
Total Proposed FAR Area		163.07
Consumed FAR (Factor)		1.23
Balance FAR Area		76.06

BUILT UP AREA CHECK		
Total Proposed BuiltUp Area		195.96

ARCHITECT (Regd)	DURGA PRASAD DUBEY
ENGINEER (Regd)	
SUPERVISOR (Regd)	
OWNER (Regd)	ANJANA MAHATO

COLOR INDEX

PLOT BOUNDARY	Black
ABUTTING ROAD	Green
PROPOSED CONSTRUCTION	Red
COMMON PLOT	Yellow
ROAD WIDENING AREA	Blue
EXISTING (To be retained)	Light Blue
EXISTING (To be demolished)	Dark Blue

Buildingwise Floor FAR Details

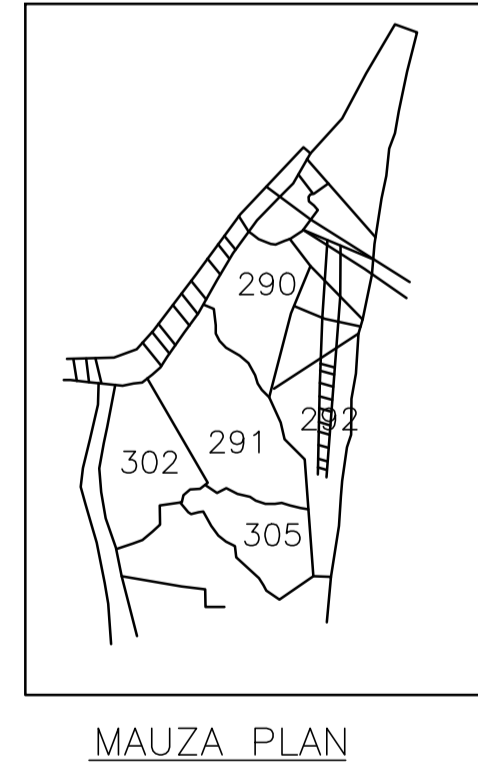
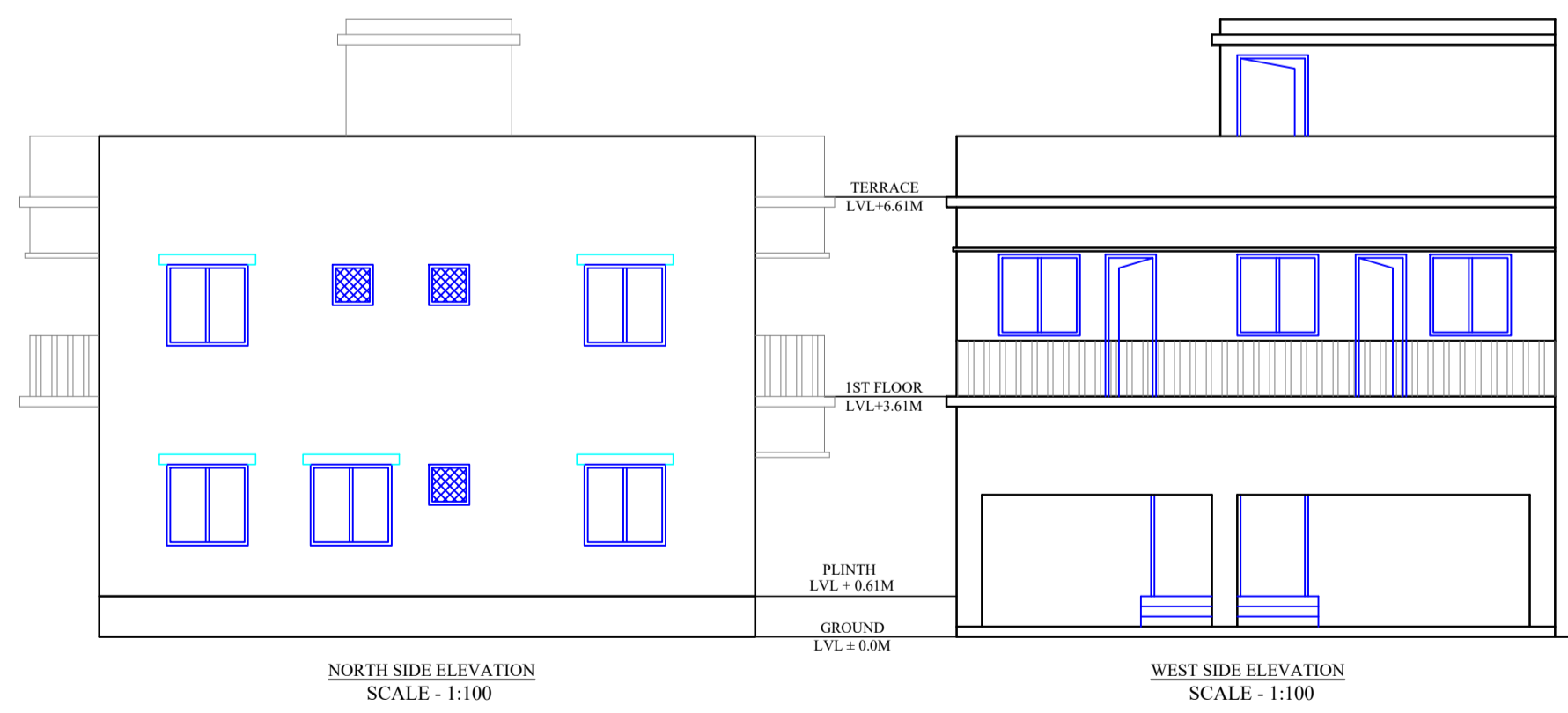
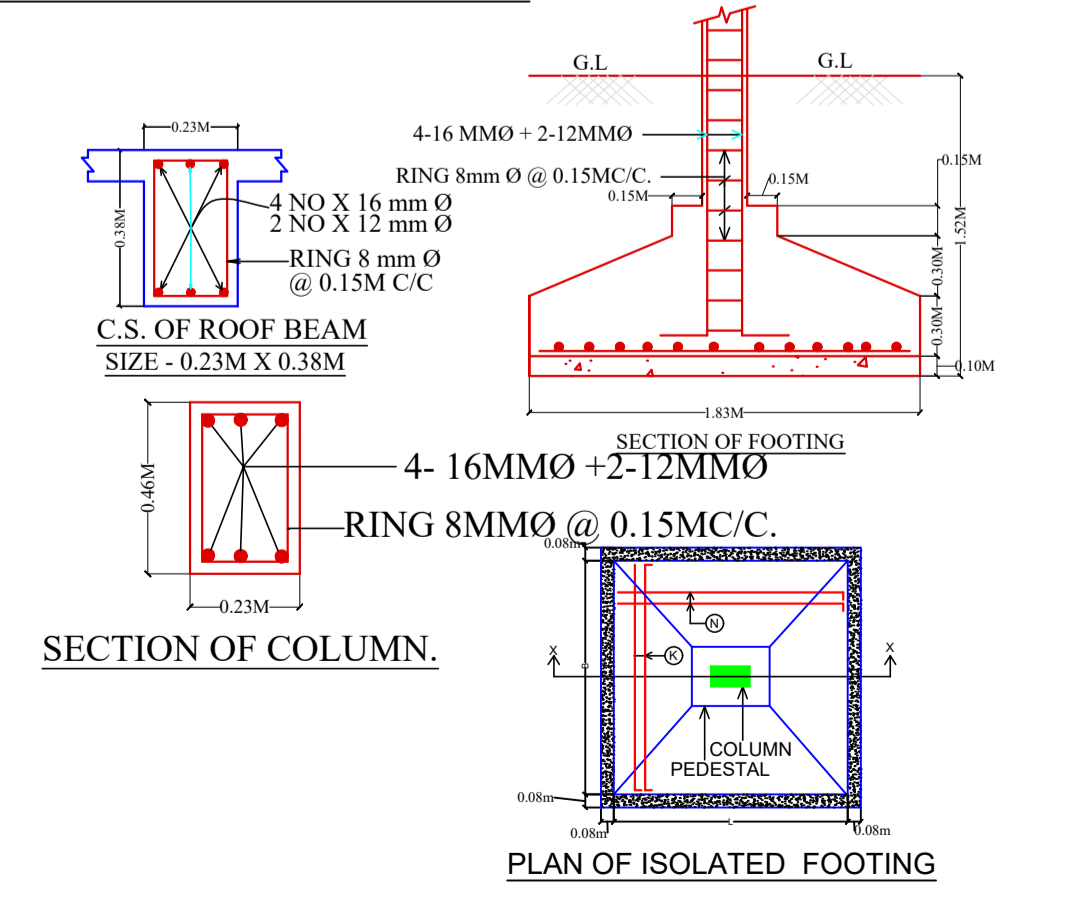
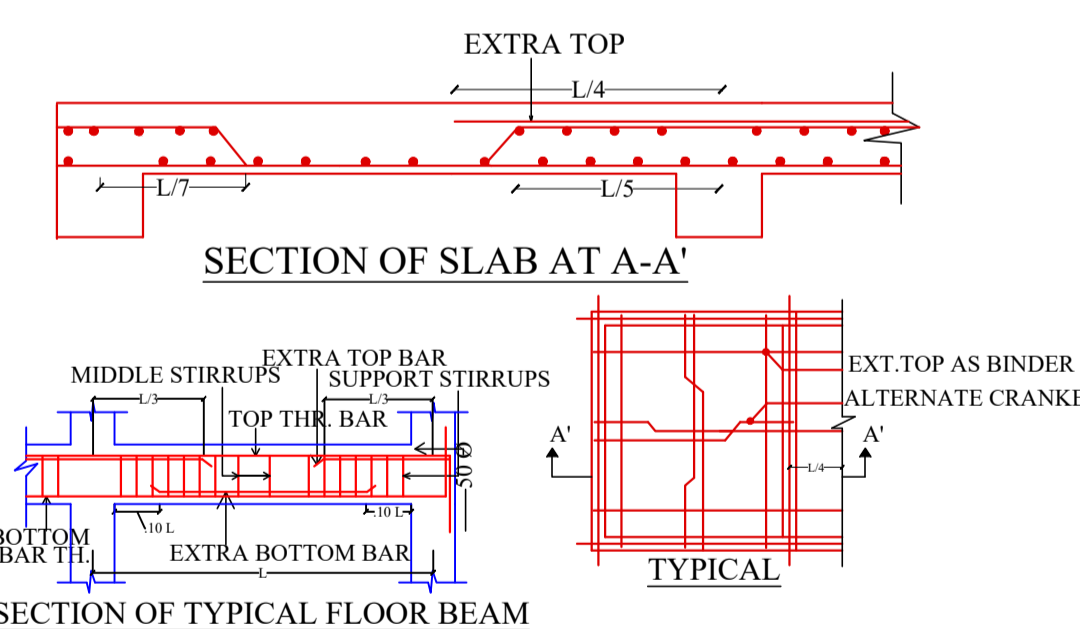
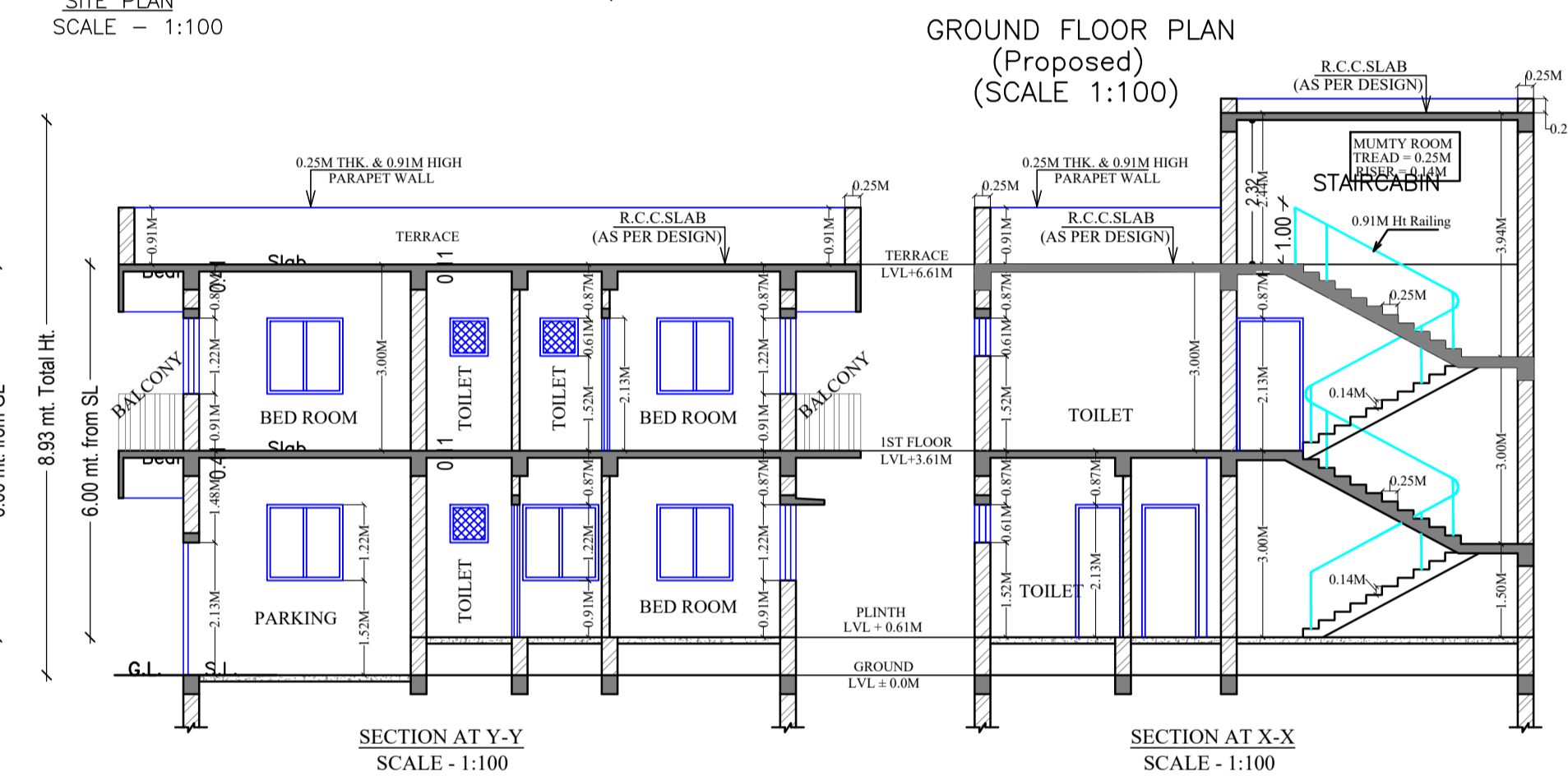
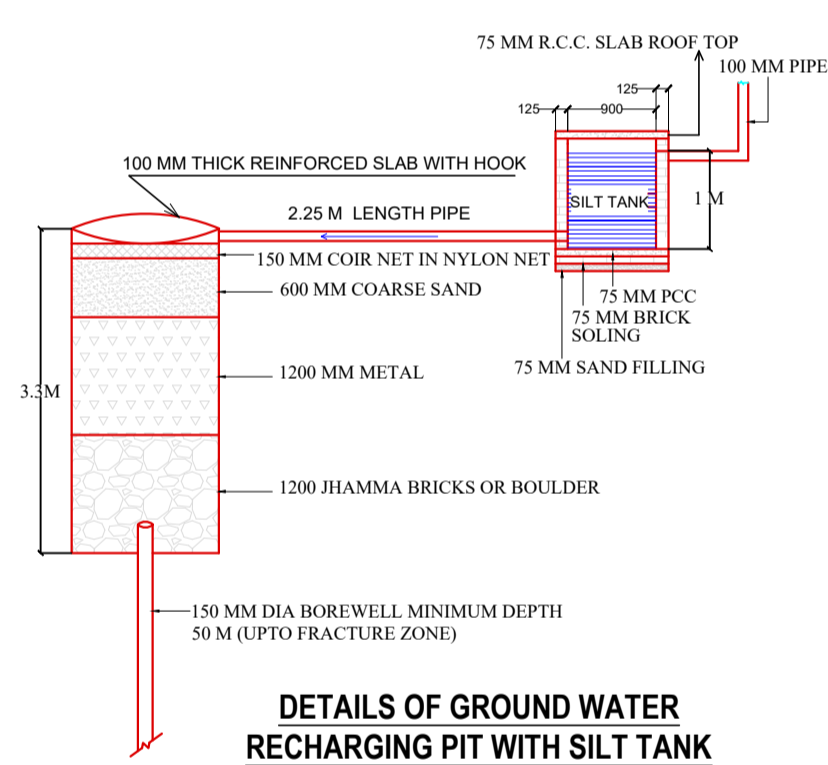
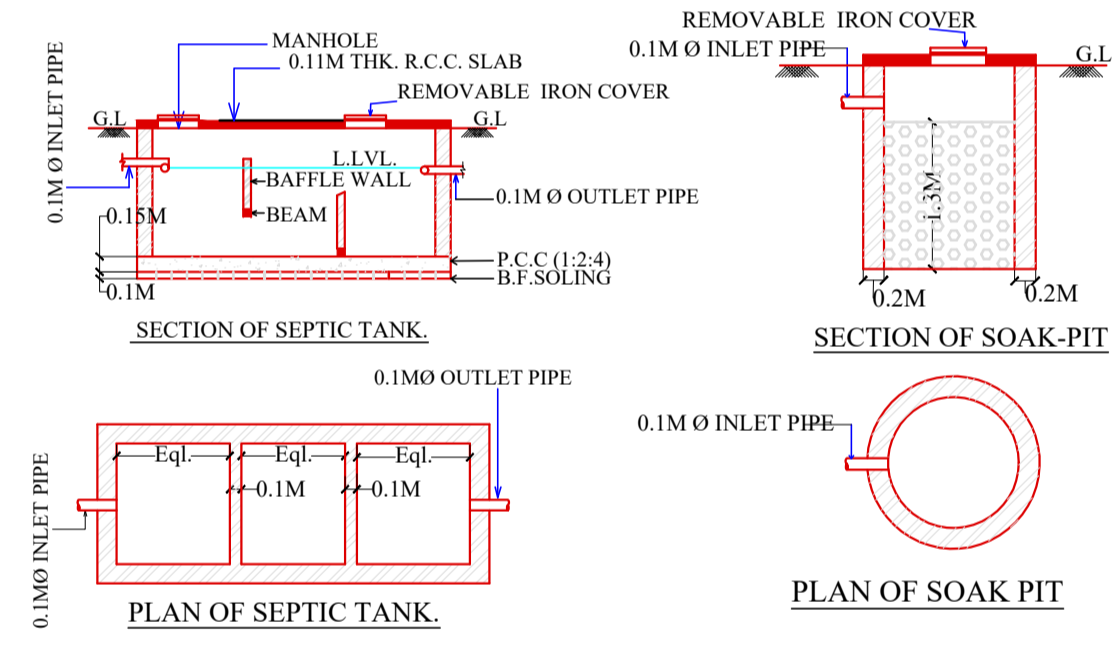
Floor Name	Building Name A (RESIDENTIAL)		Total	
	Proposed Built Up Area (Sq.mt.)	Proposed FAR Area (Sq.mt.)	Total Proposed Built Up Area (Sq.mt.)	Total FAR Area (Sq.mt.)
Ground Floor	88.62	55.73	88.62	55.73
First Floor	107.34	107.34	107.34	107.34
Terrace Floor	0.00	0.00	0.00	0.00
Total :	195.96	163.07	195.96	163.07

Building USE/SUBUSE Details

Building Name	Building Use	Building SubUse	Building Structure
A (RESIDENTIAL)	Residential	Bungalow/ Dwelling / Non Apartment	Non-Highrise

FAR & Tenement Details (Table 4c-1)

Building	No. of Same Bldg	Total Built Up Area (Sq.mt.)	Deductions (Area in Sq.mt.)		Proposed FAR Area (Sq.mt.)	Total FAR Area (Sq.mt.)	Total Consumed Additional FAR Area (Sq.mt.)	Tnmt (No.)
			Parking	Resi.				
A (RESIDENTIAL)	1	195.96	32.89	163.07	163.07	163.07	01	
Grand Total :	1	195.96	32.89	163.07	163.07	163.07	01	



LTP NAME AND SIGNATURE	STRUCTURAL ENG'S NAME AND SIGNATURE	BUILDER NAME AND SIGNATURE	DIGITAL SIGNATURE
DURGA PRASAD DUBEY SNPC/ENG/0004/2017			