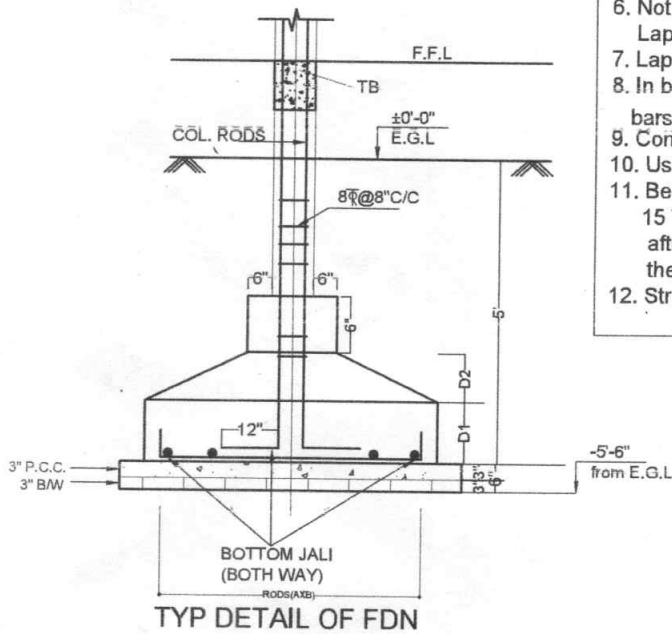


PLAN OF TYP. ISOLATED FOOTING



1. Read This Drawing along with Architectural Drawings
2. Follow Written Dimension and ask for Detail if not founded
3. grade of Concrete in M20 (1:1.5:3)
4. Reinforcement shall be HYSD of 500N/mm²
5. Cover to main Reinforcement rods
 - a) For Foundation=50mm
 - b) For column =40mm
 - c) For Beam =25mm
 - d) For Slab =15mm
6. Not more than 50% Bars shall be Lapped at any section. i.e Lapping Shall be staggered
7. Lap length shall be 60 time of smaller bars
8. In beam & slab top bars shall be lapped at centre and bottom bars shall be lapped ¼ of span or at support.
9. Concrete shall be machine mixed & vibrated.
10. Use 10% extra cement in concrete for casting underwater table
11. Bearing capacity of soil at founding level is assumed as 15 T/m² (at -5'-6" below E.G.L). Construction should be done after soil testing it may change on actual soil bearing capacity, then size of foundation may change.
12. Structure design for (G+2) Only.

SCHEDULE OF FOUNDATIONS

FOUNDATION FOOTING				
MARK	SIZE(MM)	D1	D2	BOTTOM JALLI RODS
F1	4'-6" X 4'-6"	8"	6"	10 DIA BAR @ 6" C/C BOTH WAYS.
F2	5'-0" X 5'-0"	8"	8"	10 DIA BAR @ 6" C/C BOTH WAYS.
F3	5'-6" X 5'-6"	8"	8"	10 DIA BAR @ 4" C/C BOTH WAYS.