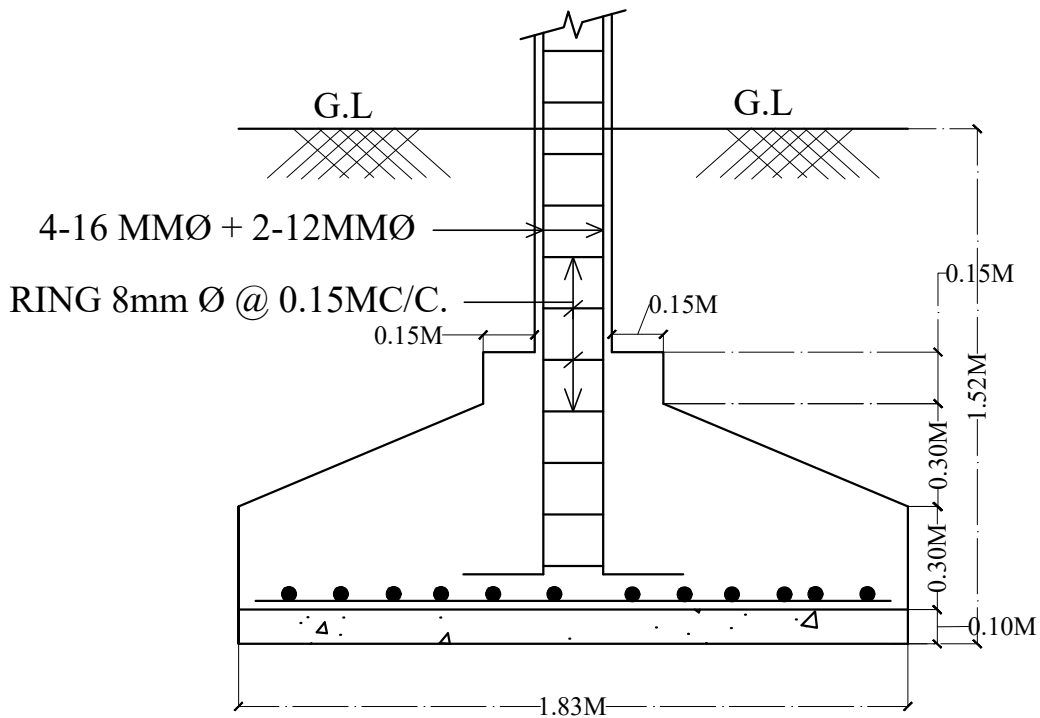
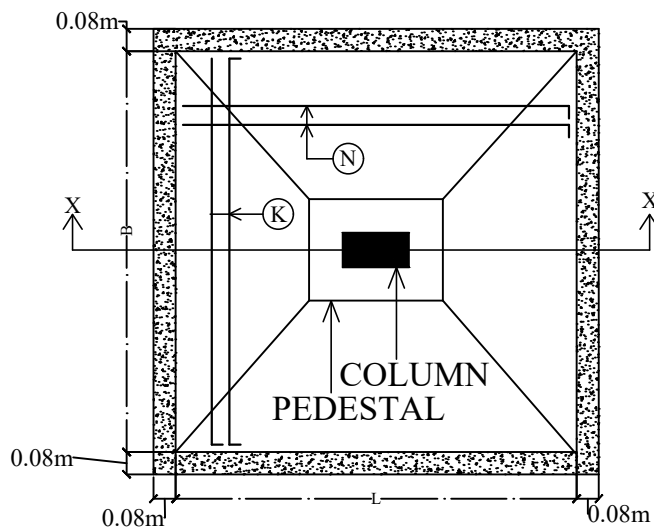


SECTION OF COLUMN.



SECTION OF FOOTING



PLAN OF ISOLATED FOOTING