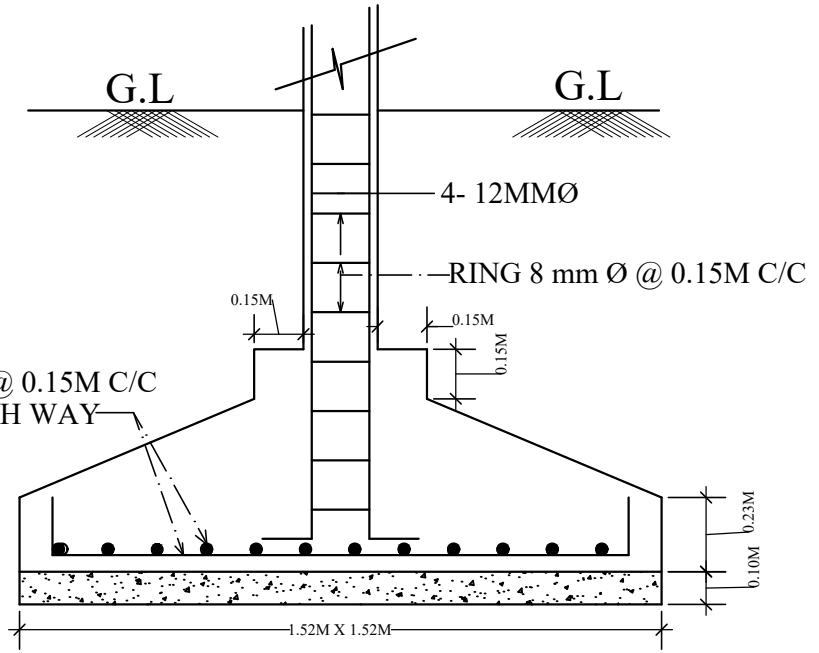
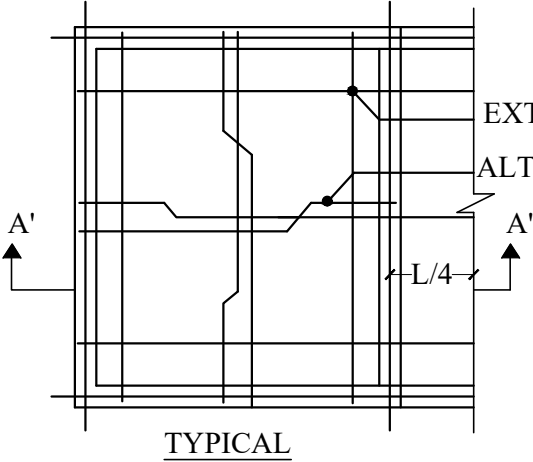


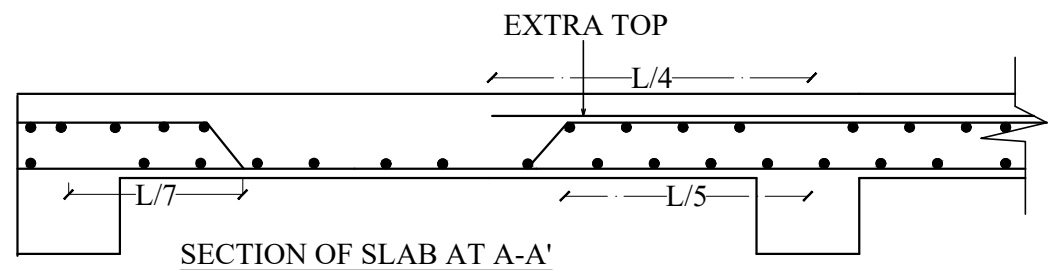
PLAN OF ISOLATED FOOTING



SECTION OF FOOTING .



TYPICAL



SECTION OF SLAB AT A-A'