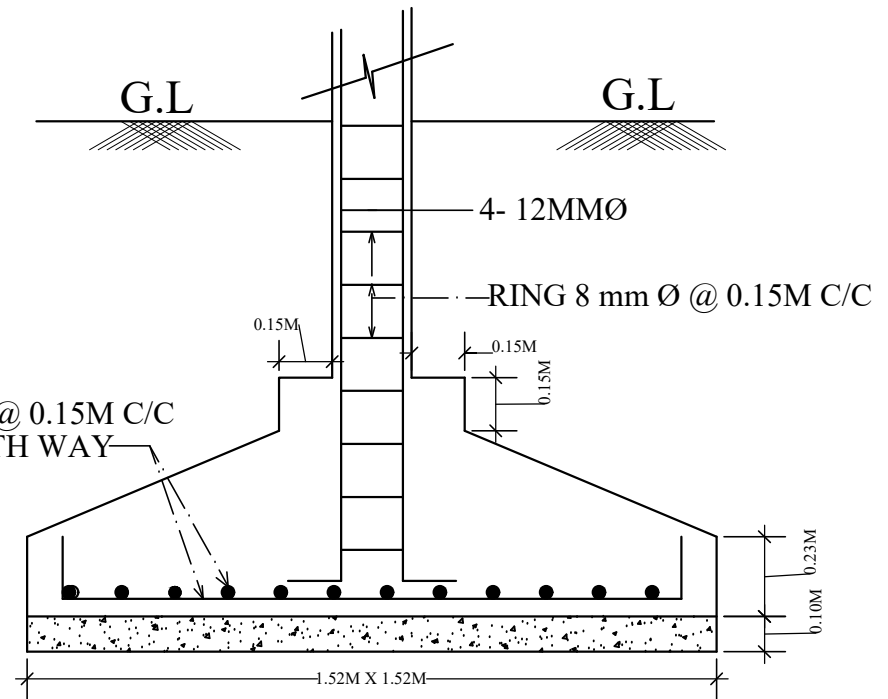
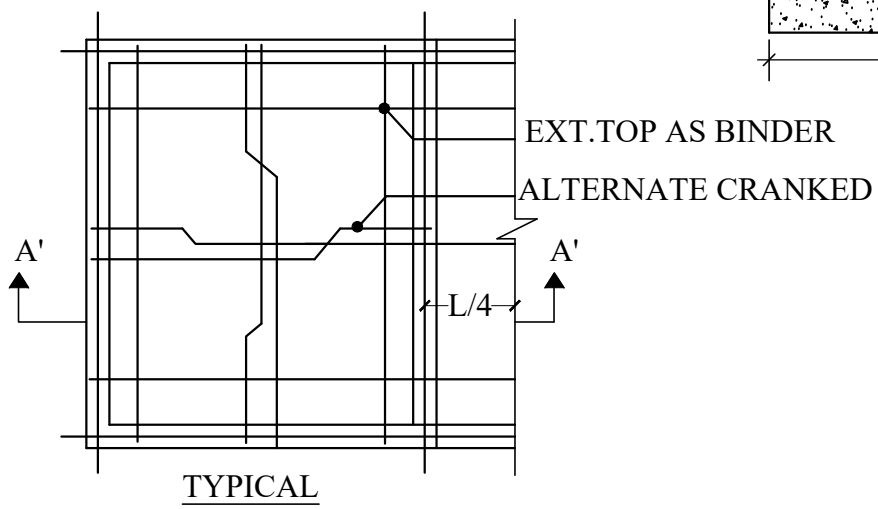


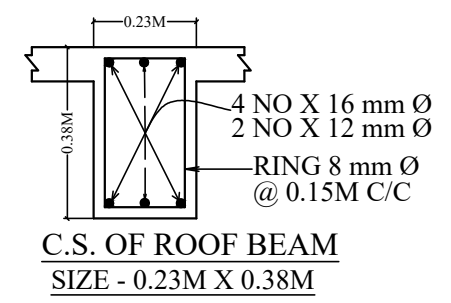
PLAN OF ISOLATED FOOTING



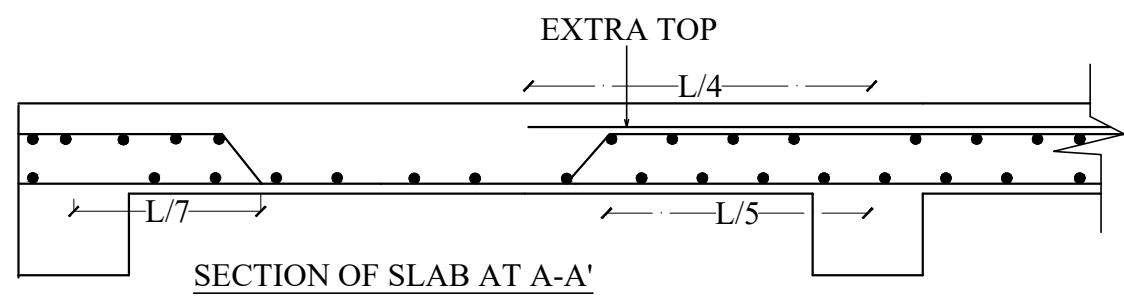
SECTION OF FOOTING .



TYPICAL



C.S. OF ROOF BEAM
SIZE - 0.23M X 0.38M



SECTION OF SLAB AT A-A'