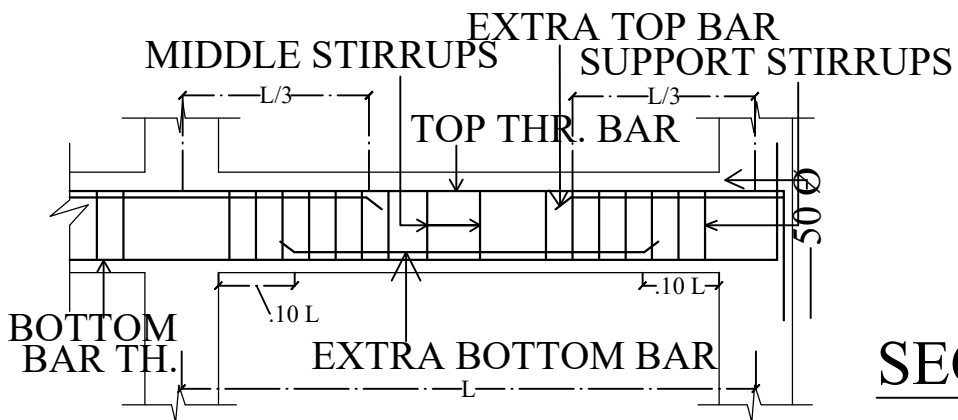
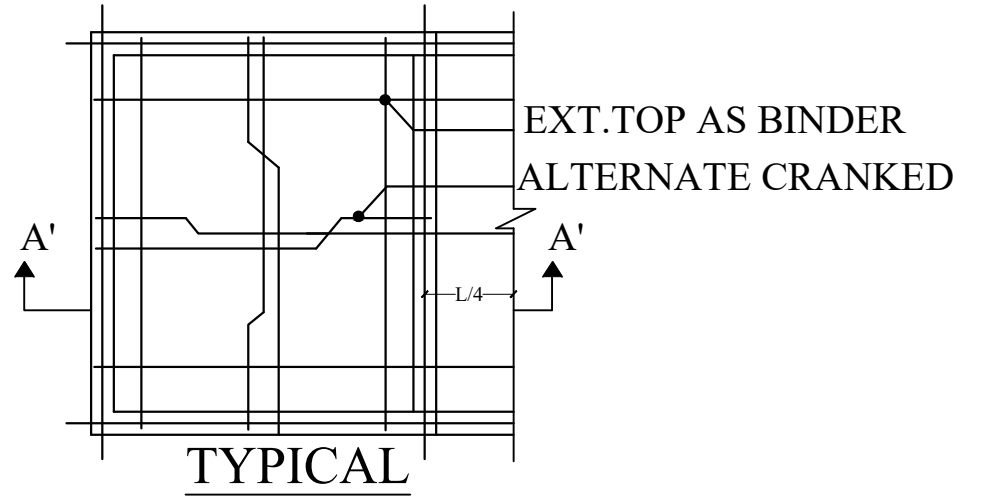
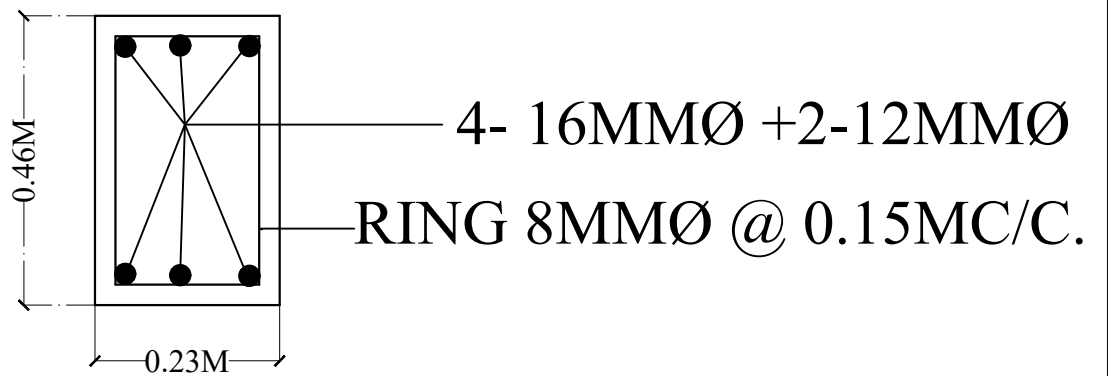


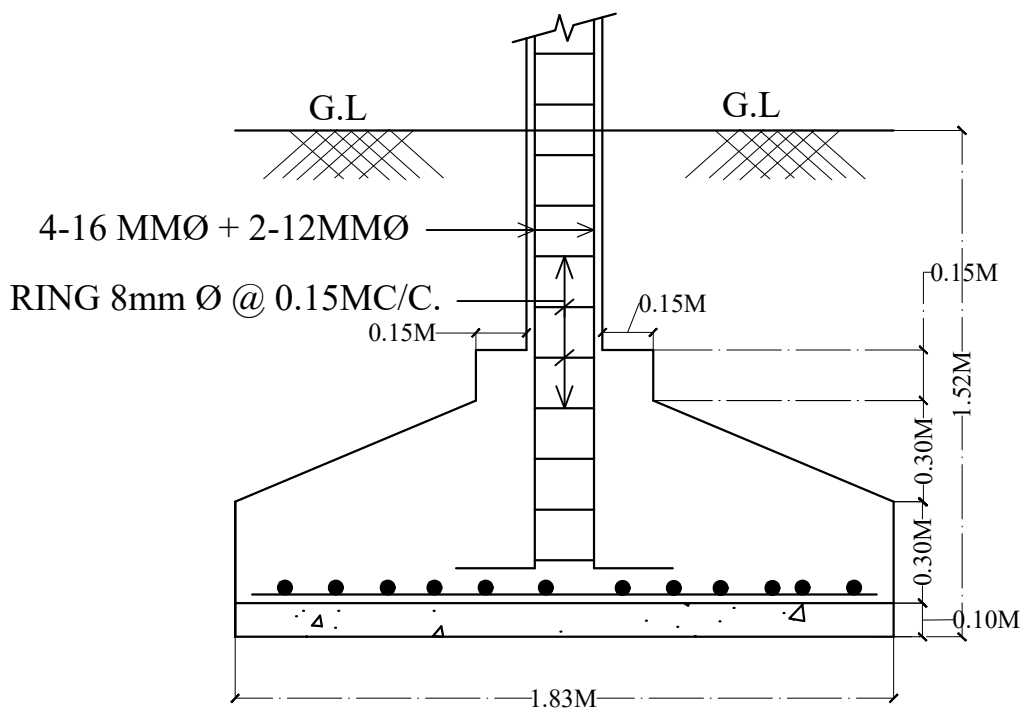
PLAN OF ISOLATED FOOTING



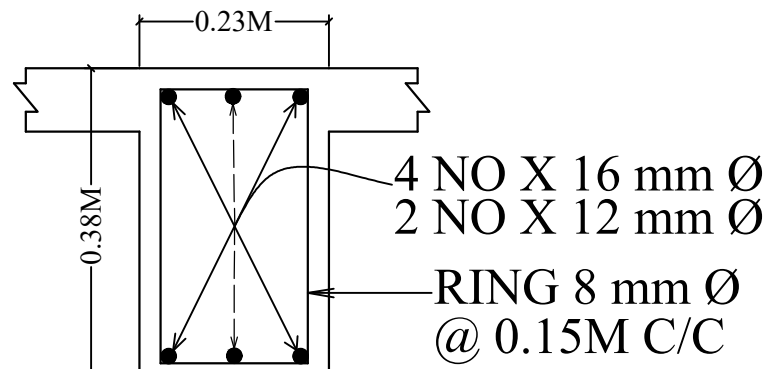
SECTION OF TYPICAL FLOOR BEAM



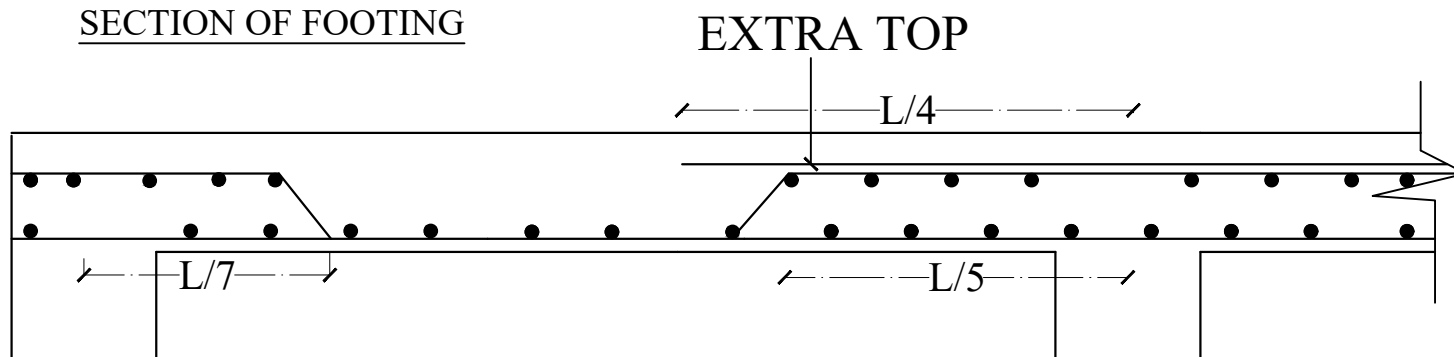
SECTION OF COLUMN.



SECTION OF FOOTING



**C.S. OF ROOF BEAM
SIZE - 0.23M X 0.38M**



SECTION OF SLAB AT A-A'