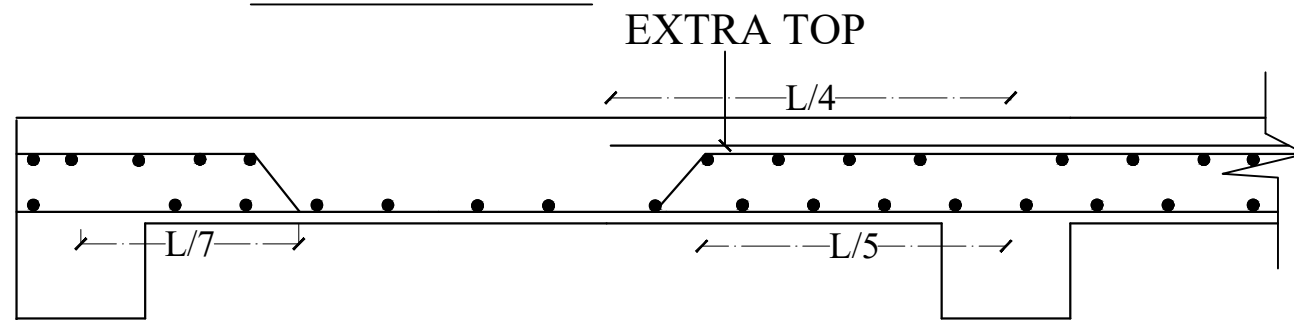
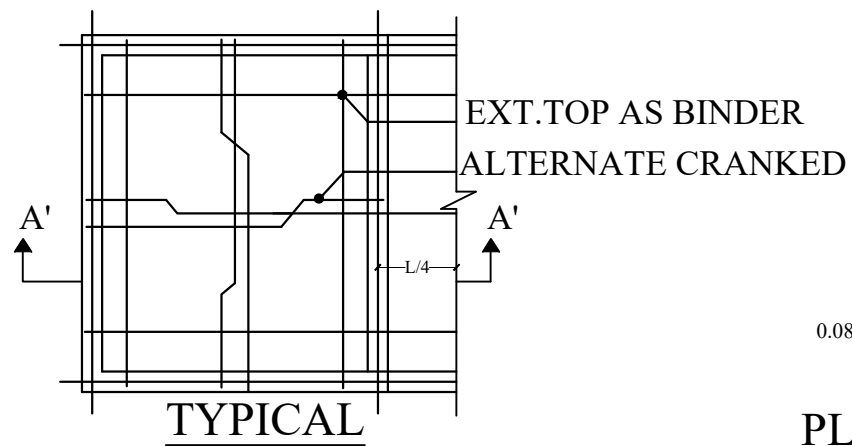


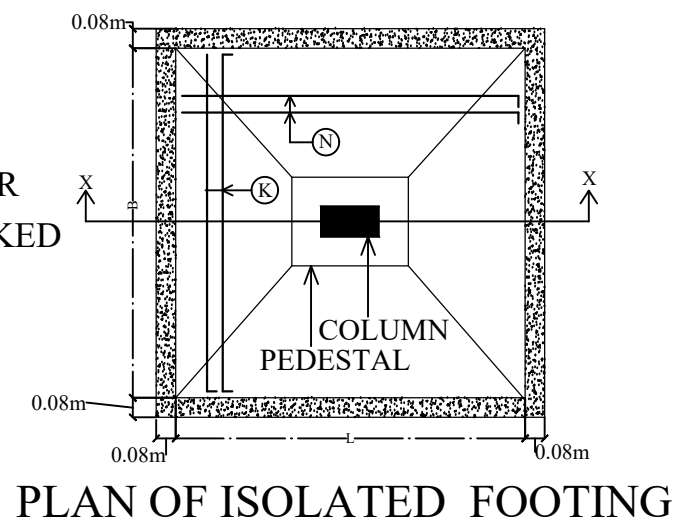
SECTION OF FOOTING



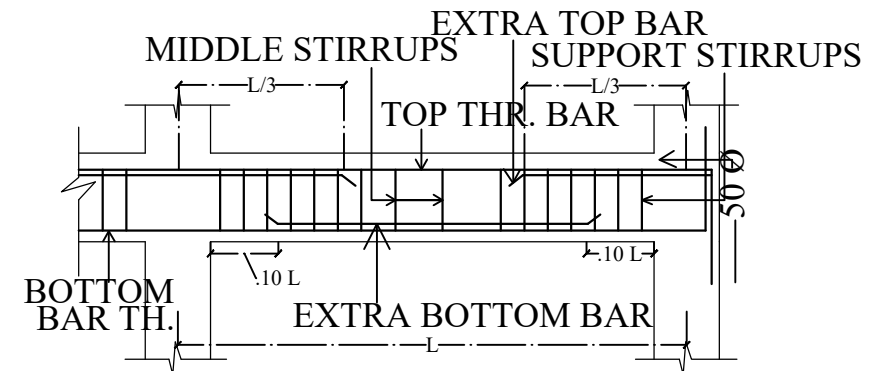
SECTION OF SLAB AT A-A'



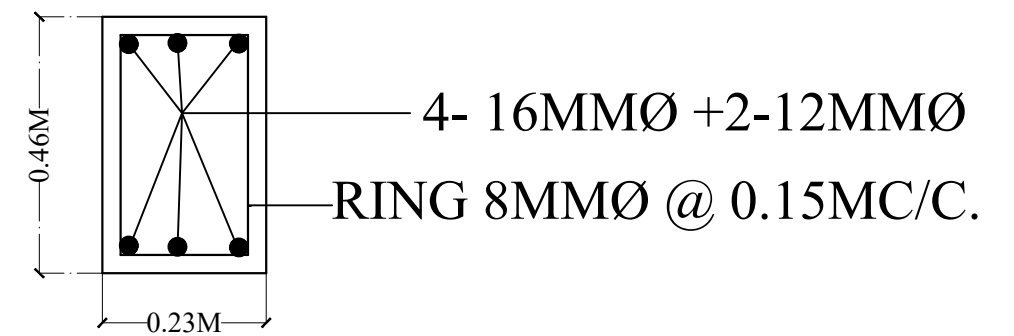
TYPICAL



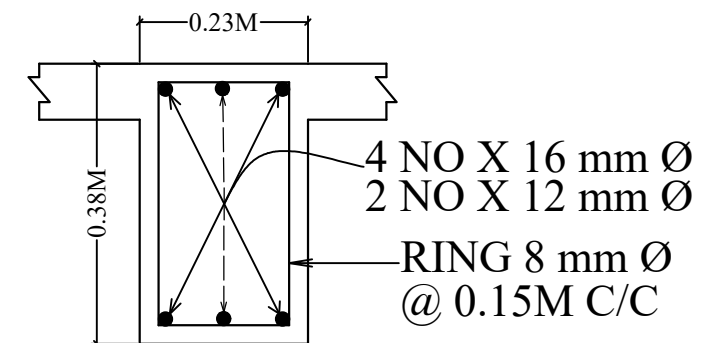
PLAN OF ISOLATED FOOTING



SECTION OF TYPICAL FLOOR BEAM



SECTION OF COLUMN.



C.S. OF ROOF BEAM  
SIZE - 0.23M X 0.38M