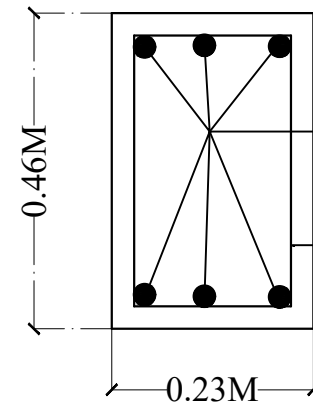
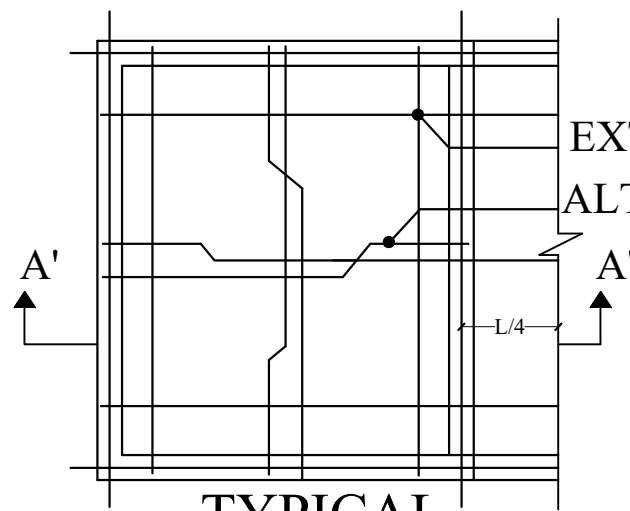


PLAN OF ISOLATED FOOTING

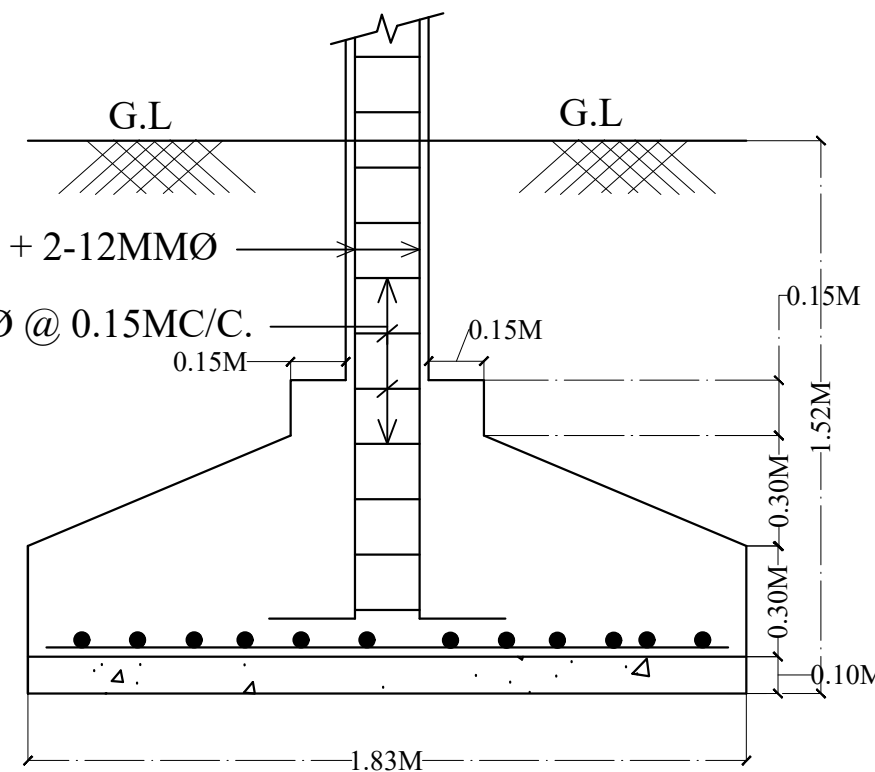


4- 16MMØ + 2-12MMØ
RING 8MMØ @ 0.15MC/C.

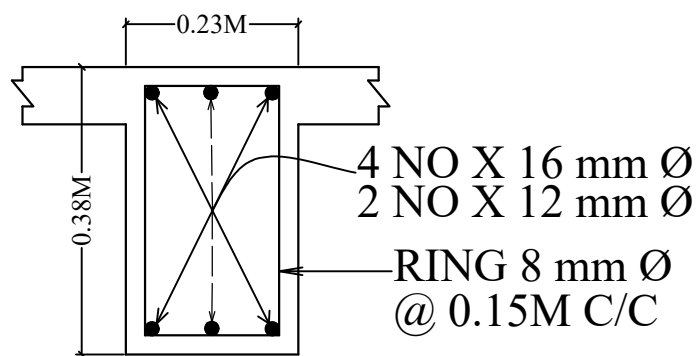
SECTION OF COLUMN.



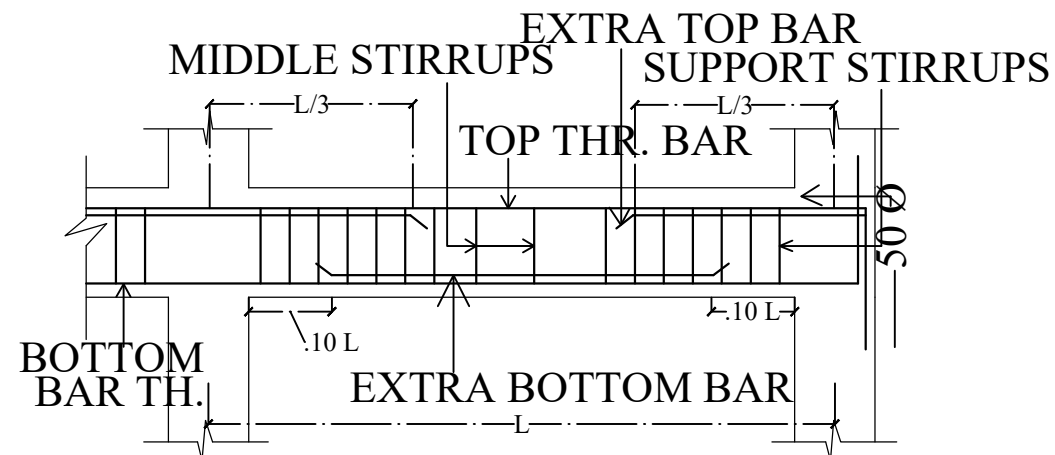
TYPICAL



SECTION OF FOOTING



**C.S. OF ROOF BEAM
SIZE - 0.23M X 0.38M**



SECTION OF TYPICAL FLOOR BEAM