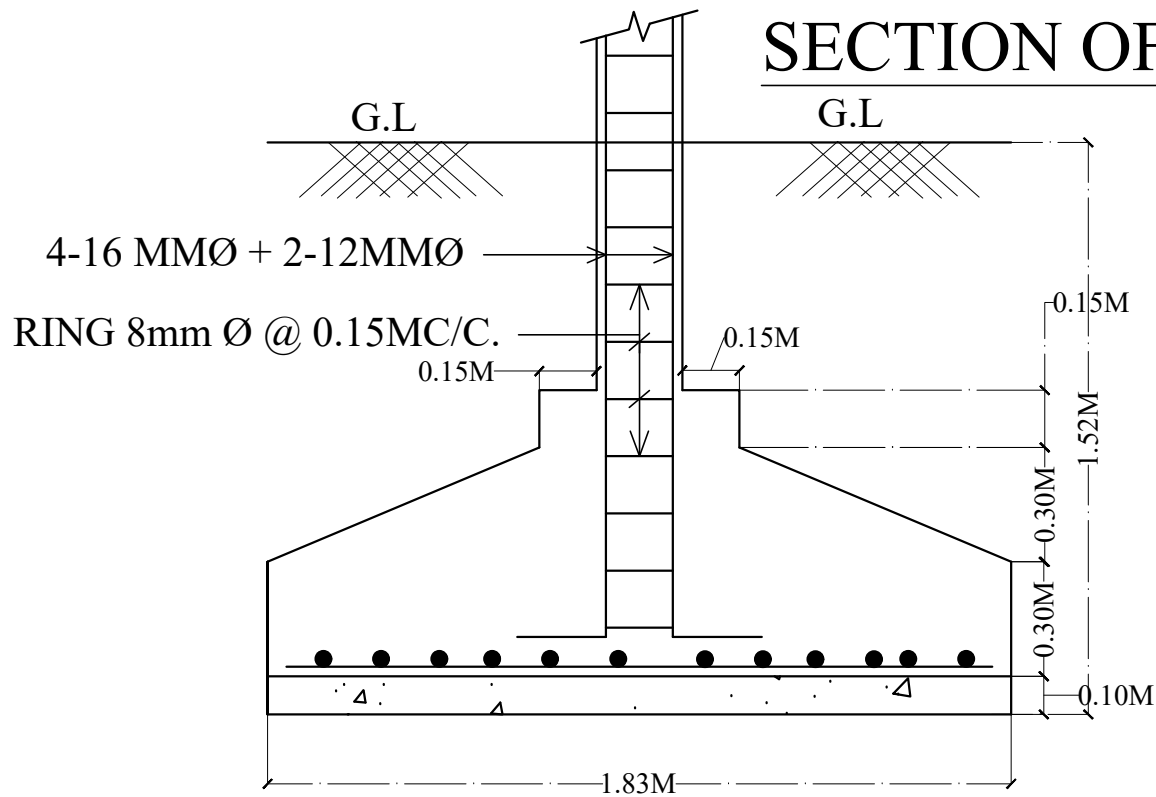
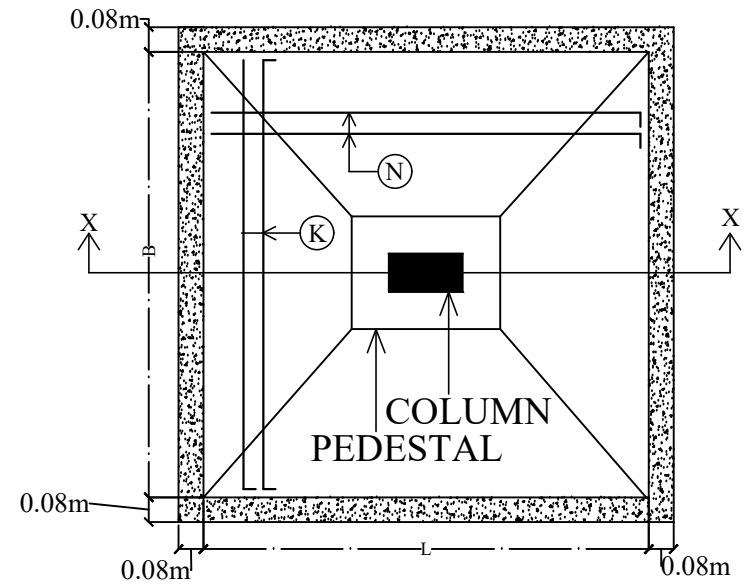


4- 16MMØ + 2-12MMØ  
RING 8MMØ @ 0.15MC/C.

SECTION OF COLUMN.



SECTION OF FOOTING



PLAN OF ISOLATED FOOTING