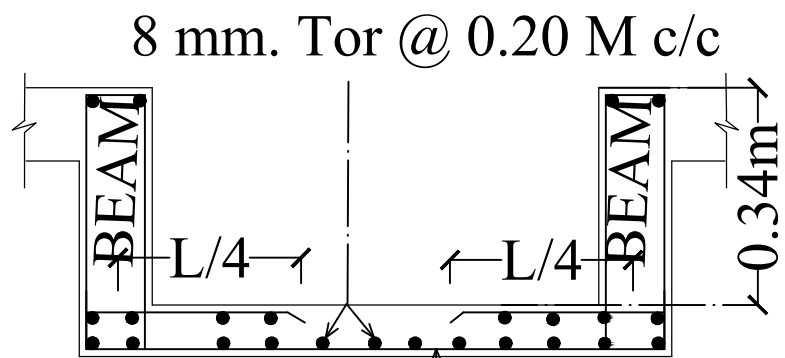
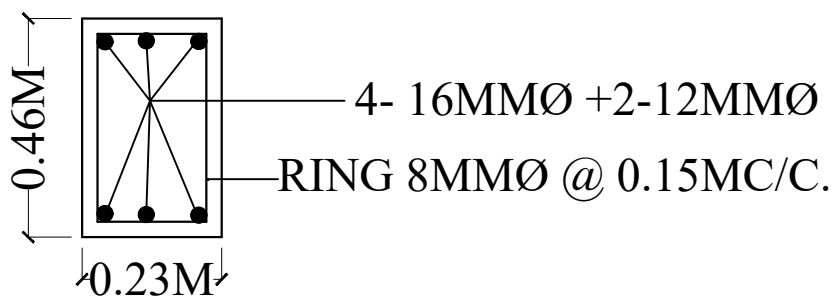
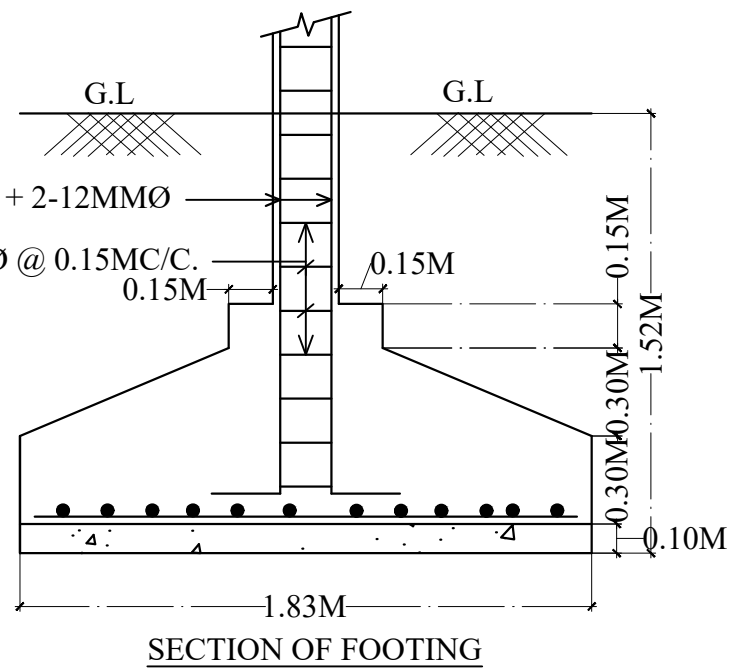
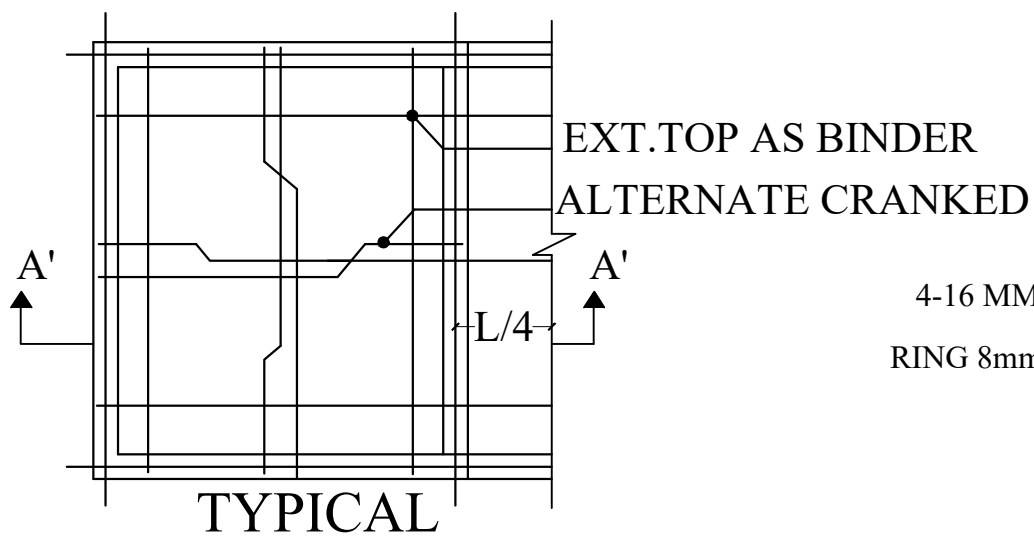


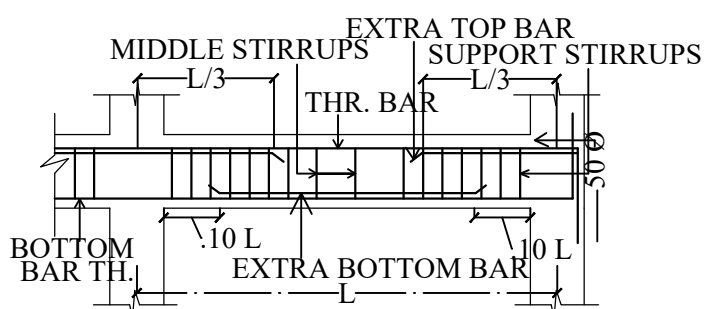
C.S. OF ROOF BEAM
SIZE - 0.23M X 0.38M



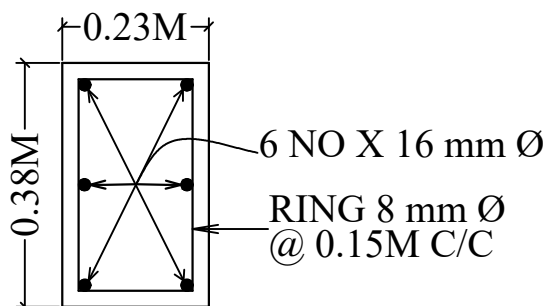
8 mm. Tor @ 0.20 M c/c
THICKNESS OF SLAB = 0.11m



SECTION OF COLUMN.



SECTION OF TYPICAL ROOF BEAM



C.S. OF COLUMN .
SIZE - 0.23M X 0.38M

