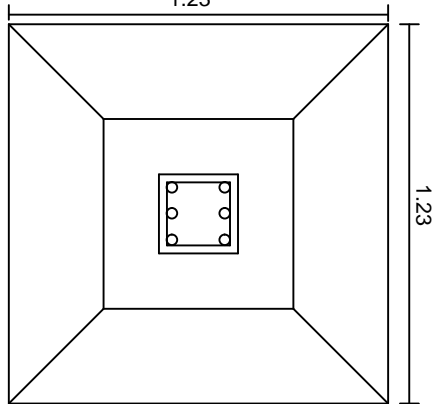
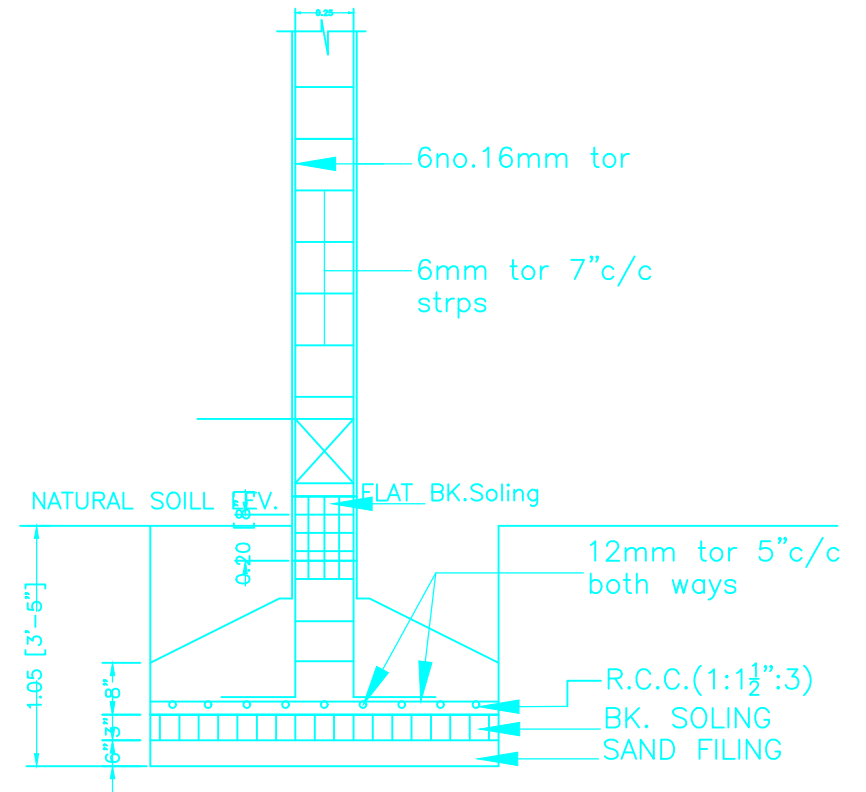


R.C.C. COLUMN

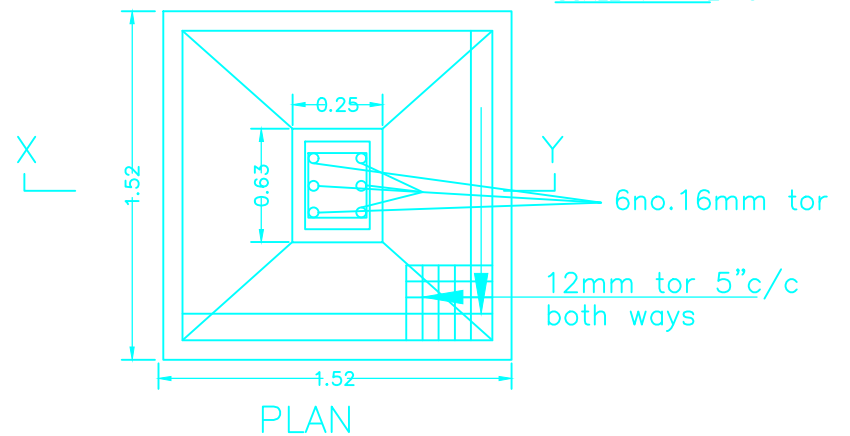
FDN. DETAIL
SCALE 1" = 4'-0"



PLAN



SEC. X-Y
R.C.C. COLUMN FDN. DETAIL
SCALE 1" = 2'-0"



PLAN

SCALE - 1" : 2'-0"