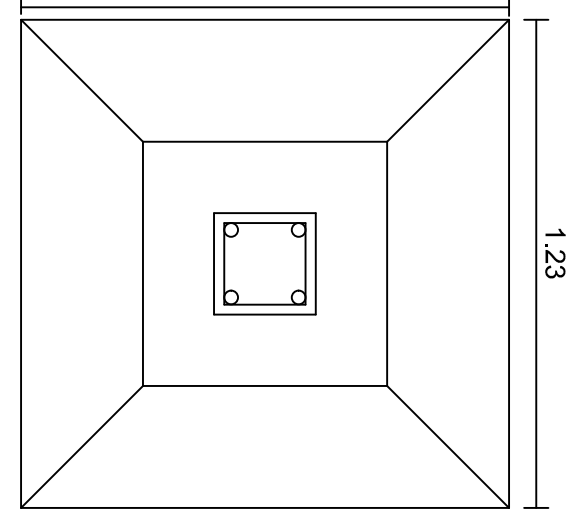
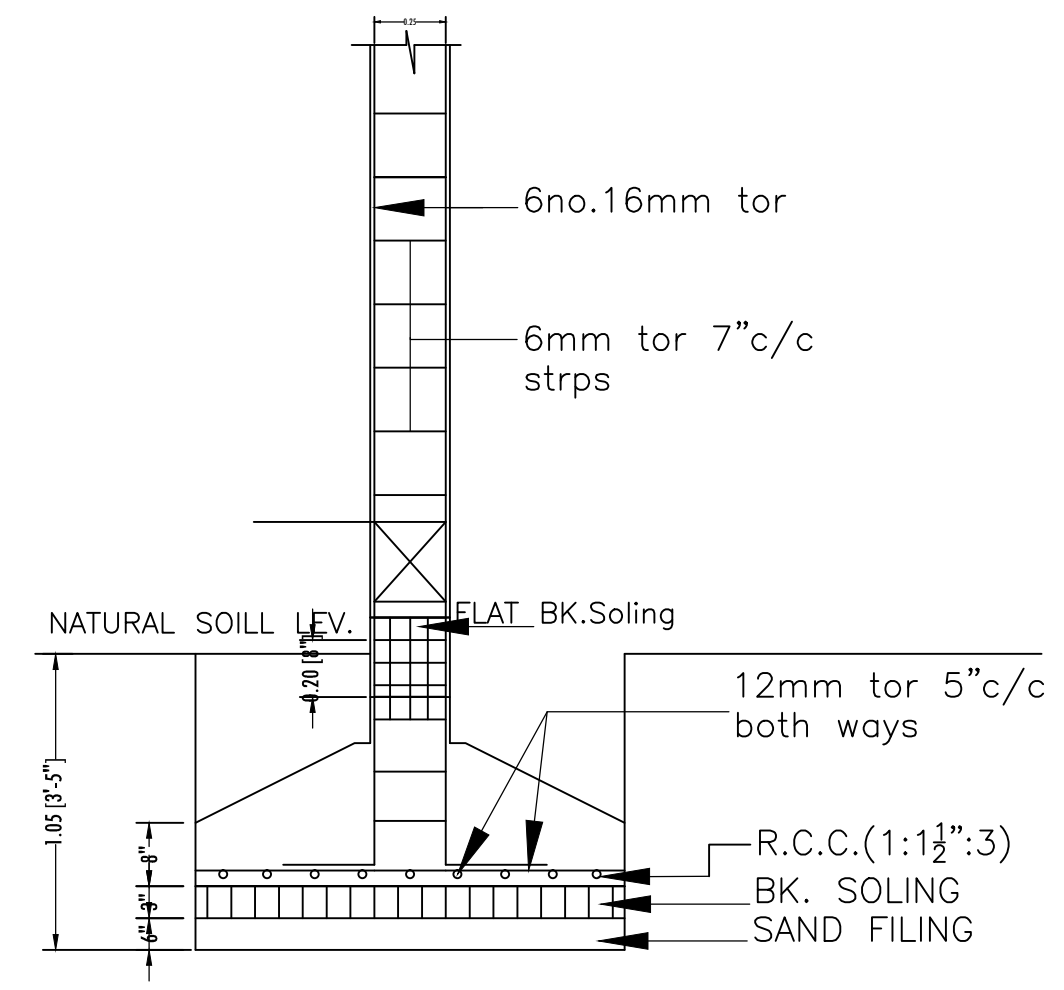


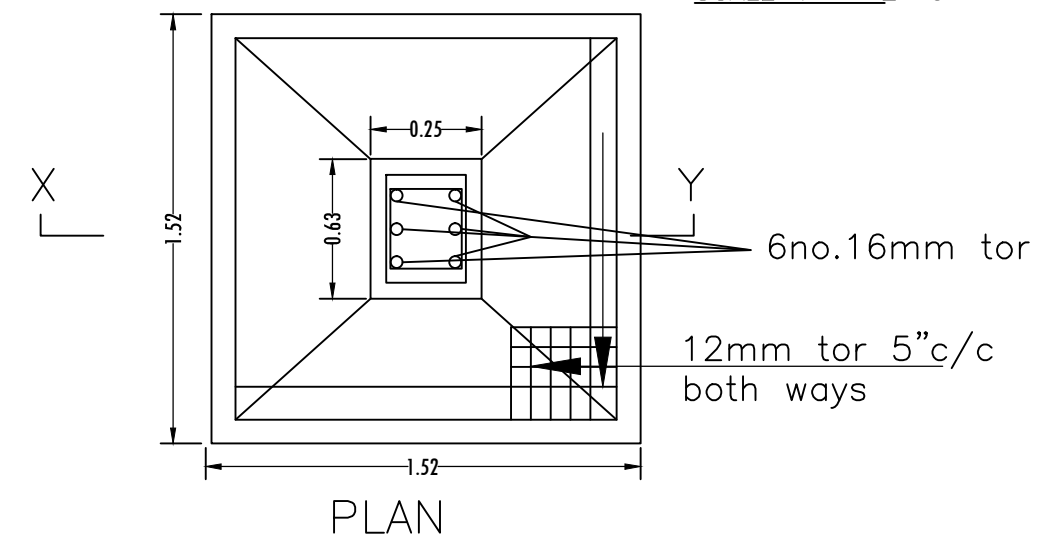
R.C.C. COLUMN FDN.DETAIL,
SCALE 1" = 4'-0"



PLAN SCALE 1" = 4'-0"



SEC. X-Y
R.C.C. COLUMN FDN.DETAIL
SCALE 1" = 2'-0"



PLAN

SCALE-1":2'-0"