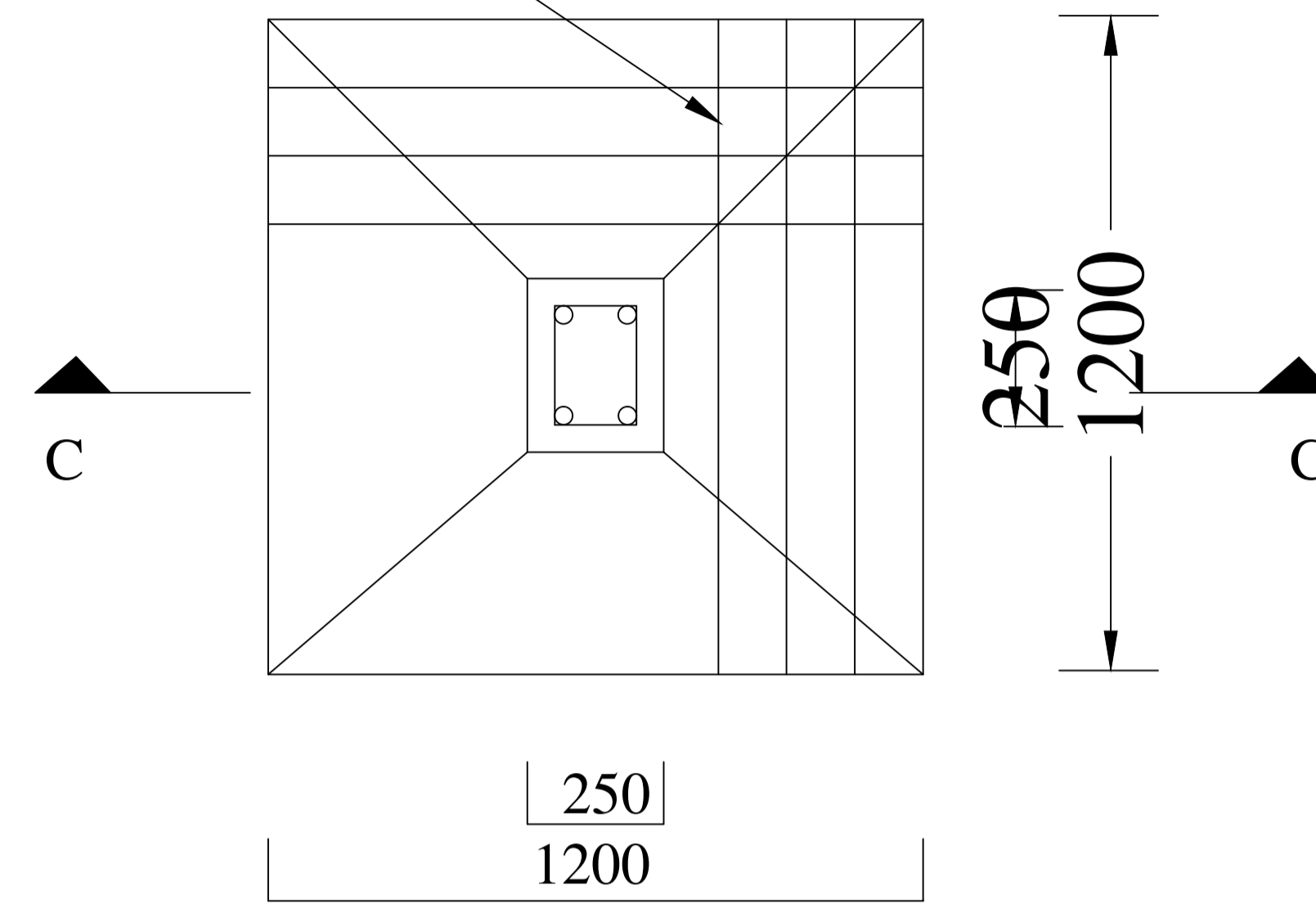
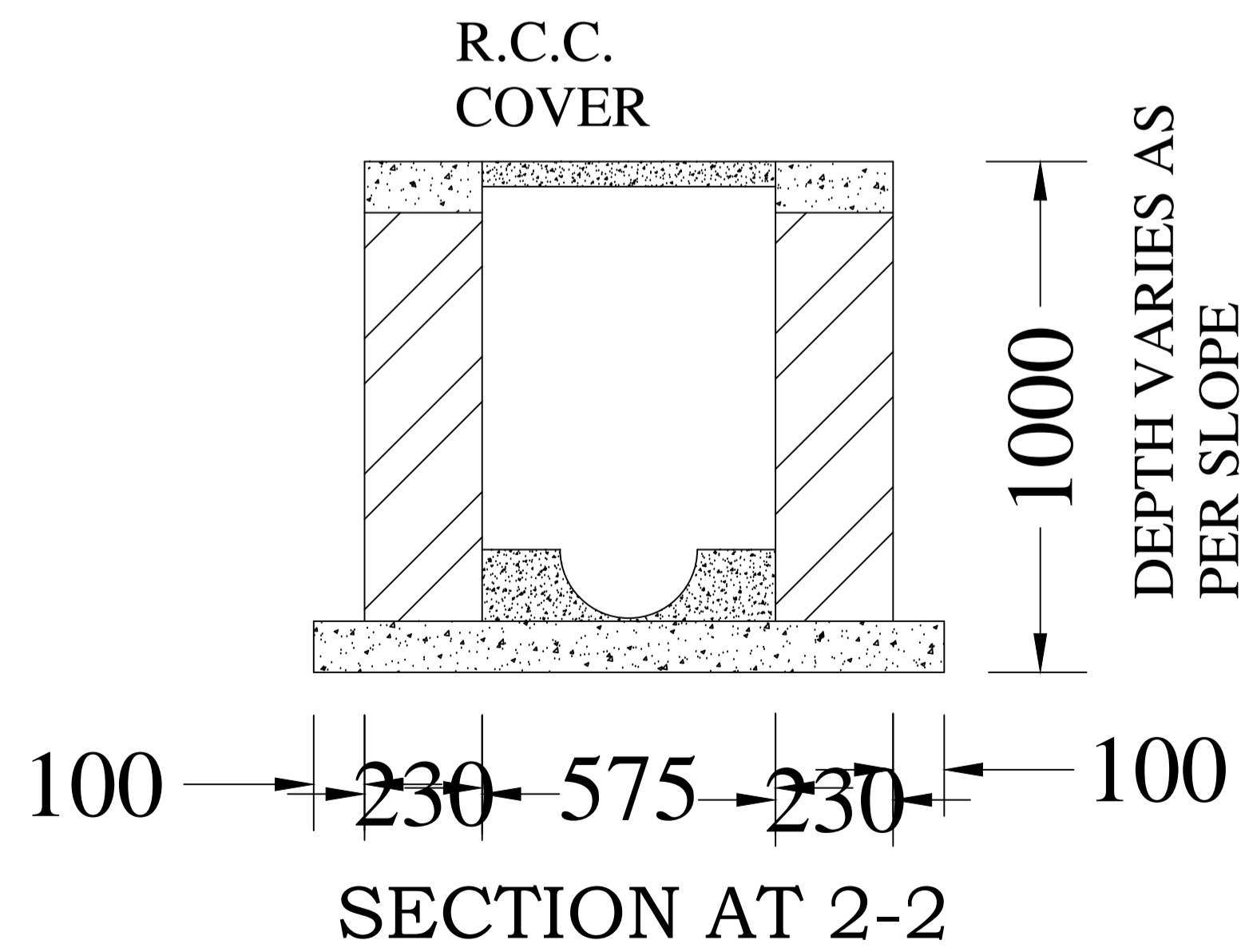


SECTION -CC

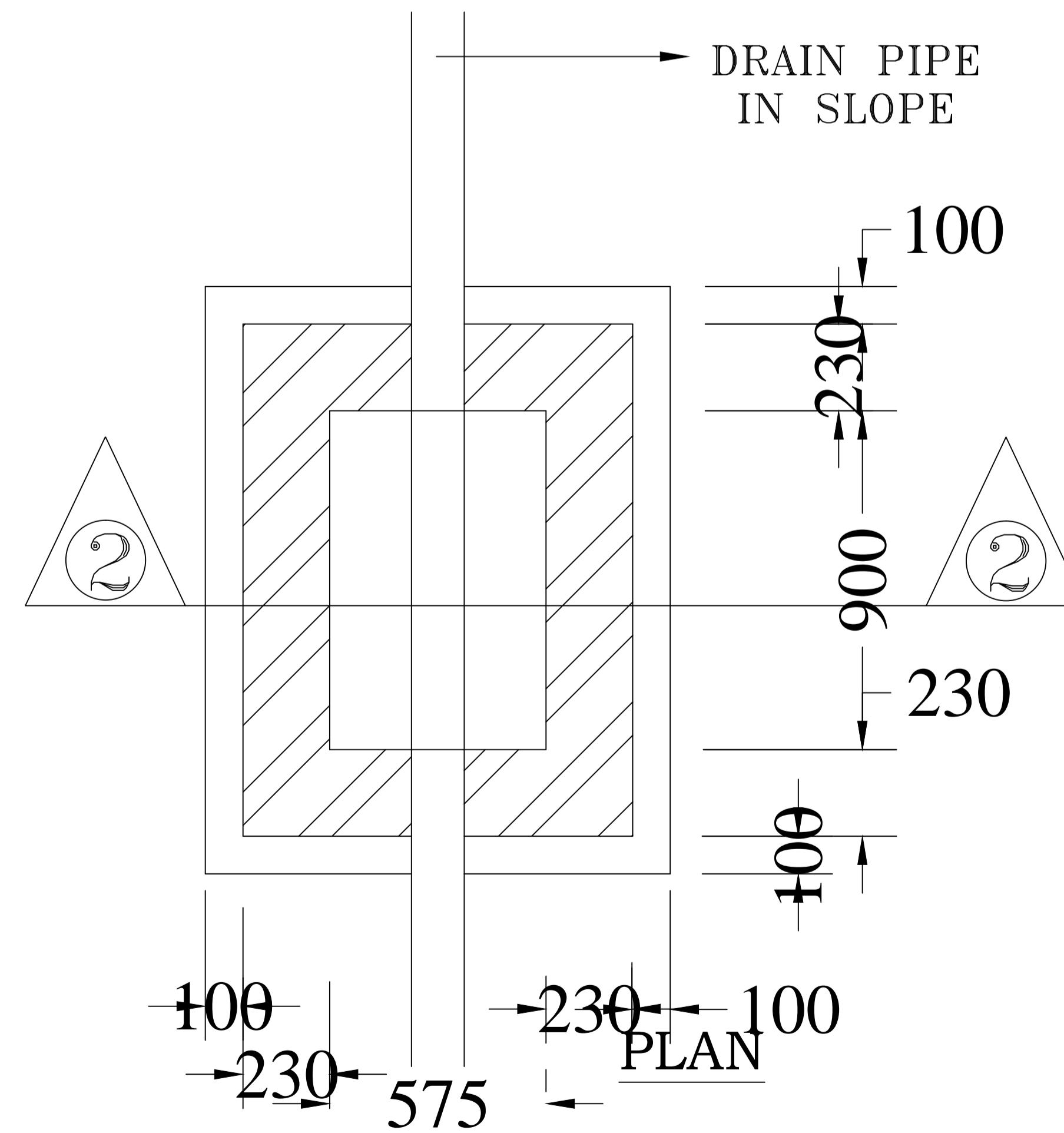
10 TOR @ 150 C/C
BOTH WAY
R.C.C. JALI



**PLAN
DETAIL OF FOUNDATION**



SECTION AT 2-2



I.C. DETAILS

STRUCTURE DETAIL