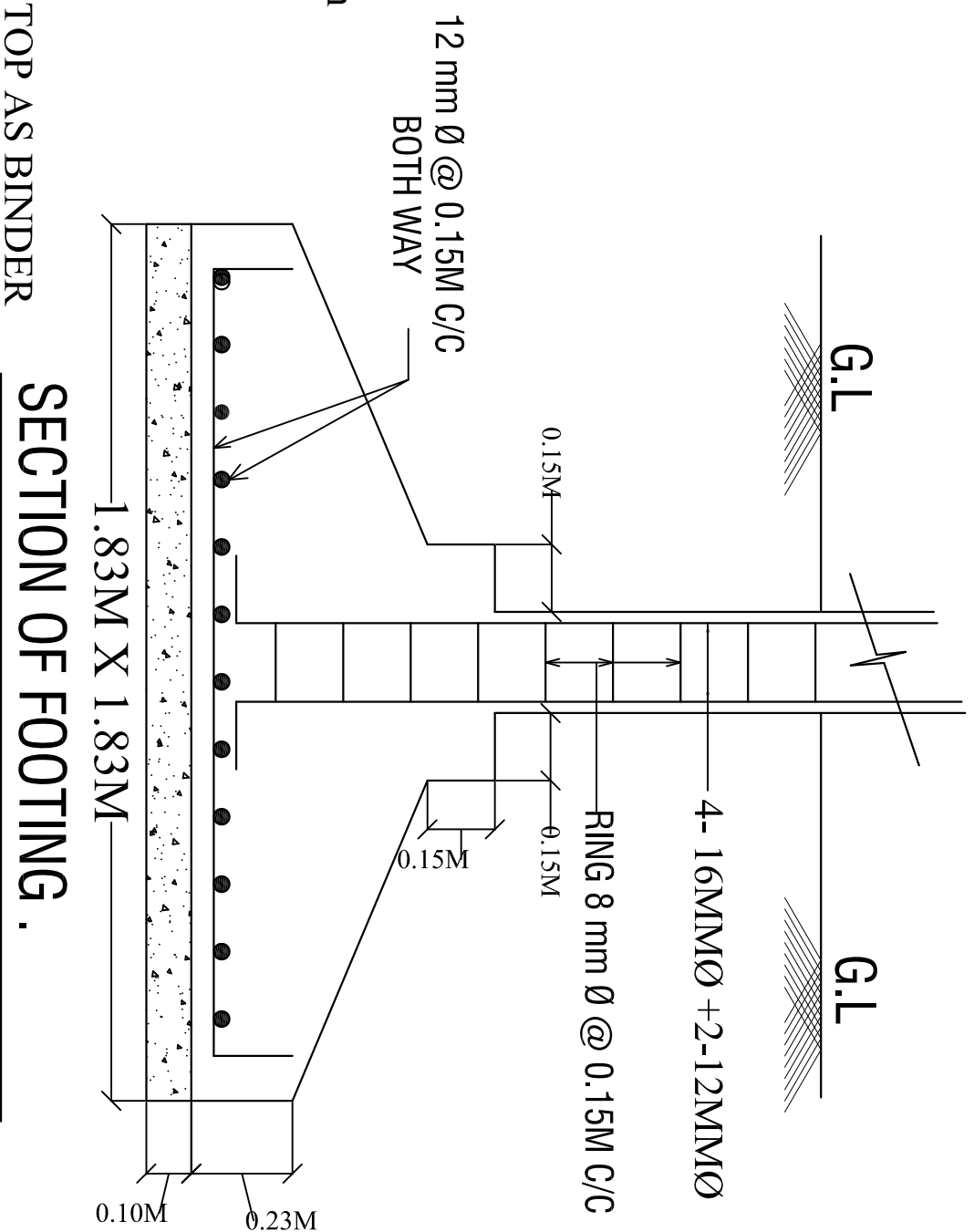
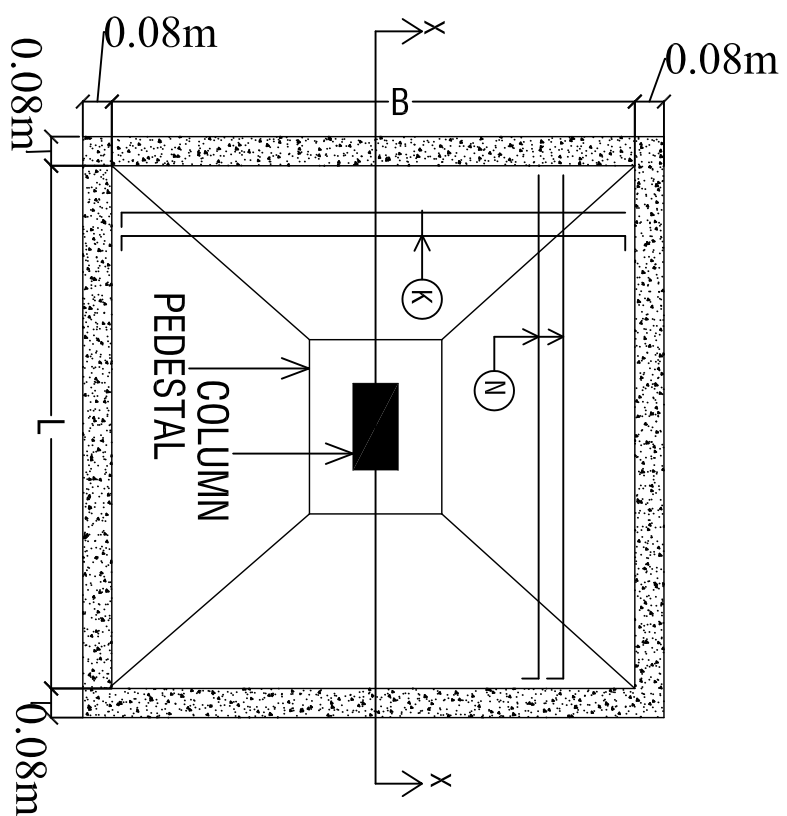
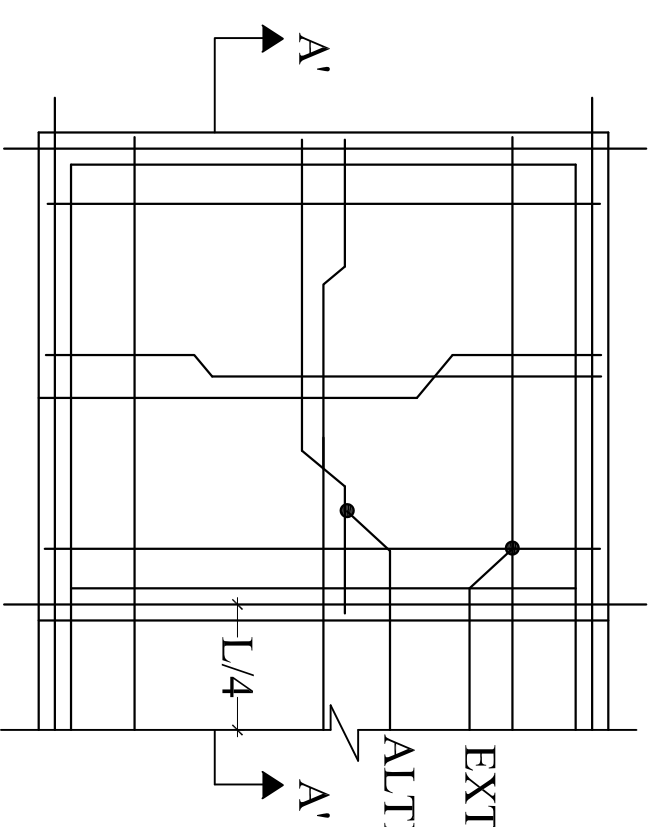


**PLAN OF ISOLATED FOOTING**

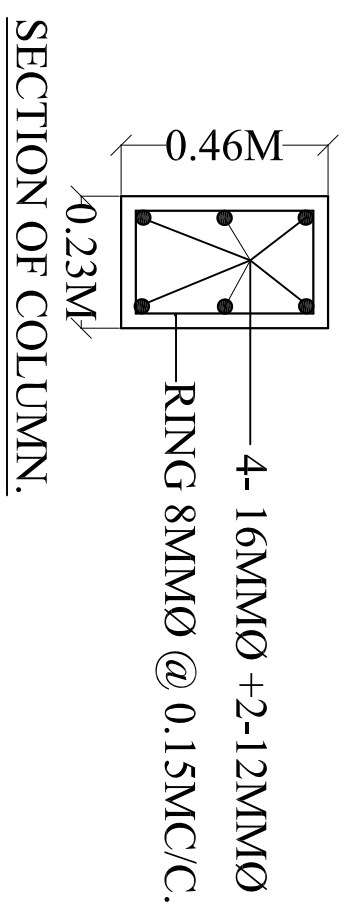


**SECTION OF FOOTING .**

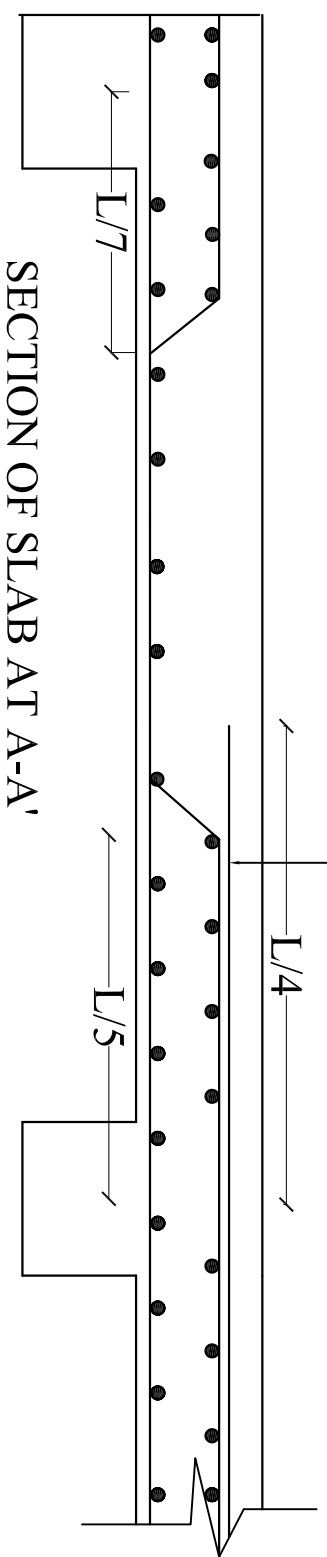


**TYPICAL REINFORCEMENT DETAIL**

EXT. TOP AS BINDER  
ALTERNATE CRANKED



EXTRA TOP



**Structure Detail**