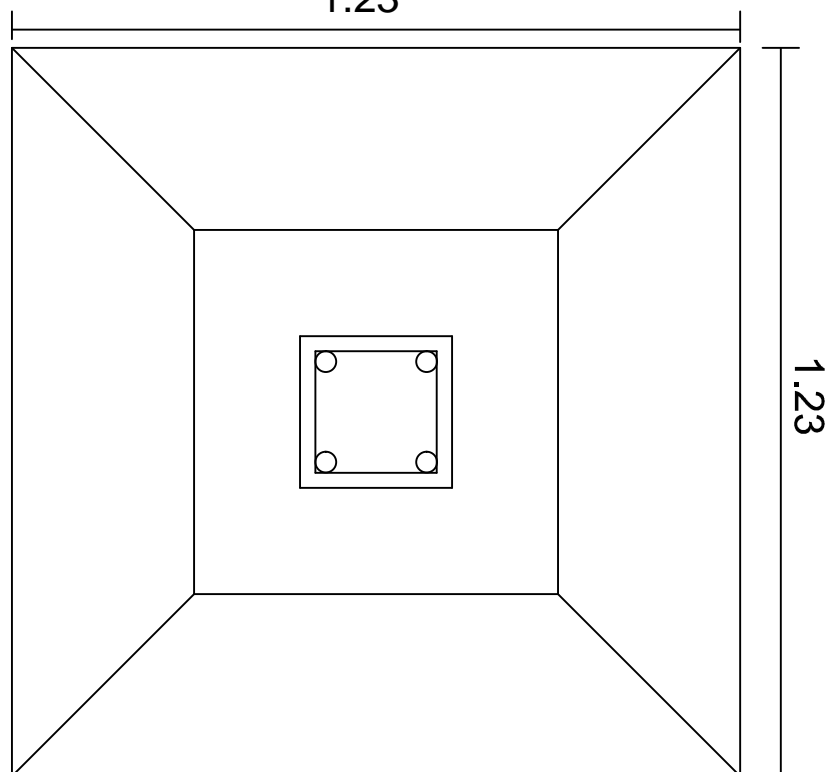


R.C.C. COLUMN

FDN. DETAIL,
SCALE 1" = 4'-0"



PLAN

SCALE 1" = 4'-0"