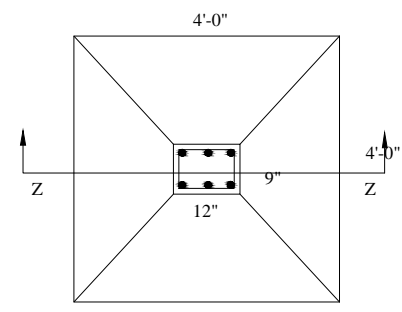
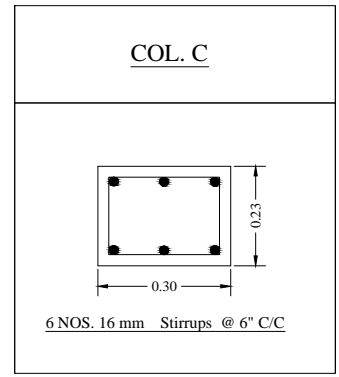


SECTION ON- ZZ



PLAN



COL. C

6 NOS. 16 mm Stirrups @ 6" C/C

*DETAILS OF COLUMN FOOTING

SCALE :- 1" = 2'-0"

SIGNATURE OF ENGINEER

ENGINEERS
&
ARCHITECTS

DESIGN PLUS

SARYU APARTMENT , FIRST FLOOR, FLAT NO.-1/C SURYA VIHAR
OPPOSITE CIMFR MAIN GATE, BARTAND, DHANBAD,
MOB.: 9431151303,7004502101.

LAYOUT PLAN FOUNDATION AND COLUMN