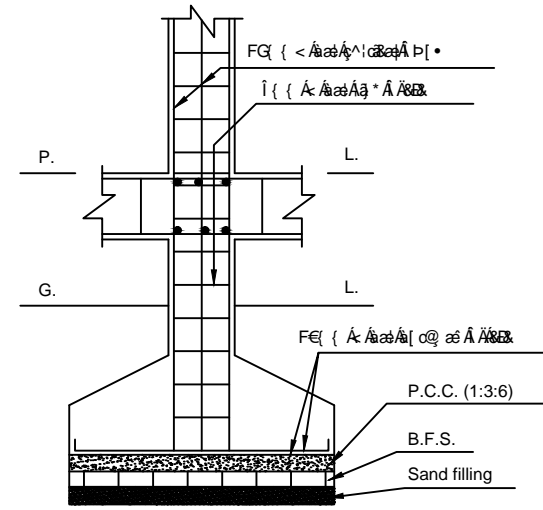
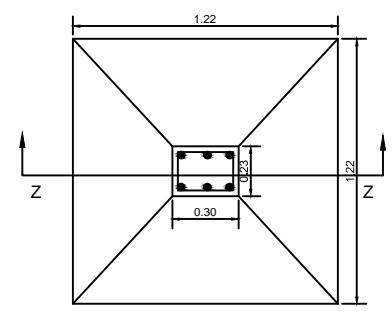


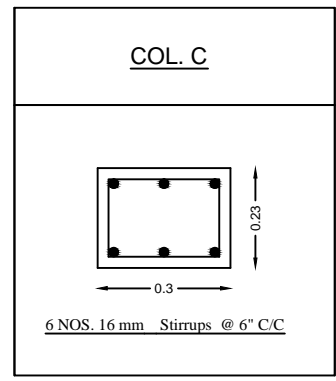
LAYOUT PLAN FOUNDATION AND COLUMN



SECTION ON- ZZ



PLAN



COL. C

***DETAILS OF COLUMN FOOTING**

SCALE :- 1" = 2'-0"

SIGNATURE OF ENGINEER

ENGINEERS & ARCHITECTS	DESIGN PLUS
---	--------------------

SARYU APARTMENT, FIRST FLOOR, FLAT NO.-1/C SURYA VIHAR
 OPPOSITE CIMFR MAIN GATE, BARTAND, DHANBAD,
 MOB.: 9431151303,7004502101.