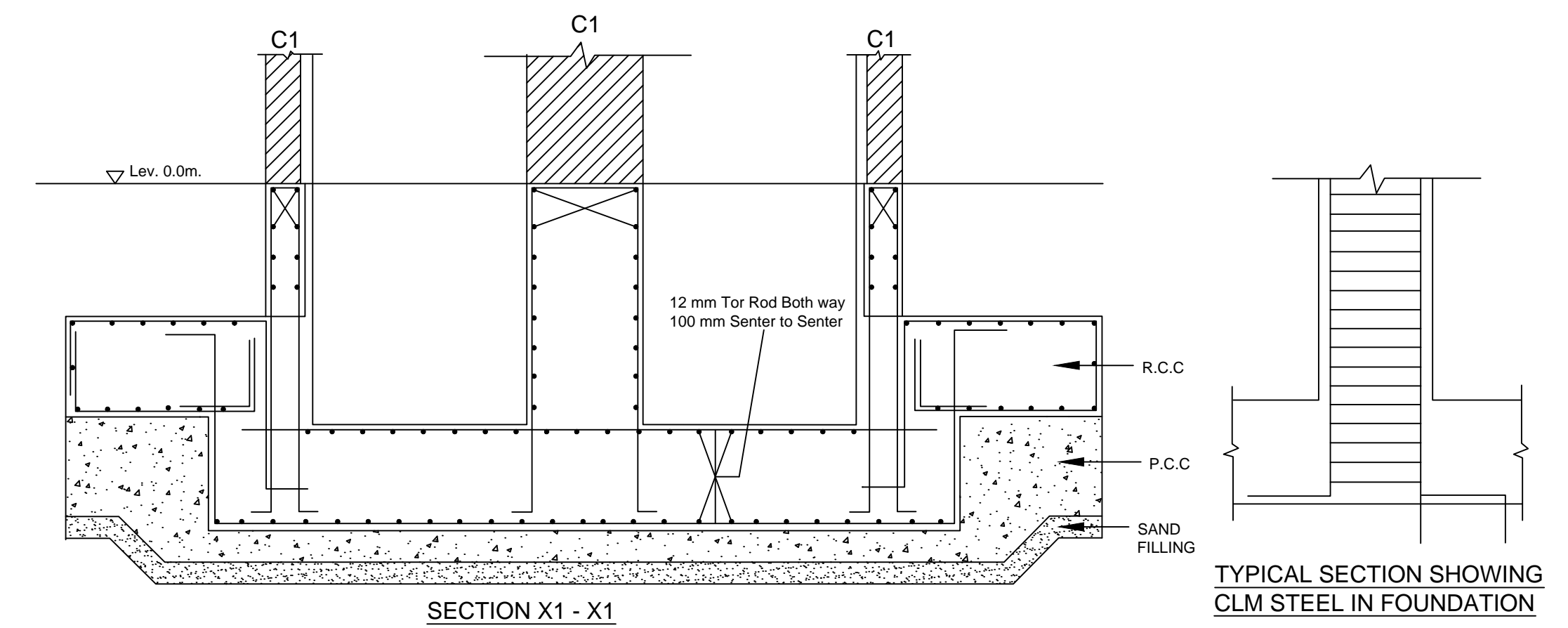
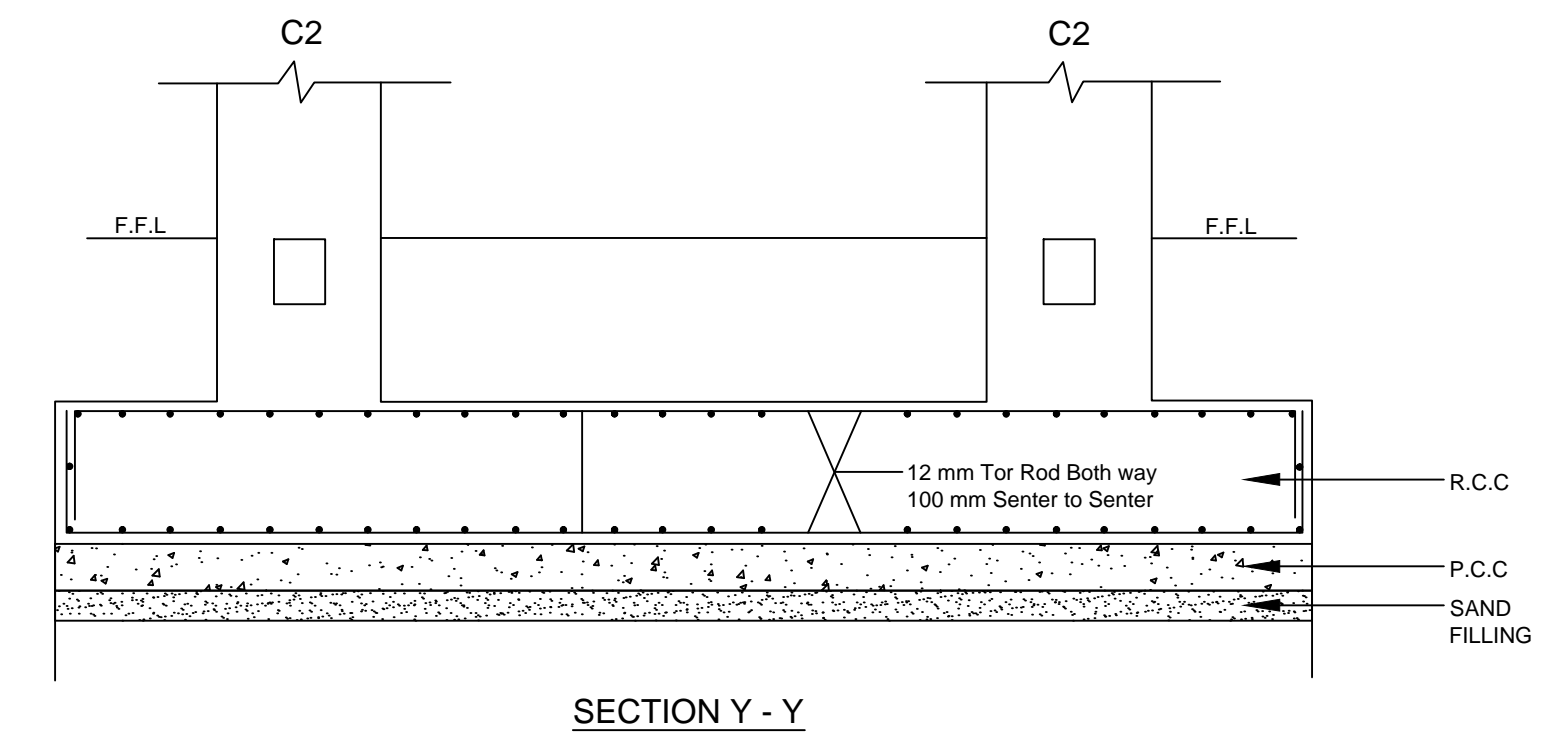
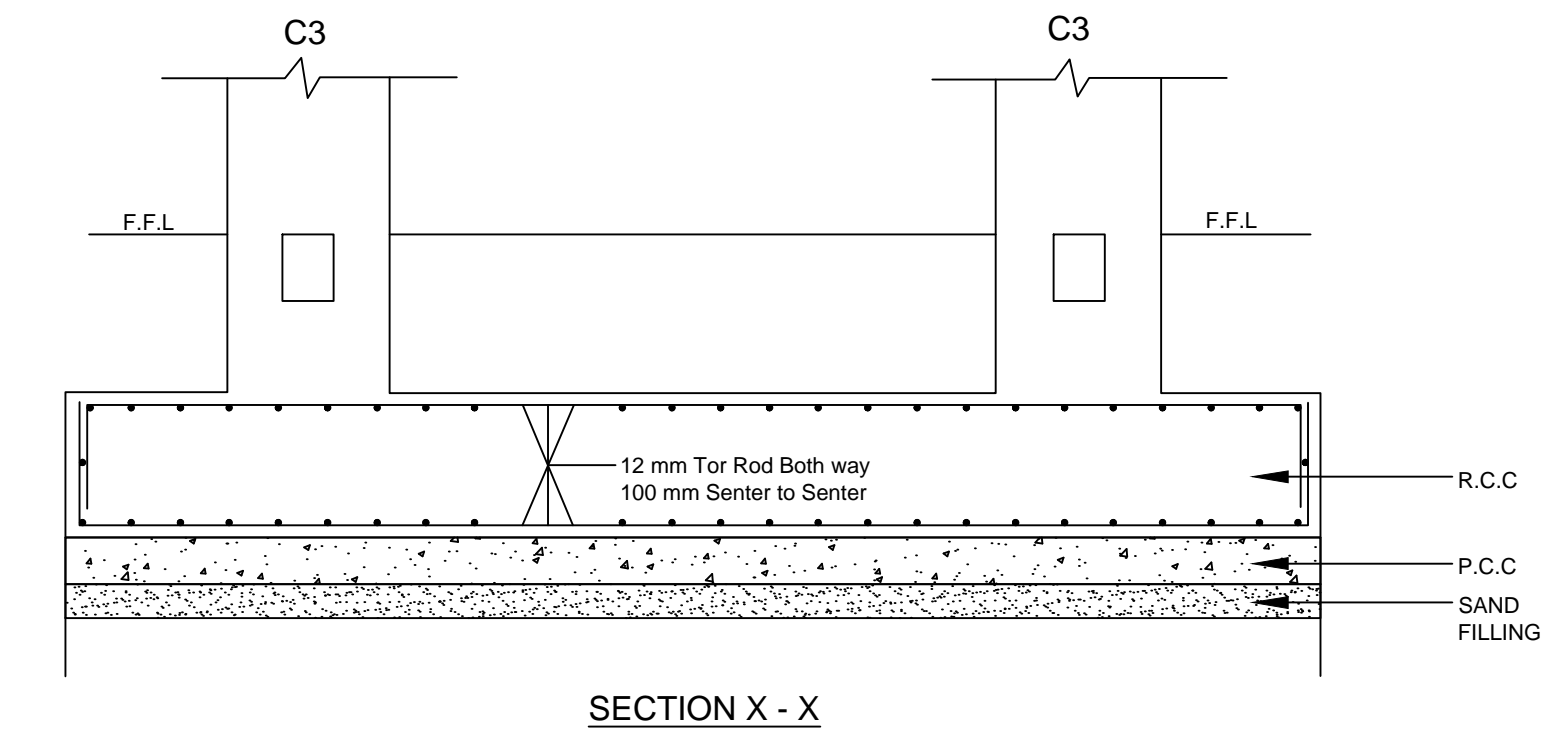


4TH FLOOR.	 6 Nos 16 ∇ 2 SETS	 6 Nos 16 ∇ 2 SETS	 8 Nos 16 ∇ 2 SETS
3RD FLOOR.	 6 Nos 16 ∇ 2 SETS	 6 Nos 16 ∇ 2 SETS	 8 Nos 16 ∇ 2 SETS
2ND FLOOR.	 6 Nos 16 ∇ 2 SETS	 6 Nos 16 ∇ 2 SETS	 4 Nos 20 ∇ 4 Nos 16 ∇ 2 SETS
1ST FLOOR.	 6 Nos 16 ∇ 2 SETS	 6 Nos 16 ∇ 2 SETS	 4 Nos 20 ∇ 4 Nos 16 ∇ 2 SETS
GROUND FLOOR.	 4 Nos 20 ∇ 2 Nos 16 ∇ 2 SETS	 4 Nos 20 ∇ 2 Nos 16 ∇ 2 SETS	 4 Nos 20 ∇ 4 Nos 16 ∇ 2 SETS
BASEMENT FLOOR.	 4 Nos 20 ∇ 2 Nos 16 ∇ 2 SETS	 4 Nos 20 ∇ 2 Nos 16 ∇ 2 SETS	 4 Nos 20 ∇ 4 Nos 16 ∇ 2 SETS
FLOOR NOS.	COL. C1	COL. C2	COL. C3



SIGNATURE OF ENGINEER

ENGINEERS
&
ARCHITECTS

DESIGN PLUS

SARYU APARTMENT, FIRST FLOOR, FLAT NO.-1/C SURYA VIHAR
OPPOSITE CIMFR MAIN GATE, BARTAND, DHANBAD,
MOB.: 9431151303,7004502101.