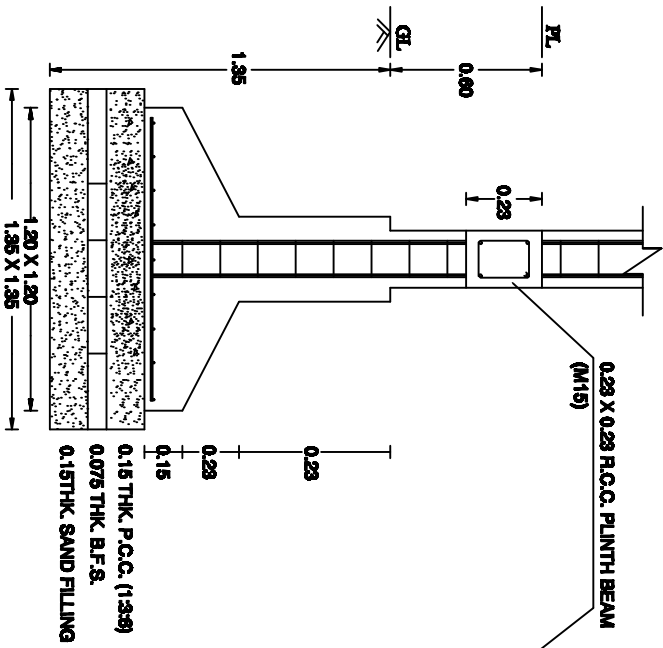
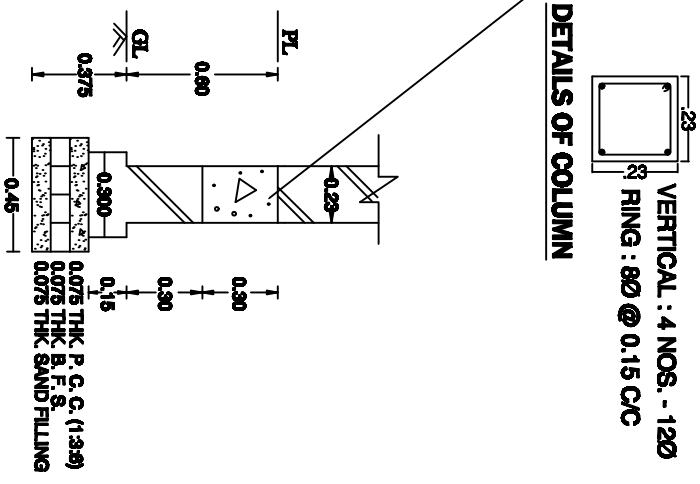


**FOUNDATION PLAN**



**FOUNDATION DETAILS OF COLUMN**



**FOUNDATION DETAILS OF WALL**