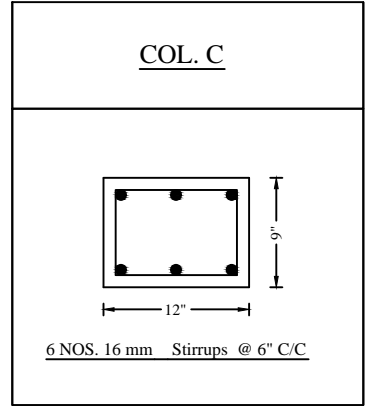
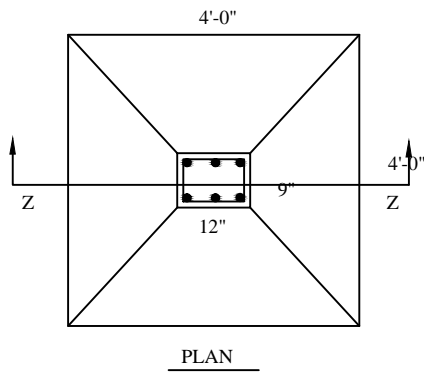
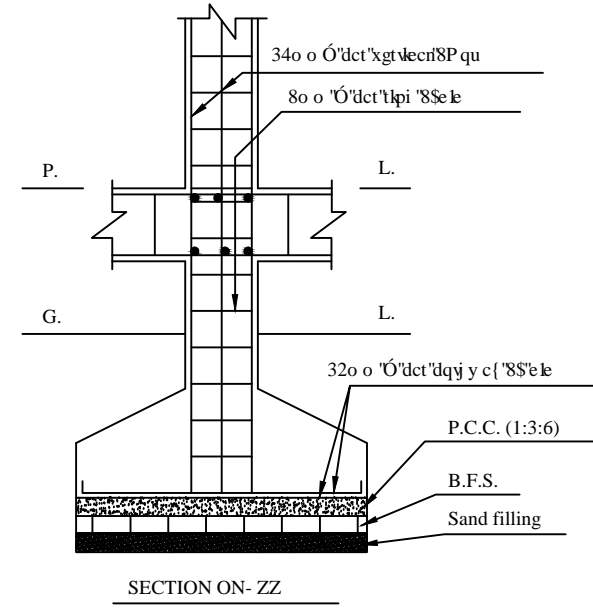


LAYOUT PLAN FOUNDATION AND COLUMN



*DETAILS OF COLUMN FOOTING
SCALE :- 1" = 2'-0"

SIGNATURE OF ENGINEER

ENGINEERS & ARCHITECTS	DESIGN PLUS
------------------------------	--------------------

SARYU APARTMENT , FIRST FLOOR, FLAT NO.-1/C SURYA VIHAR
OPPOSITE CIMFR MAIN GATE, BARTAND, DHANBAD,
MOB.: 9431151303,7004502101.