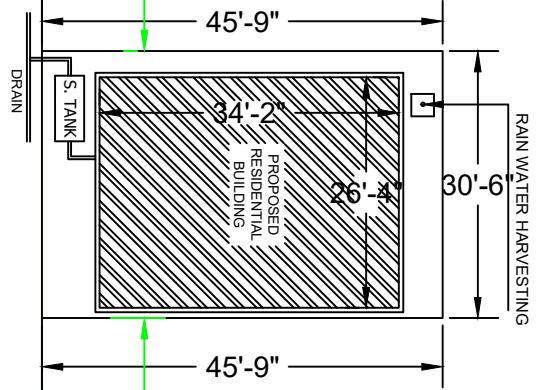


BR ROAD

4.57 MT WIDE BR ROAD

30.45 MT



30.45 MT

BR ROAD

LOCATION PLAN

TAIL